

Tamerica V2000-PRO Hot Knife Velobind Style Binding Machine

Instruction Manual



Provided by

MyBinding.com

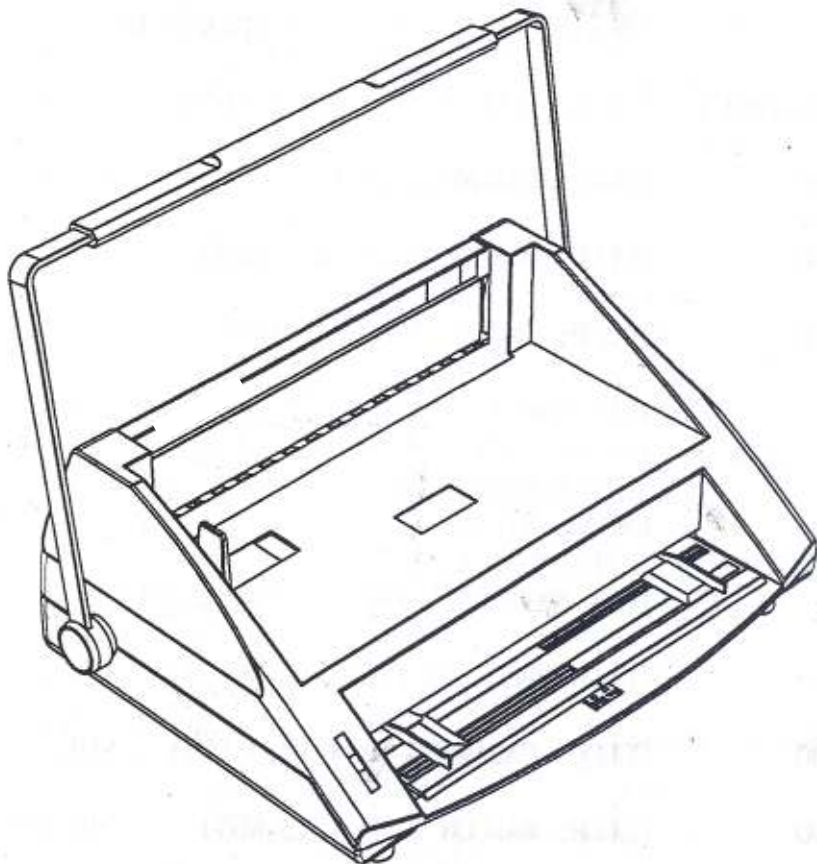
When Image Matters.

Call Us at 1-800-944-4573

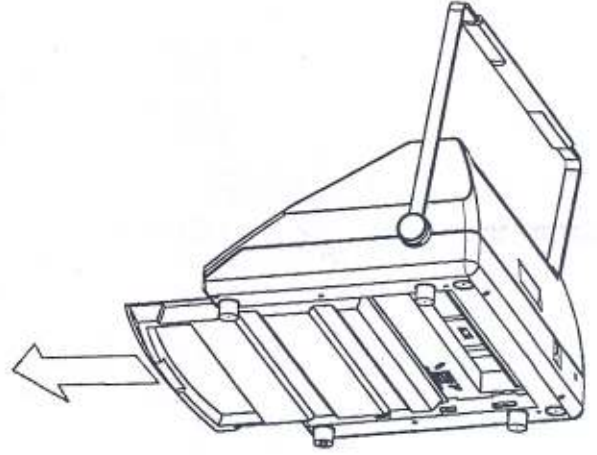
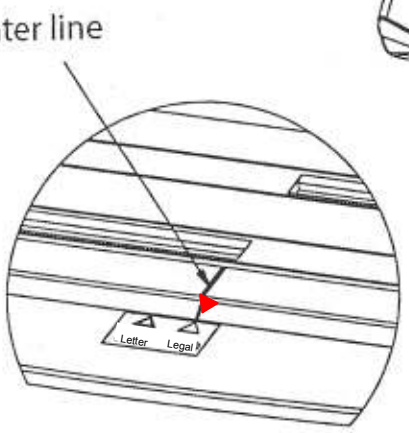
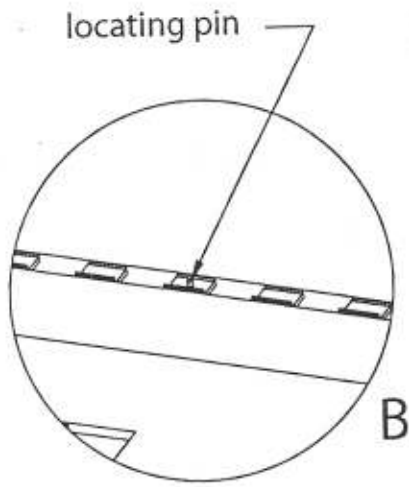
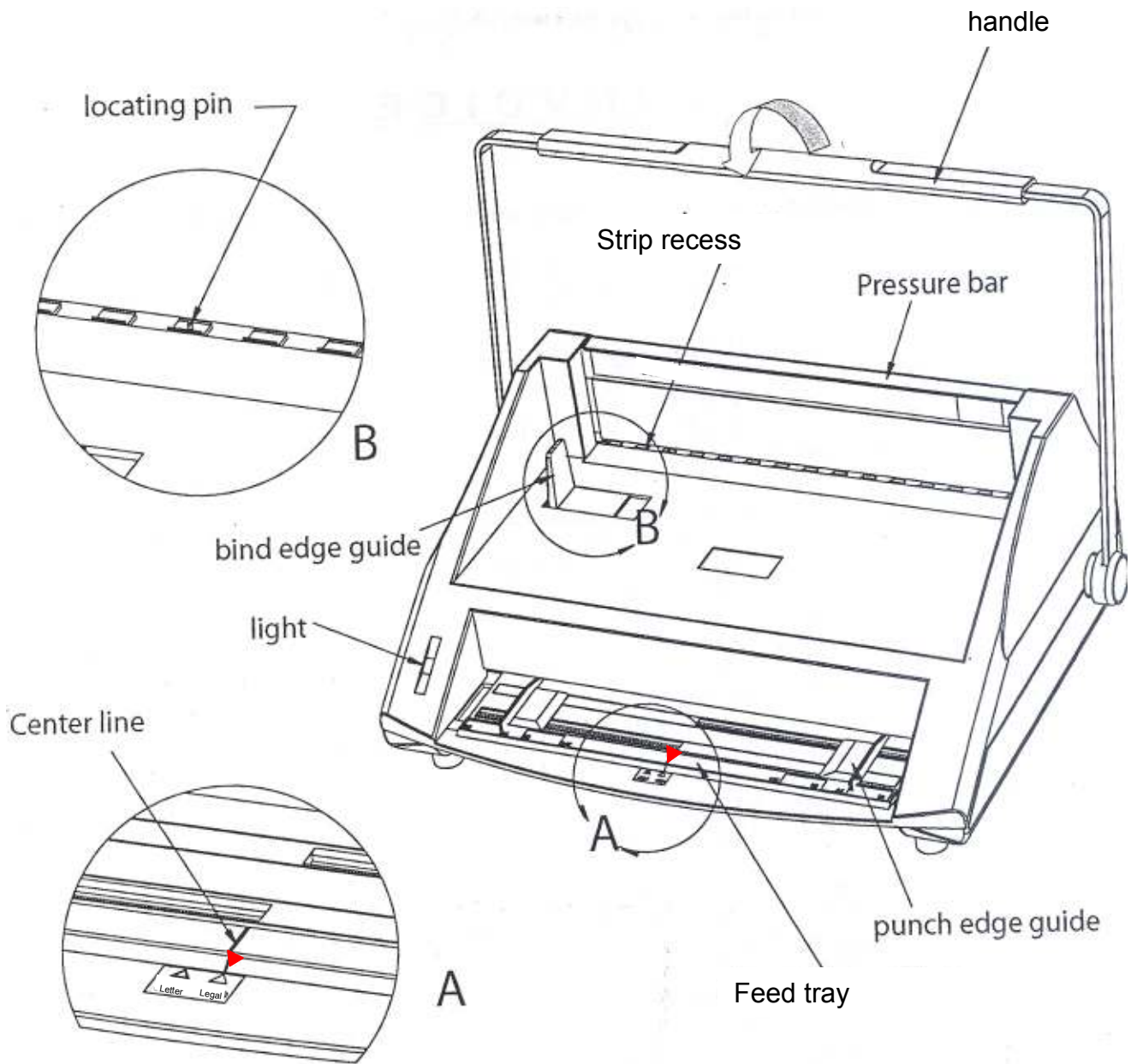


V2000-PRO

SecureBindTM



Operating Manual



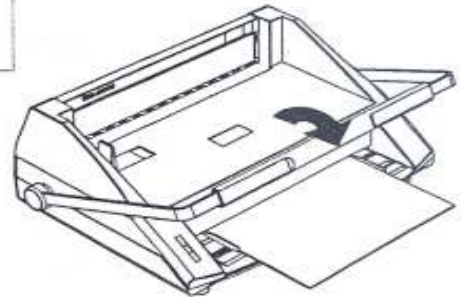
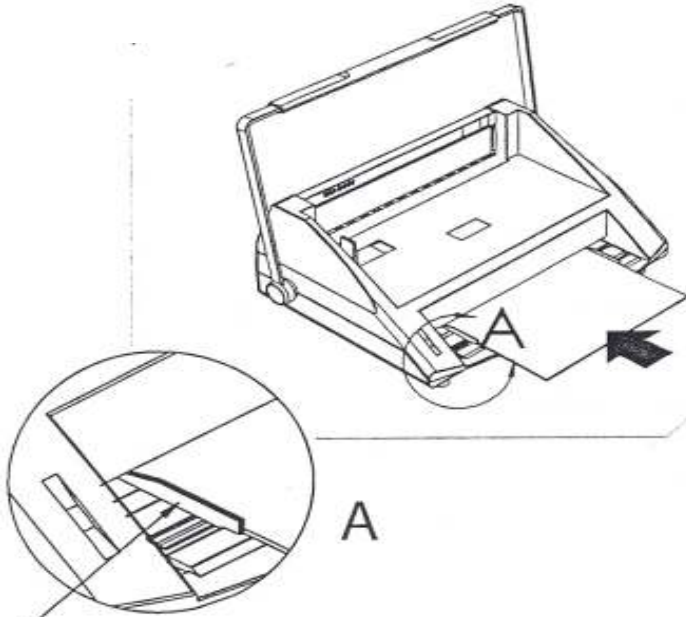
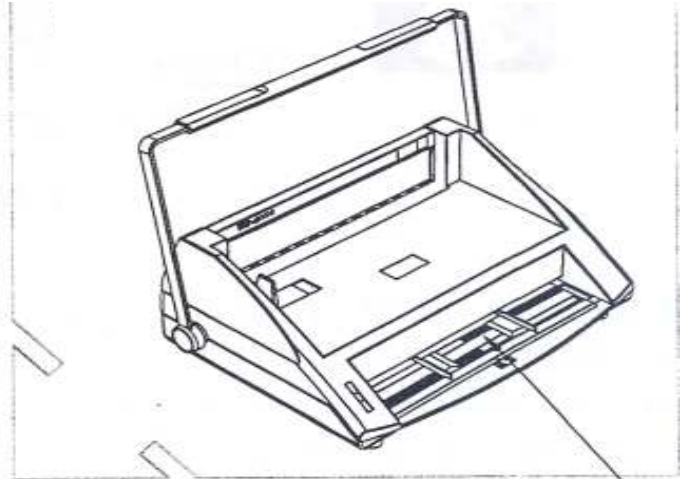
Waste bin

Punching

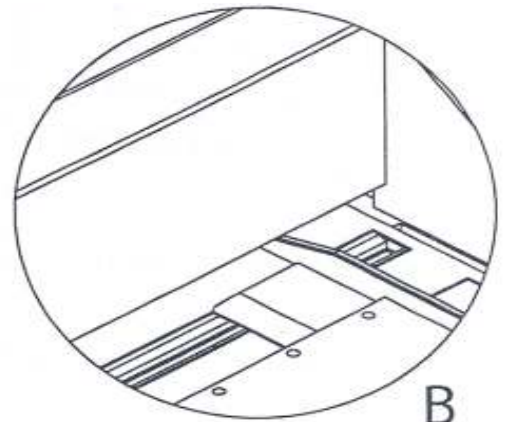
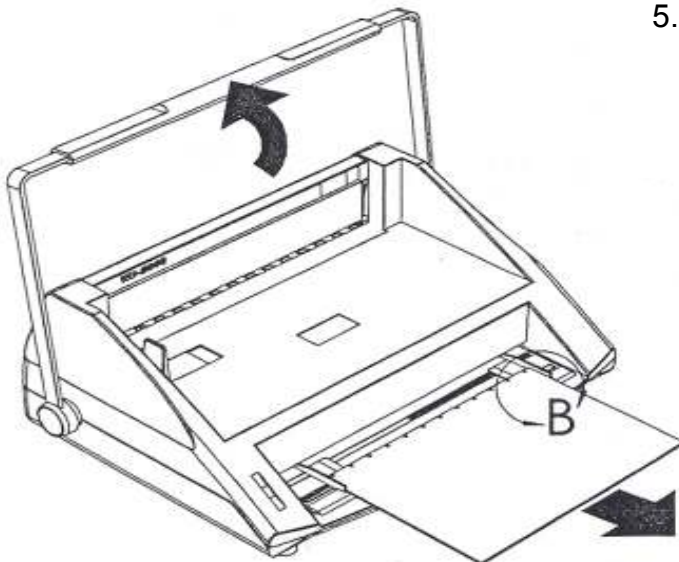
2. After adjusting the punch edge guide accordingly, insert the sheets to be punched.

Note: When punching thicker and rigid materials such as vinyl, composition, pvc and polypropylene covers, punch only (1) sheet at a time.

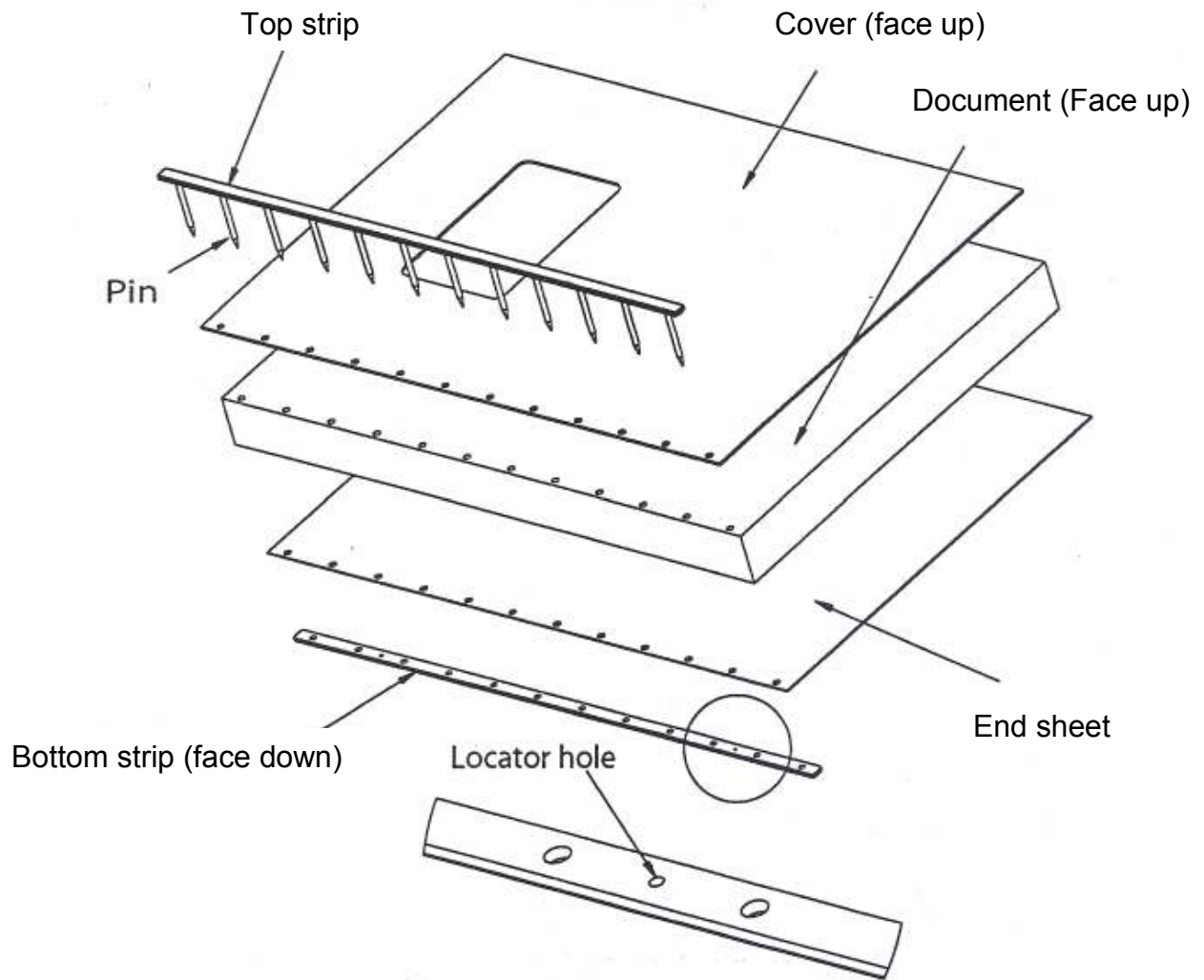
1. Raise the handle to starting position
Slide the punch edge guide using the red arrow to set it on "Letter" or "Legal".



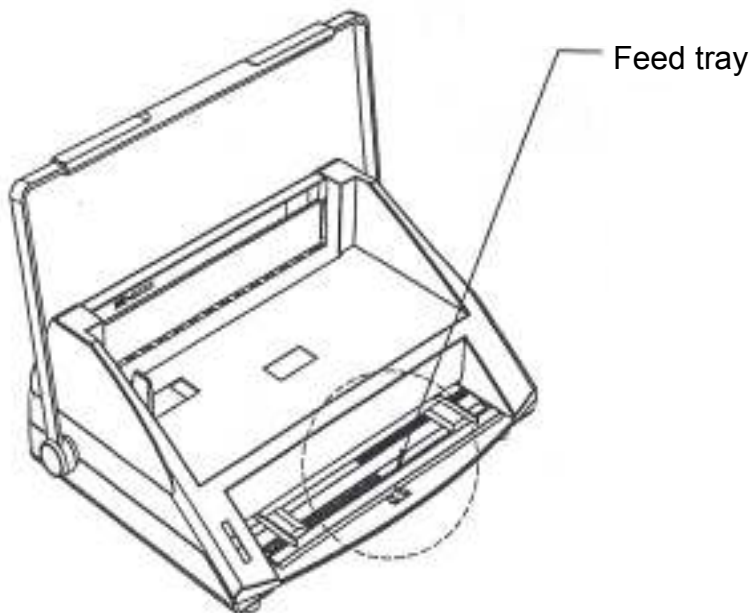
3. Pull the handle to punch the sheets.
4. Raise the handle to remove the sheets.
5. Please make sure to discard punched debris in the waste bin regularly.
Punching with a full waste bin will damage the machine.



Document Assembly



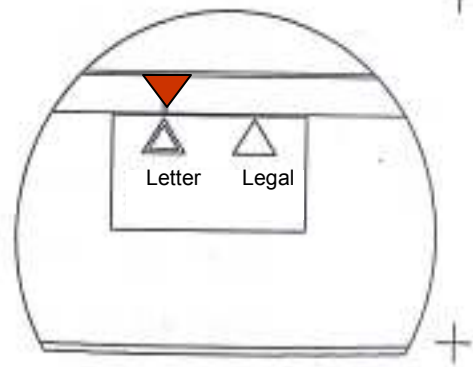
Feed Tray Adjustment



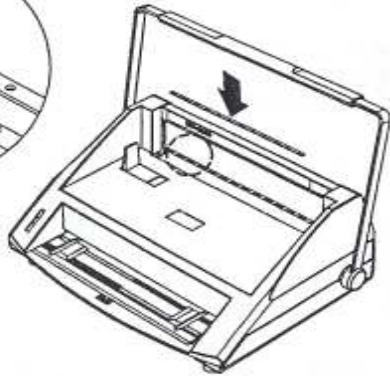
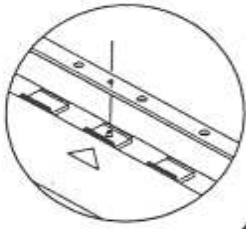
Maximum Punching Capacity: 20 sheets of 20 lb paper (75 gsm)

Maximum Punching/ Binding Length: 14" (360 mm)

When punching letter size documents, make sure that the center line using the red arrow on the feed tray is on "Letter". When punching legal size documents slide the red arrow to "Legal". The punched holes will not be aligned if this is not followed.

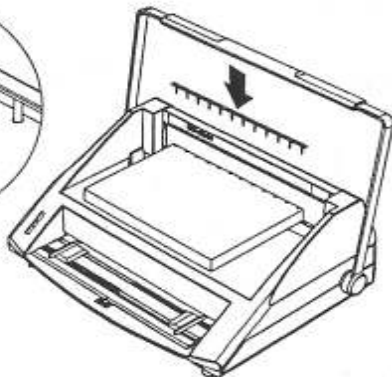
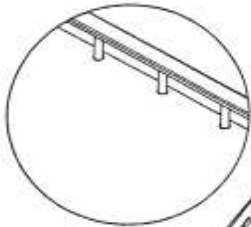
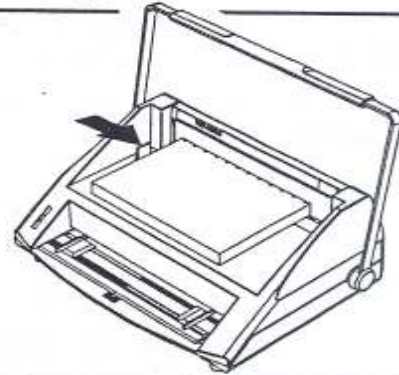


Binding



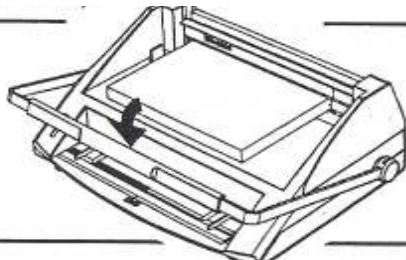
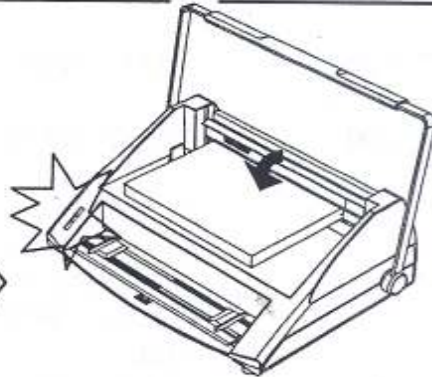
1. Check if the binding edge guide is aligned – Insert an assembled top and bottom strip with a sheet of aligned & punched paper. Adjust the binding edge guide by sliding the guide to the edge of the paper.

2. Place the bottom strip (textured side faced down) on the strip recess. Make sure that the locator hole is attached to the locating pin. Lay the sheets to be bound on top of the bottom strip. (Please refer to top photo for correct document assembly) The correct size of top strip is determined by using the scale on the backstop to determine the thickness of the document to be bound.

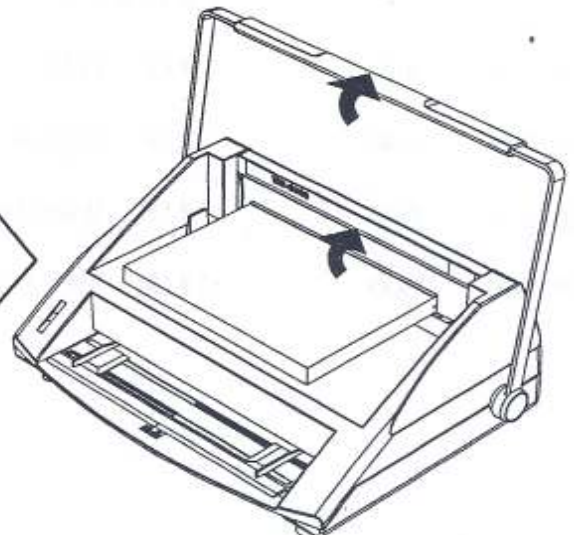


3. Insert the correct top strip firmly on to the document to be bound.

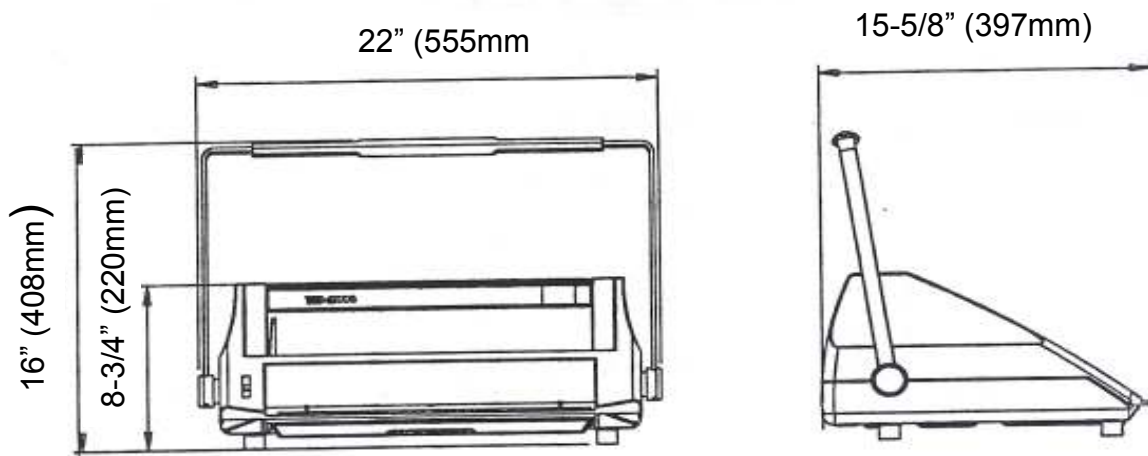
4. Place the pressure bar firmly on the document. The ready light will turn on indicating that the machine is ready for binding.



5. Pull down the handle firmly on the document. After holding down the handle for at least 8 seconds, the light will turn off indicating that the binding cycle is complete. You may hear cutting of the pins during the binding cycle. Raise the handle and then pressure bar. Slide the bound document towards yourself to cut off pins that may still be slightly attached to the strip.



Specifications



Punching Capacity: 14" (360mm) long X 1/8" (3mm) thick

Binding Capacity: 14" (360mm) long X 2" (50mm) thick

Power Supply: 110V (60Hz) Fuse: 10 amp / 220V (50Hz) Fuse: 5amp

Machine Dimensions:

Width: 22" (555mm)

Depth: 15-5/8" (397mm)

Height: 8-3/4" (220mm) handle down

16" (408mm) handle up

Shipping Dimensions:

Width: 23" (580mm)

Depth: 17-5/8" (440mm)

Height: 9-5/8" (245mm)

Weight: 35.2 lbs (16kg)



SecureBindTM

WARRANTY

SecureBindTM equipment is guaranteed against defects in materials and workmanship for a period of one year from the date of the original purchase from an authorized dealer.

This guarantee covers all defects incurred in the normal use of the equipment, except in the following cases:

1. Loss or damage to the equipment due to improper operation, abuse, mishandling, or failure to follow the operating instructions
2. Removal or alteration of the serial number.
3. The machine being serviced or modified by anyone other than a certified technician.

When returning the equipment, simply send it to your dealer, providing the serial number, and the date of purchase. Your dealer will handle all of the details.

This warranty expresses the entire obligation of Tamerica Products, Inc. Unless prohibited by law, neither this warranty nor any other warranty expressed or implied, including implied warranties of merchantability, shall extend upon this warranty period. No responsibility is assured for incidental or consequential damages.

This warranty is valid only within the United States, or its provinces and territories.