

Standard PC-450

Semi Automatic 17.5" Electric Paper Cutter

Parts List



Provided by

MyBinding.com
When Image Matters.

Call Us at 1-800-944-4573

PARTS MANUAL

Standard Horizon PC-45 Cutter

Read this manual, and thoroughly familiarize yourself with its contents before operating or servicing this equipment.

PC45/PM





Important Information

This parts book is designed to help you to have easy access to a part or parts you need. Whenever you need to locate a part or parts of the machine involved in repair, service or for some other reason, please use this Parts Book as a guide source reference.

When ordering a part or parts, please be sure to give us the following parts information.

1. Quantity
2. Parts No.
3. Model Name
4. Machine Serial Number

(Example)

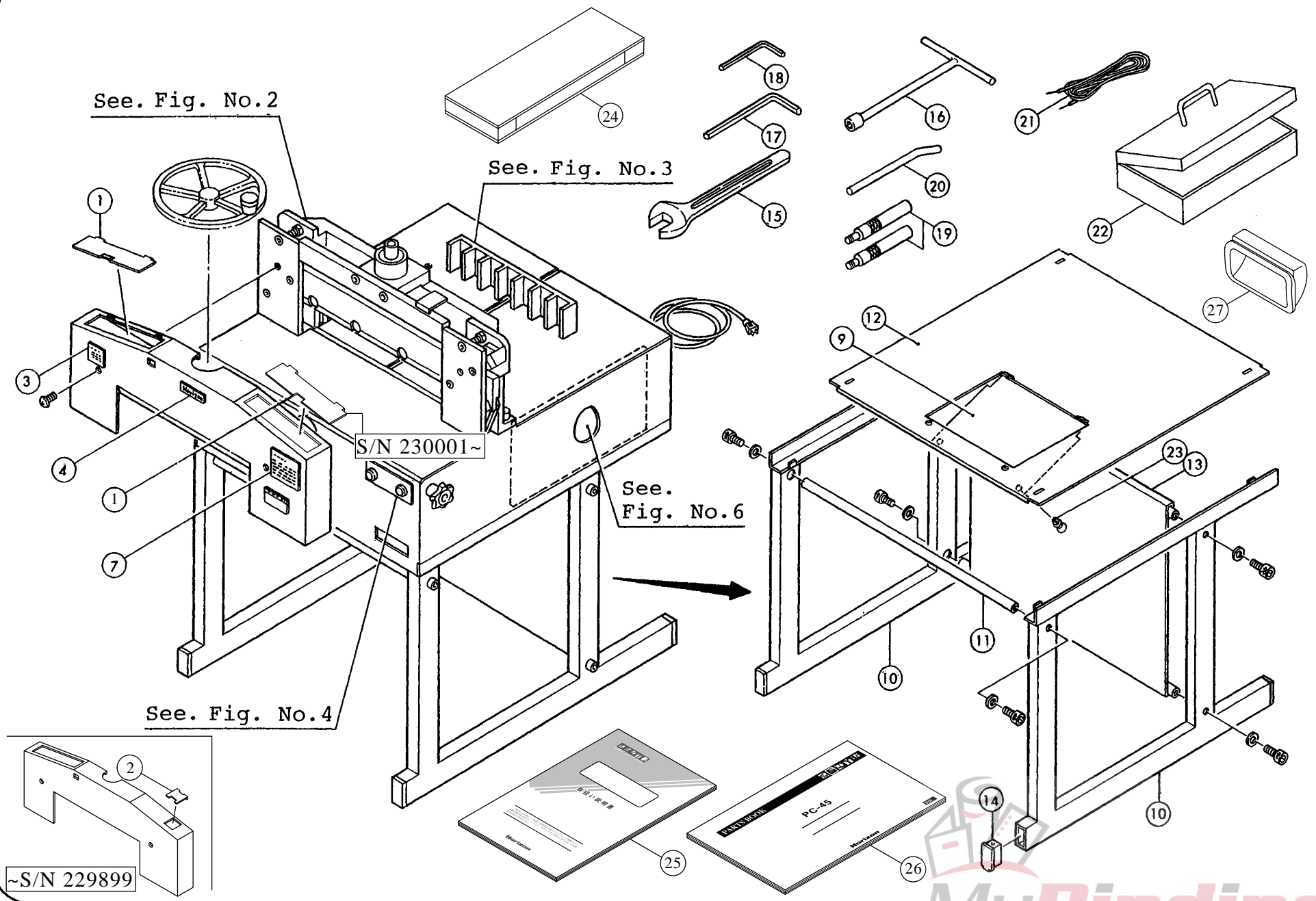
<u>Qty</u>	<u>Parts No.</u>	<u>Model</u>	<u>S/N</u>
2	M009999-99	ABC-12	001001

In the Remark column, additional information is provided with abbreviation style. Please check the Remark column to find necessary parts.

(Abbreviation)

IND.1-10	Assembled parts using parts through Ind.1 to 10
S/N From	Parts applied to machines from stated S/N
S/N To	Parts applied to machines up to stated S/N
400V	Only for 400V Machine
230V	Only for 230V Machine
220V	Only for 220V Machine
200V	Only for 200V Machine
115V	Only for 115V Machine
100V	Only for 100V Machine
mm	Only for mm Version
inch	Only for inch Version
Compatible	Compatible with Mxxxx-xx

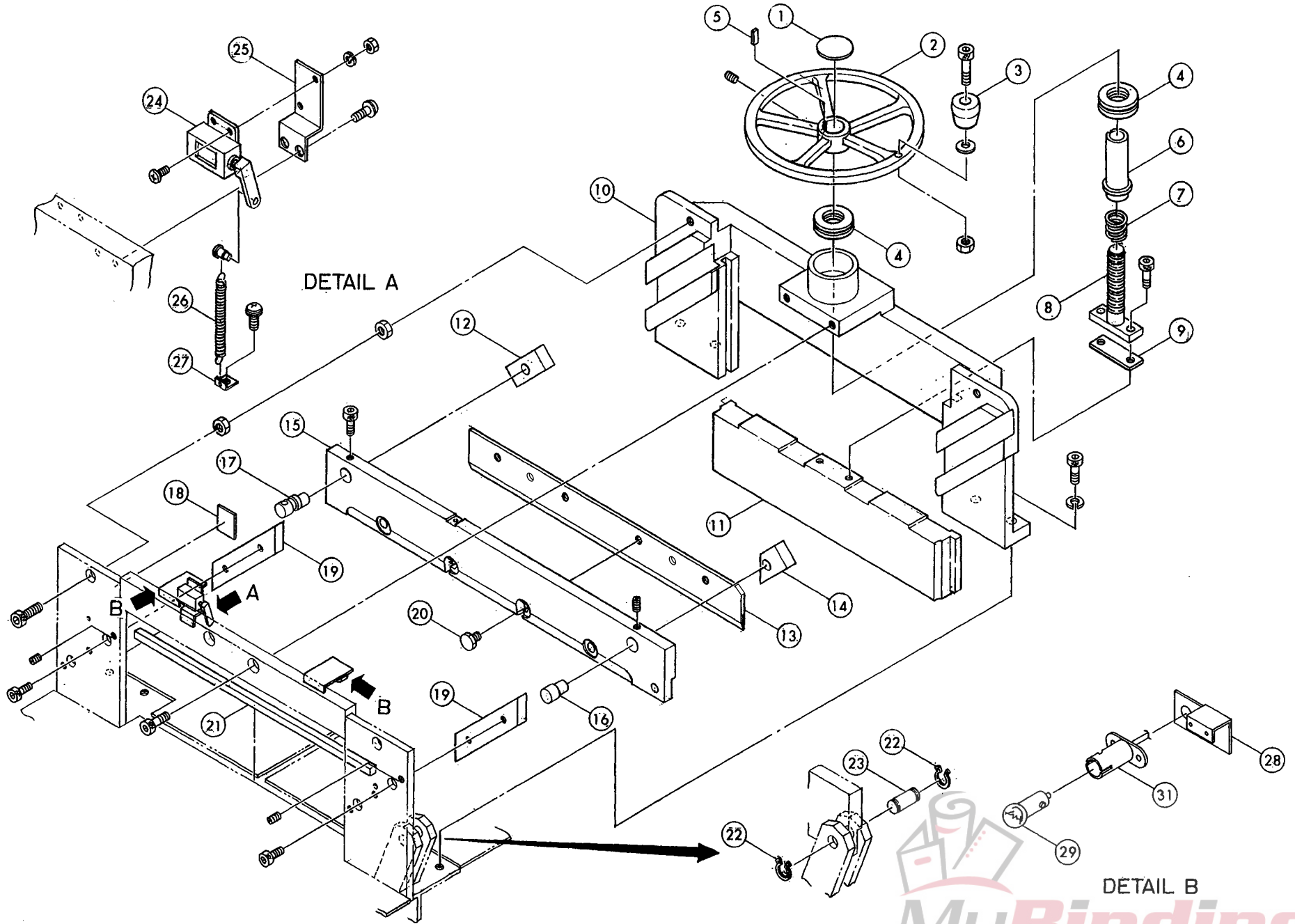




PC-45

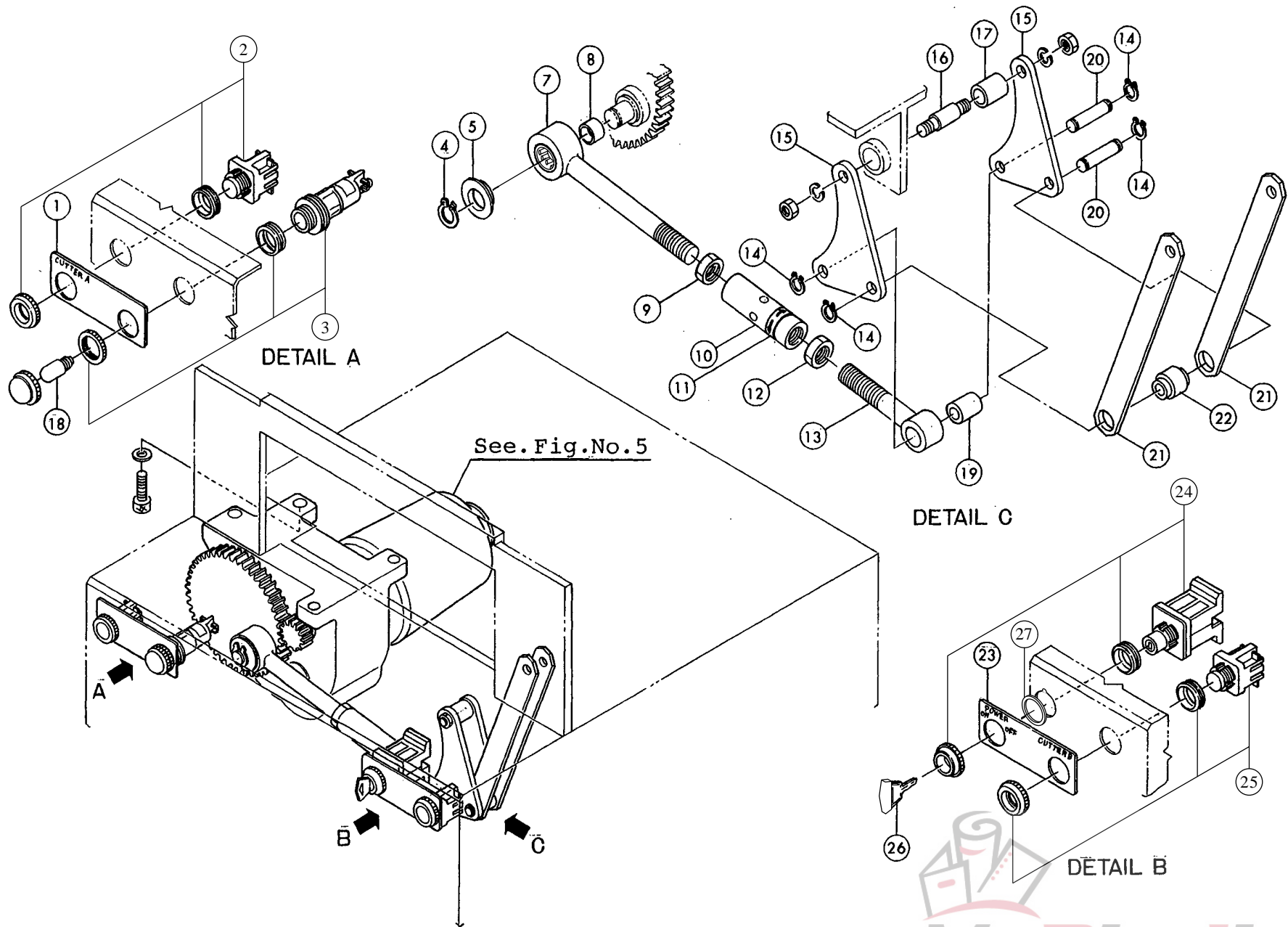
INDEX	Parts No.	Description	Qty	Price	S/N From	To	Remarks
1	M007119-00	DOOR	2				5031-2055
2	M007122-00	DOOR	1			229899	5031-2066
3	4001533-00	CAUTION LABEL	1				
4	4001167-00	BRAND PLATE	1				QQS-101
7	4001535-00	CAUTION LABEL	1				
9	M007449-02	LID	1				5031-4105
10	M007437-01	LEFT LEG	1				5031-4101
10	M007438-01	RIGHT LEG	1				5031-4101
11	M007445-03	STAY	2				5031-4102
12	M007448-03	COVER	1				5031-4104
13	M007446-05	BACK PLATE	1				5031-4103
14	M001997-01	CAP	4				
15	4001745-00	SPANNER	1				S-30
16	4004368-00	BOX WRENCH	1				T-17
17	4001744-00	ALLEN WRENCH	1				6 mm
18	4001439-00	ALLEN WRENCH	1				4 mm
19	M007396-03	KNIFE HOLDER	2				5031-2061
20	M007217-10	ADJUS BAR	1		002001		
21	L50-G3000	LEAD WIRE	1				
22	4000965-00	BAG	1				
22	4003344-00	TOOL BOX	1				
23	M001999-01	THUMB SCREW(M4)	1				
24	M007425-01	CUTTER BOX	1				
25	UM204005	OPERATION MANUAL	1				
26	UB704001	PARTSBOOK	1				
27	M118303-01	HANDLE	4		237001		
27	M118303-01	HANDLE	4		235020	235020	



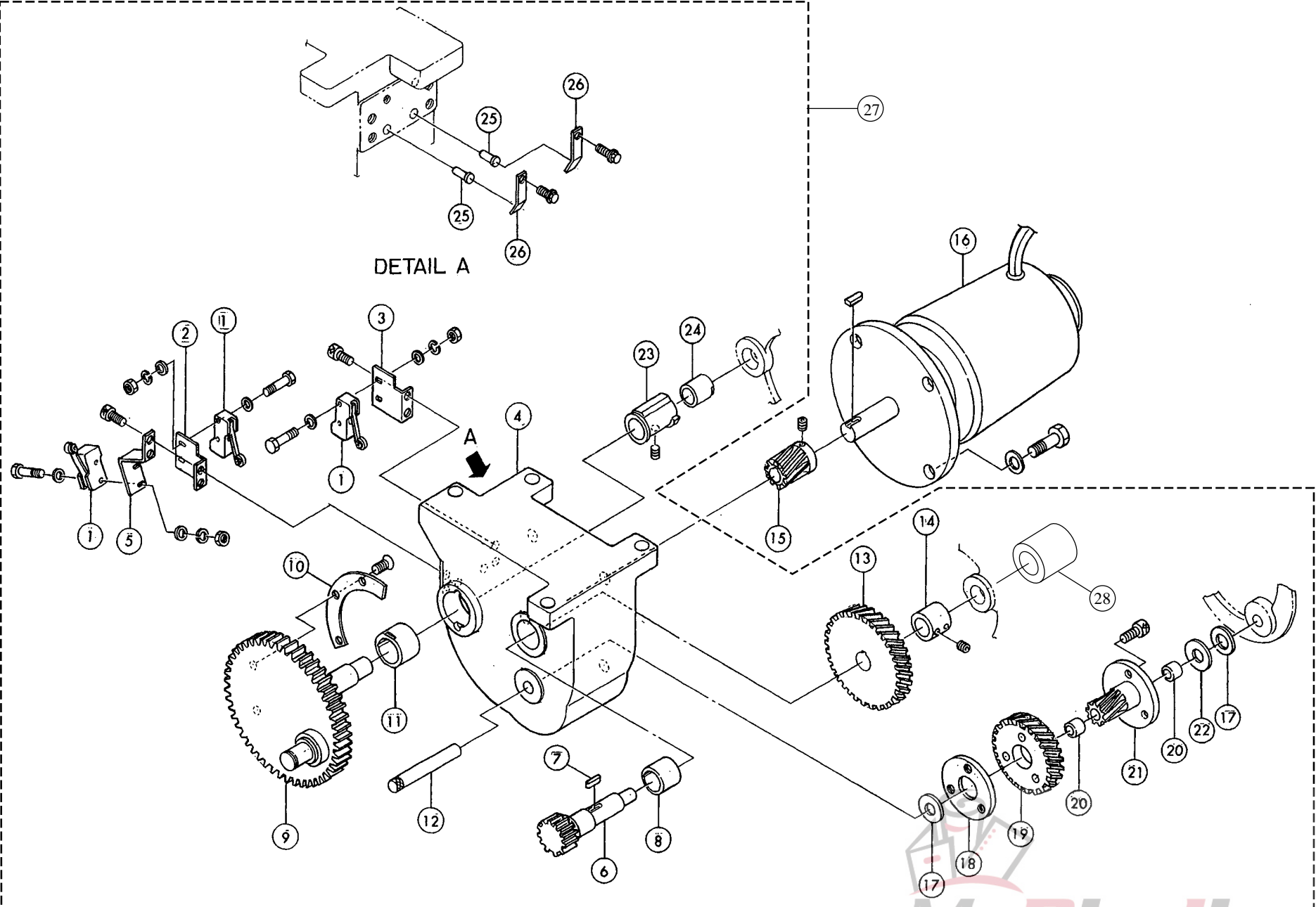


INDEX	Parts No.	Description	Qty	Price	S/N From	To	Remarks
1	M007131-01	CAP	1				5031-2049
2	M007382-02	CLAMP HANDLE	1				5031-2047
3	M001725-00	KNOB	1				MWE-110
4	4004341-00	THRUST BEARING	1				51206
5	M007343-00	KEY	1				5031-2006
6	M007341-06	SCREW SHAFT	1				5031-2004
7	M007342-02	CUSHION SPRING	1				5031-2005
8	M007338-00	SCREW	1				5031-2003
9	M007405-01	SPACER	1				5031-2069
10	M007336-09	CUTTER GUIDE BODY	1				5031-2001
11	M007337-10	PAPER CLAMP PLATE	1				5031-2002
12	M007406-02	SLIDER(L)	1				5031-2070
13	M007381-05	CUTTER	1				5031-2046
14	M007054-01	SLIDER(R)	1				5031-2008
15	M007345-07	CUTTER HOLDER	1				5031-2007
16	M007348-00	SLIDE PIN	1				5031-2009
17	M007349-01	EXCENTRIC SHAFT	1				5031-2010
18	4000491-00	LABEL	1				QQT-134
19	M007350-01	ADJUSTING PLATE	2				5031-2011
20	M007394-02	FITTING BOLT	1				5031-2057
21	M007407-02	CUTTING STICK	1				5031-2071
22	STW-13	SNAP RING	2				
23	M007351-01	JOINT PIN	1				5031-2012
24	4004361-00	COUNTER	1				RS-204-4
25	M007380-03	BRACKET	1				5031-2044
26	M007383-00	SPRING	1				5031-2050
27	M007399-02	HOOK	1				5031-2065
28	M007395-02	BRACKET	1				5031-2058
29	4002666-00	LAMP	1				24V12W
31	A950305-00	LAMP HOLDER	1				MDE-105

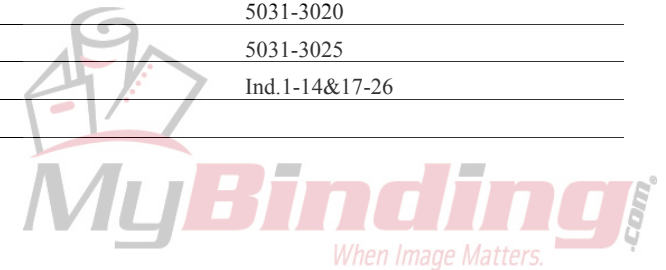
INDEX	Parts No.	Description	Qty	Price	S/N From	To	Remarks
2	A950805-00	HANDLE	1				MWC-103B
3	M001722-02	INDICATOR(M/M)	1				MWS-128
5	M007365-02	CLAMP BAR	1				5031-2026
6	STW-10	SNAP RING	1				
7	M007088-00	CLAMP KNOB	1				5031-2064
8	M007378-05	BACK GUAGE	1				5031-2041
11	M007402-01	SPACER	1				5031-2067 (t=0.1)
11	M007403-01	SPACER	1				5031-2067 (t=0.2)
11	M007404-01	SPACER	1				5031-2067 (t=0.3)
12	M007377-08	BRACKET(M/M)	1				5031-2040
13	M007367-02	GUIDE BAR	1				5031-2028
14	A950302-00	FEED SCREW(M/M)	1				5031-2027
15	A950306-00	SCALE(Inch)	1				inch
17	M007371-00	COLLAR	1				5031-2031
18	4004340-00	THRUST BEARING	1				51104
19	M007205-00	BRACKET	1				5031-2038
20	M001848-01	PULLEY	1				MTD-110
21	ETWJ-7	SNAP RING	1				
22	M007372-02	BRACKET	1				5031-2032
23	M007384-02	SPRING	1				5031-2051
24	M007084-02	BLOCK	1				5031-2025
25	M007085-00	METAL	1				5031-2063
26	M007371-00	COLLAR	1				5031-2031
27	M007368-02	BLACKET	1				5031-2029
28	M007370-02	PLATE	1				5031-2030
29	ETWJ-6	SNAP RING	2				
30	A950801-00	LENS	1				MFC-105
31	M007090-01	PULLEY SHAFT	1				5031-2033
32	M007091-02	PULLEY	1				5031-2037
33	M001829-04	BLOCK	8				

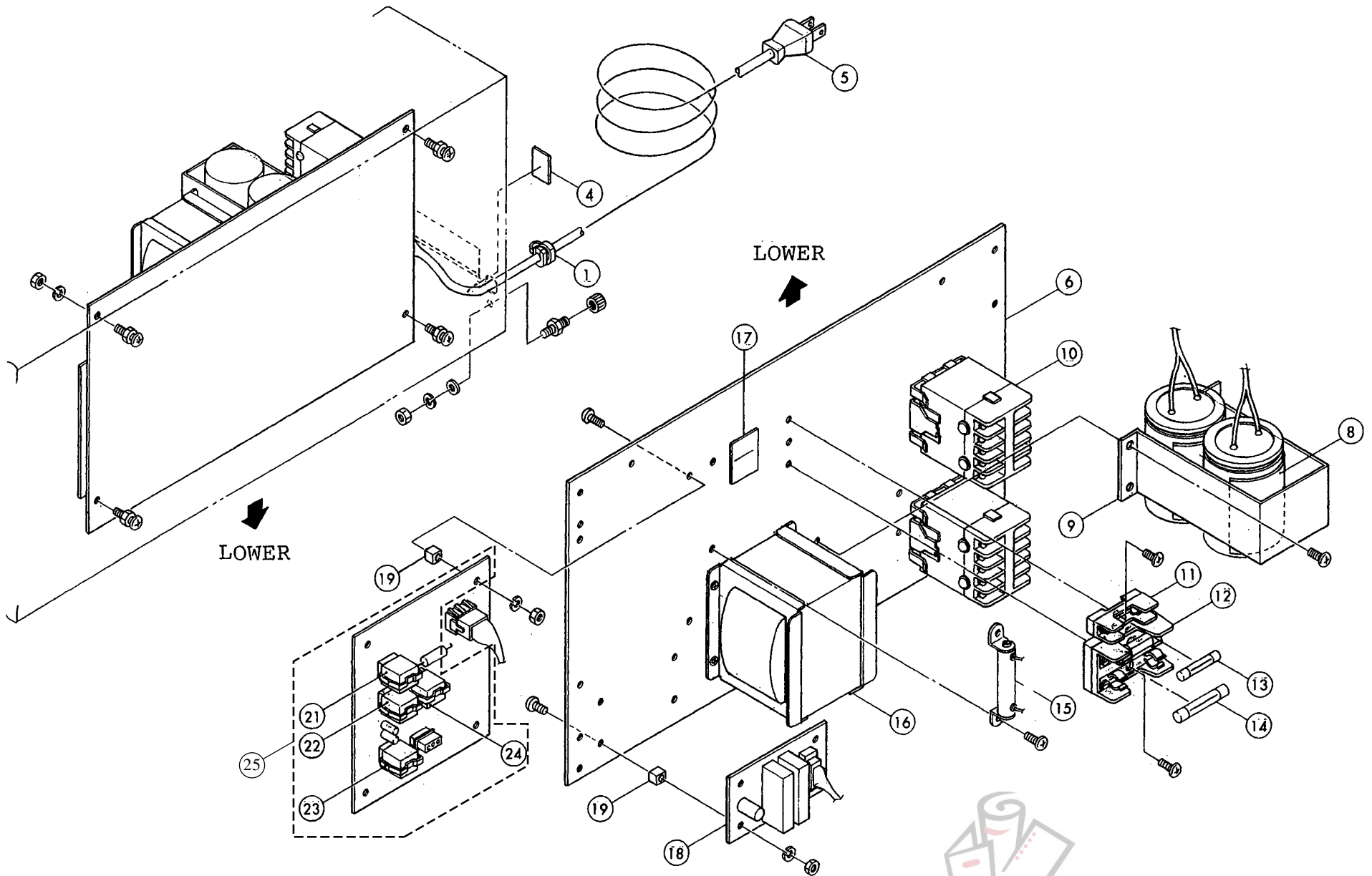


INDEX	Parts No.	Description	Qty	Price	S/N From	To	Remarks
1	4000047-01	INDICATOR PLATE	1				QQA-137A
2	4004365-01	PUSH BUTTON SWITCH	1				ABN2F31-R 120/230V
3	AIDNC-511	PILOT LAMP SOCKET	1			060030	
4	STW-20	SNAP RING	1				
5	M007083-00	SPACER	1				5031-2024
7	A950303-00	CRANK ROD	1				5031-2020
8	4004543-00	INNER RING	1				FIR-202520
9	N-20(R)	HEX NUT(R)	1				
10	M007082-01	TURN BUCKLE	1				
11	4000492-00	LABEL	1				QQT-135
12	N-20(L)	HEX NUT(L)	1				
13	M007075-00	CRANK ROD	1				5031-2016
14	STW-13	SNAP RING	4				
15	M007074-00	LINK	2				5031-2015
16	M007359-00	FULCRUM PIN	1				5031-2019
17	M007358-02	METAL	1				5031-2018
18	4002666-00	LAMP	1		062001		E12-24V12W
18	E2-1	LAMP(120V 7W)	1			061899	
19	M007357-01	METAL	1				5031-2017
20	M007363-04	PIN	2				5031-2021
21	M007352-01	LEVER	2				5031-2013
22	M007070-00	METAL	1				5031-2014
23	4000318-00	INDICATOR PLATE	1				QQA-136
24	4004369-00	SELECT SWITCH	1				AHEJ 2A
25	4004364-01	PUSH BUTTON SWITCH	1				ABN2F22-R 120/230V
26	M002056-00	KEY	2				
27	4018010-00	LOCK RING	1		234001		

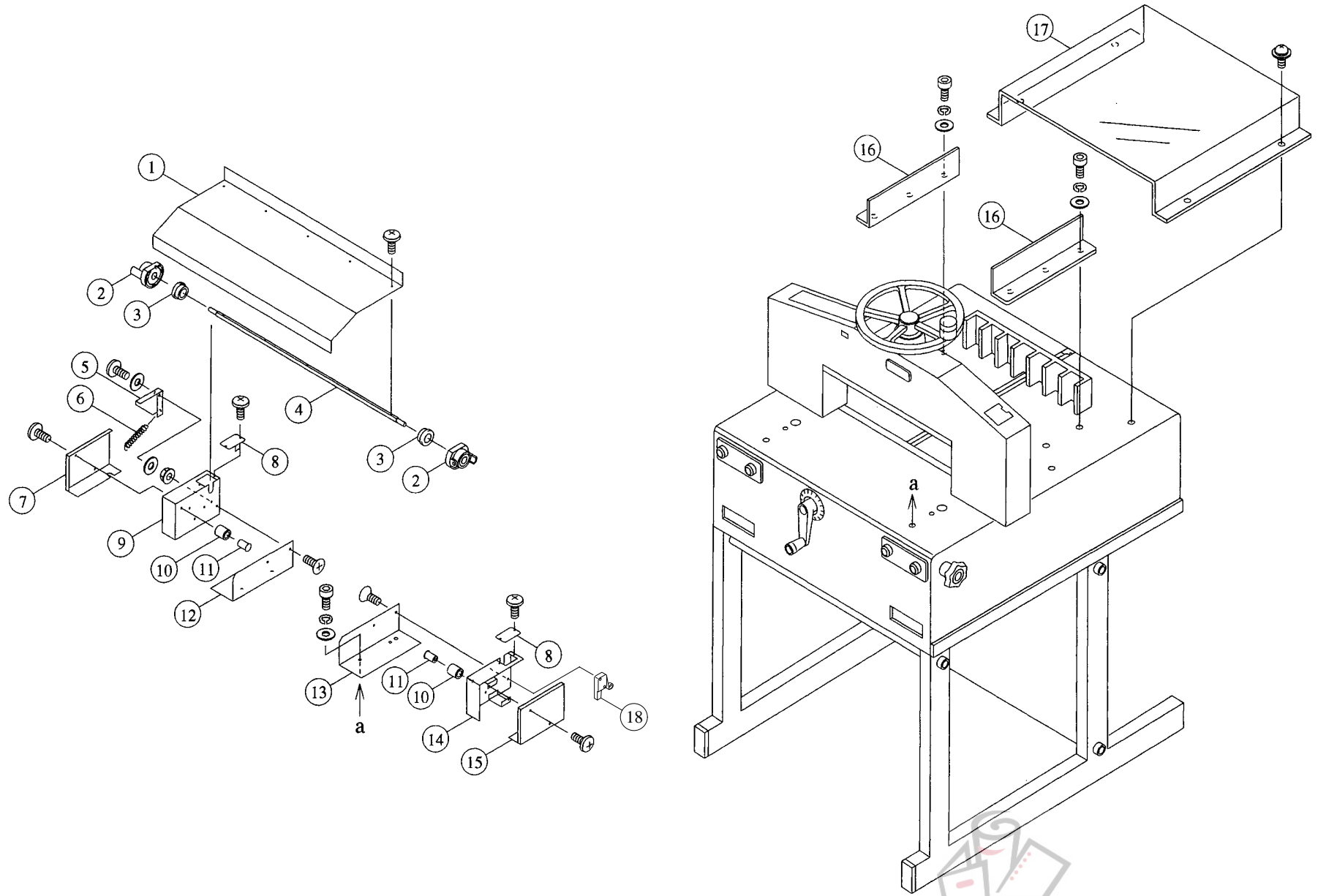


INDEX	Parts No.	Description	Qty	Price	S/N From	To	Remarks
1	4004354-00	LIMIT SWITCH	3				
2	M007181-00	HOLDER(RH)	1				5031-3021
3	M007182-00	HOLDER(LH)	1				5031-3021
4	M007408-07	GEAR BOX	1				5031-3001
5	M007436-02	SWITCH HOLDER	1				5031-3027
6	M007418-04	MID GEAR	1				5031-3069
7	M007420-01	KEY	1				5031-3011
8	M007430-01	BUSHING	1				5031-3019
9	M007422-01	CRANK GEAR	1				5031-3013
10	M007435-02	DETECTION PLATE	1				5031-3026
11	M007427-04	METAL	1				5031-3016
12	M007415-02	SHAFT	1				5031-3006
13	M007419-03	GEAR	1				5031-3010
14	M007421-01	SPACER	1				5031-3012
15	M007409-05	DRIVE GEAR	1				5031-3002
16	4004373-00	MOTOR(120V)	1				
16	4004374-00	MOTOR(230V)	1				
17	M007434-02	SPACER	2				5031-3007
18	M007414-00	FLANGE	1				5031-3005
19	M007410-03	FIRST GEAR	1				5031-3003
20	M007417-01	BUSHING	2				5031-3008
21	M007411-00	SECOND GEAR	1				5031-3004
22	M007416-00	SPACER	1				
23	M007178-03	CAM BASE	1				5031-3015
24	M007429-01	METAL	1				5031-3018
25	M007180-01	PUSH ROD	2				5031-3020
26	M007183-02	LEAF SPRING	2				5031-3025
27	A950304-00	REDUCER UNIT	1				Ind.1-14&17-26
28	M007428-01	SHAFT	1				





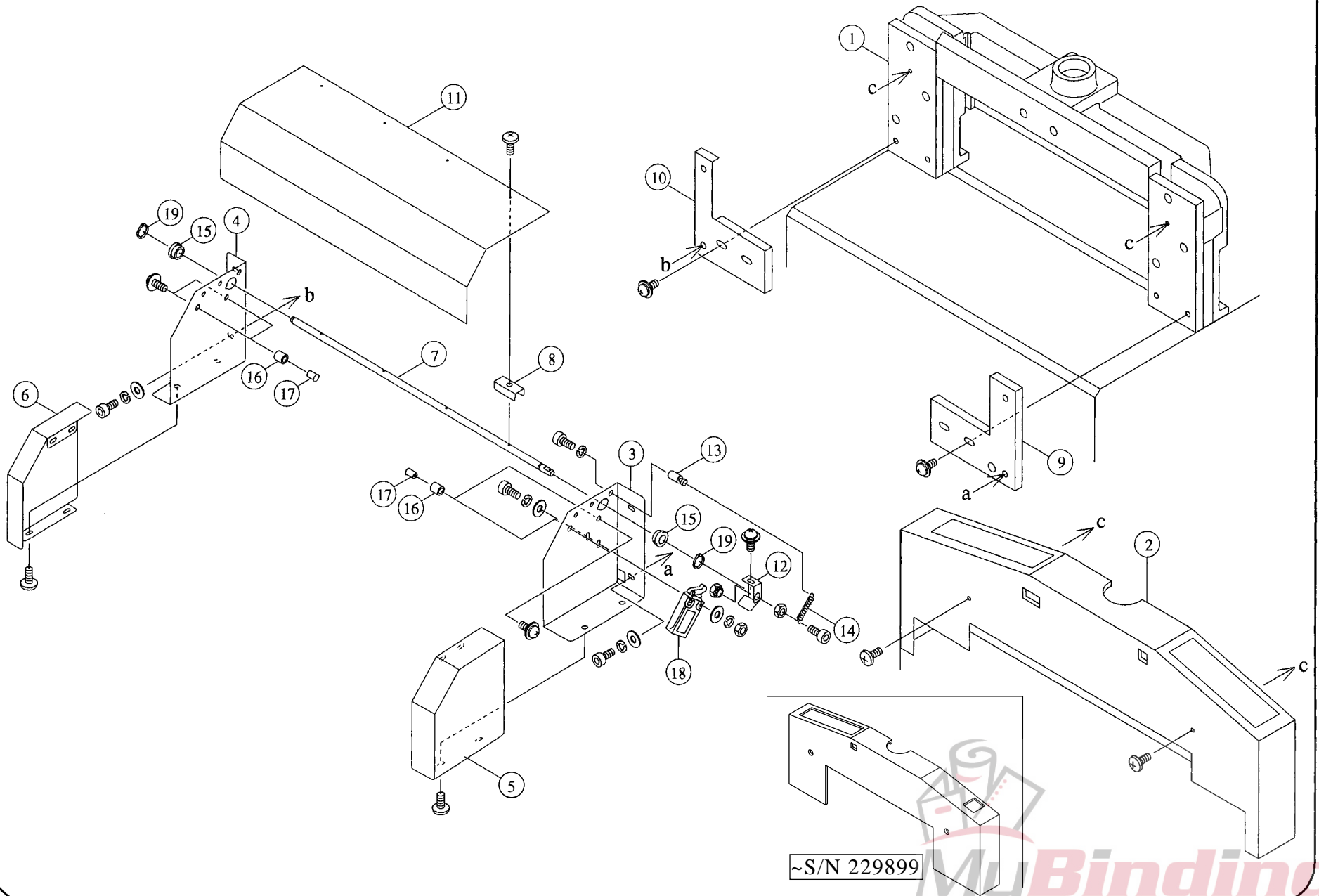
INDEX	Parts No.	Description	Qty	Price	S/N From	To	Remarks
1	4000947-00	CABLE CLAMP	1				6P3-6
4	4000533-00	EARTH PLATE	1				QQT-188
5	4001228-00	POWER CORD	1				230V
5	4002641-00	POWER CORD	1				120V
5	A950308-00	CORD	1				100V
6	M007215-06	CHASSIS	1				5031-5001
8	M007229-02	PROTECTION PLATE	1				5031-5018
9	M007458-03	BRACKET	1				5031-5017
9	M007459-03	BRACKET(L)	1				5031-5017
10	4004353-00	CONTACTOR	1				BWZ4141
11	4001947-00	FUSE HOLDER	1				F33211P
12	4002678-00	FUSE HOLDER	1				F71351P
13	4000877-00	FUSE(1A)	1				
14	4002267-00	FUSE	1				
15	4004363-00	RESISTOR	1				50 Ohm/ 20W
16	4000724-00	TRANSFORMER	1				ZBN-30 EX ONLY
17	4000540-00	LABEL	1				5031-5014
18	QPW-115	P.C.B.	1				EX ONLY
19	M001790-06	SPACER	1				MFD-101
21	4002860-00	RELAY	1				FRL-263A
22	4002860-00	RELAY	1				FRL-263A
23	4002860-00	RELAY	1				FRL-263A
24	4002886-00	RELAY	1				FRL-263D
25	QPP-106	P.C.B.	1				IND.20-24



PC-45

Fig. 7

INDEX	Parts No.	Description	Qty	Price	S/N From	To	Remarks
1	M013407-00	COVER	1		175001	195899	
2	M001962-01	CAM	2		175001	195899	
3	M001780-05	BUSH	2		175001	195899	
4	M013422-00	STAY	1		175001	195899	
5	M013428-00	PLATE	1		175001	195899	
6	M013430-01	SPRING	1		175001	195899	
7	M013424-00	COVER	1		175001	195899	
8	M013419-01	CAP	2		175001	195899	
9	M007243-01	SIDE PLATE(L)	1		175001	195899	
10	M013426-00	CUSHION	2		175001		
11	M013427-00	SHAFT	2		175001		
12	M013406-00	GAUGE PLATE(L)	1		175001	195899	
13	M013405-00	GAUGE PLATE(R)	1		175001	195899	
14	M007242-00	SIDE PLATE (R)	1		175001	195899	
15	M013425-00	COVER	1		175001	195899	
16	M007379-03	SIDE PLATE	2				
17	M013408-05	COVER	1		175001		
18	4002994-00	LIMIT SWITCH	1			195899	



~S/N 229899

INDEX	Parts No.	Description	Qty	Price	S/N From	To	Remarks
1	M007301-11	FRAME	1				
2	M007385-04	TOP COVER	1			229899	
2	M007385-05	COVER	1		230001		
3	M084302-10	SIDE PLATE(R)	1		196001		
4	M084304-10	SIDE PLATE(L)	1		196001		
5	M084305-10	COVER(R)	1		196001		
6	M084306-10	COVER(L)	1		196001		
7	M084307-10	STAY	1		196001		
8	M084209-00	PLATE	4		196001		
9	M084310-01	PLATE(R)	1		196001		
10	M084312-10	PLATE(L)	1		196001		
11	M084316-10	COVER	1		196001		
12	M084319-00	CAM	1		196001		
13	M084231-00	HOOK	1		196001		
14	M037049-00	SPRING	1		196001		
15	M001786-00	BUSH	2		196001		
16	M013426-00	CUSHION	4				
17	M013427-00	SHAFT	4				
18	4009647-00	LIMIT SWITCH	1		196001		D4D-1162N
19	STW-12	SNAP RING	2		196001		

PAGE INTENTIONALLY BLANK





PC45/PM
Revision 5

Standard Business Systems
10 Connector Road, Andover, MA 01810
(978) 490-1920 Fax (978) 470-2771

