

Quartet Silver Adjustable Height Sign Stand - 7923

Instruction Manual



Provided by

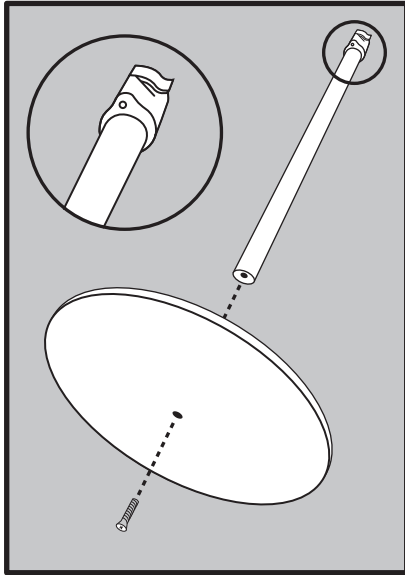
MyBinding.com
When Image Matters.

Call Us at 1-800-944-4573

Quartet® Adjustable Sign Stand

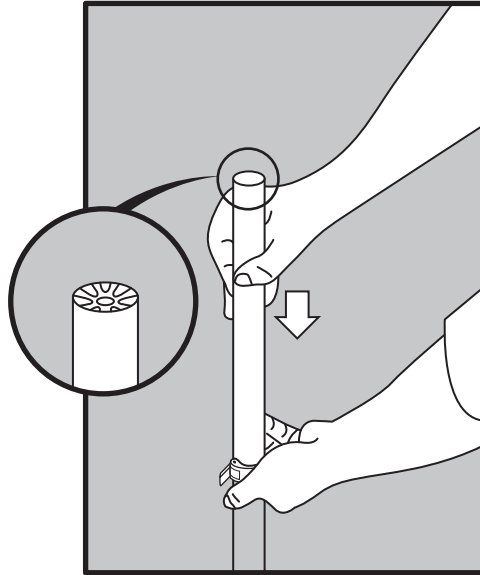
(No. 7923)

Assembly Instructions



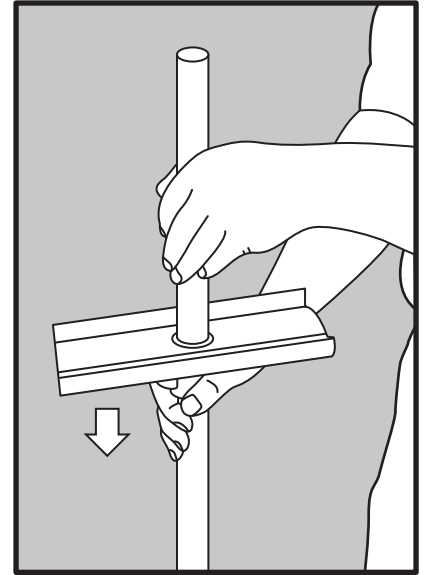
1. Attach Bottom Tube Assembly To Base

Insert screw through center hole in base and into star nut in bottom tube assembly. Tighten firmly.



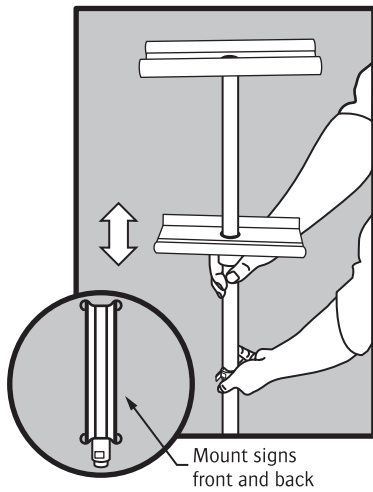
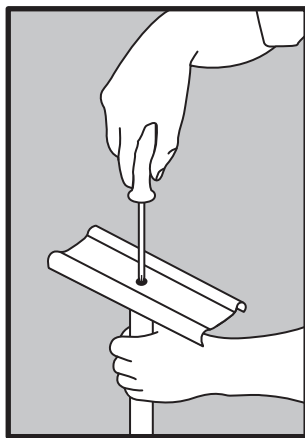
2. Slide Top Tube Into Bottom Tube

With star nut at top, slide top tube into bottom tube assembly.



3. Mount Bottom Board Holder Over Top Tube

Slide bottom sign holder assembly over top tube. Note: bottom sign holder is above lever assembly as shown.



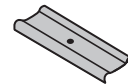
4. Attach Top Board Holder To Top Tube/Adjust Position Of Sign Holders

Insert 1/4" x 1" screw through top sign holder into star nut of top tube and tighten firmly. To adjust sign holders and mount sign, release lever on bottom tube and slide top sign holder to desired top height position of sign. Release lever on bottom sign holder, and with sign placed in curved section, slide bottom sign holder up until sign is captured by top sign holder. Firmly press lever on bottom sign holder into locked position. Note: two signs of equal height can be held at same time in front and back of sign holders.

Tools Required: Philips Screw Driver

Parts

Top Sign Holder (1X)



Bottom Sign Holder Assembly (1X)



Top Tube (1X)



Bottom Tube Assembly



1/4" x 1" Screw (2X)



Base (1X)

