

Premier P212X Polyboard 11-3/4 Inch Guillotine Paper Cutter

Parts List

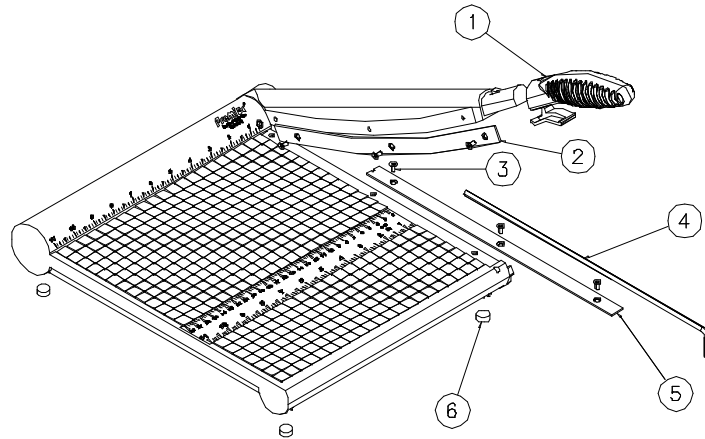


Provided by

MyBinding.com
When Image Matters.

Call Us at 1-800-944-4573

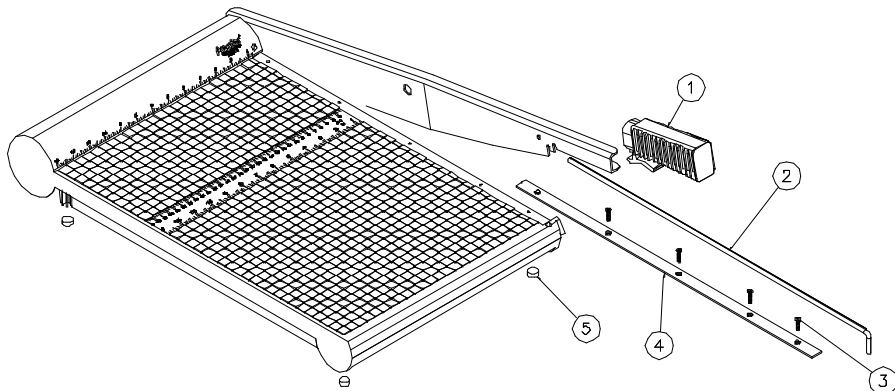
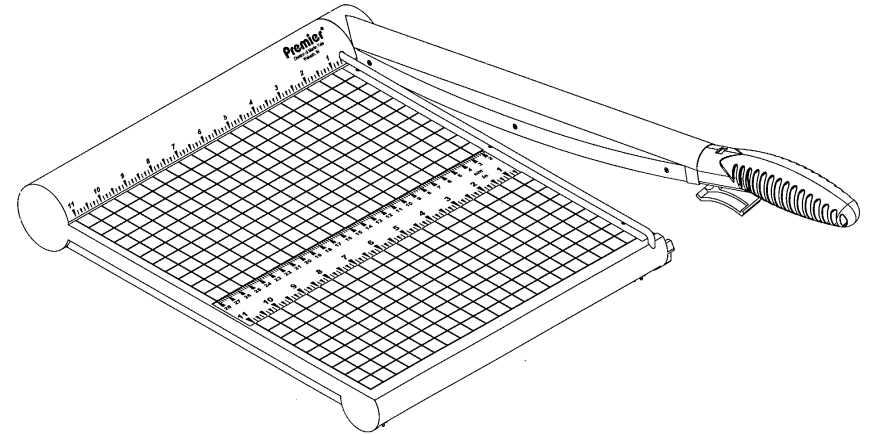
Premier® PolyBoard Paper Trimmers



P212X PARTS LIST

P215X PARTS LIST

Part Number	Description	Qty.	Part Number	Description	Qty.	
1	M-O017801	POLY ARM HAND GRIP	1	M-O017801	POLY ARM HAND GRIP	
2	W-O017811	12" CURVED BLADE	1	2	W-O017821	15" CURVED BLADE
3	M-S004019	POLY BLADE SCREW	6	3	M-S004019	POLY BLADE SCREW
4	W-O017813	12" POLYTRIM GUARD	1	4	W-O017823	15" POLY GUARD
5	W-O017812	12" BED BLADE	1	5	W-O017822	15" BED BLADE
6	M-S030018	POLYBOARD RUBBER FEET	4	6	M-S030018	POLYBOARD RUBBER FEET



P218X PARTS LIST

Part Number	Description	Qty.
1	M-O112006	HAND GRIP W/TRIGGER
2	W-O017726	FINGER GUARD
3	M-S004004	6 X 5/8 PHIL FLT HD AB
4	W-O017818	18" POLY STRAIGHT BLADE
5	M-S030018	POLYBOARD RUBBER FEET

Key Features and Benefits

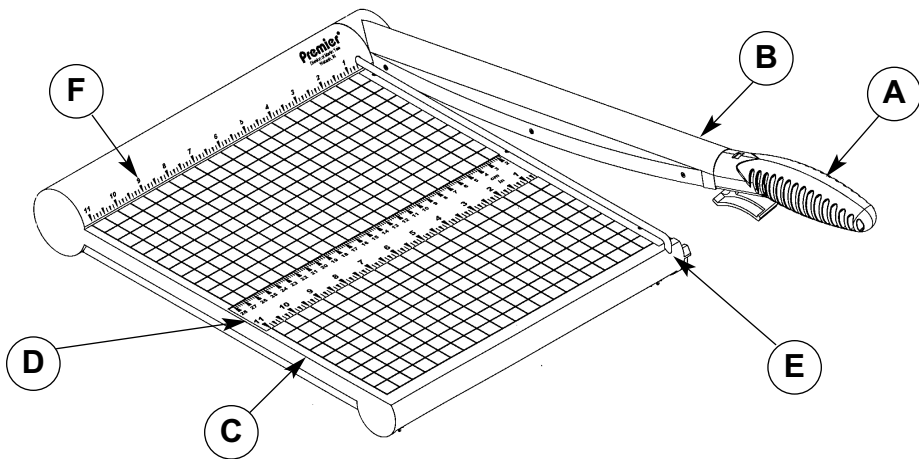
- Self-sharpening through-hardened high carbon steel blades cut up to 10 sheets
- Permanent 1/2" grid and dual rulers for proper paper alignment
- Patented automatic blade latch locks with every cutting motion
- Finger guard helps protect the entire blade length
- Torsion spring counterbalances blade arm
- Non-skid feet

Model Numbers

P212X – 12" cutting length

P215X – 15" cutting length

P218X – 18" cutting length

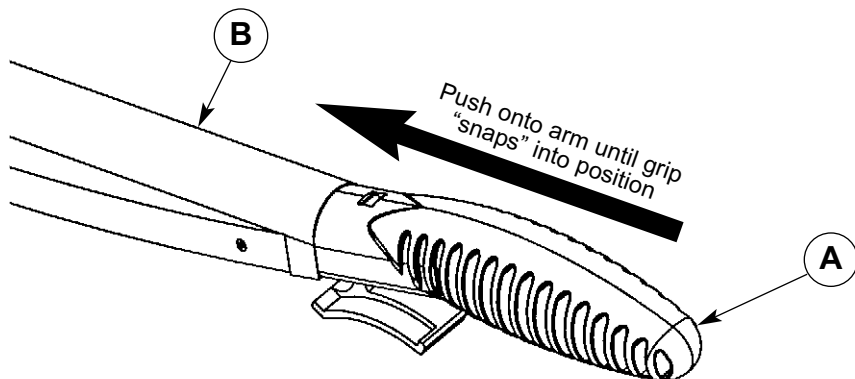


Key Components

- A – Hand Grip (*note model P218X has a different style grip and latch*)
- B – Blade Arm
- C – PolyBoard Base
- D – Alignment Ruler
- E – Finger Guard
- F – Paper Guide Ruler

Assembly Instructions (*for models P212X and P215X only*)

1. Place the trimmer on a flat surface
2. Hold the top of the blade arm (B) with one hand, being careful not to touch the blade, and the hand grip (A) with the other hand.
3. Slide the hand grip (A) onto the blade arm (B). The tab on the blade arm (B) should snap firmly into the notch on the hand grip (A). The trimmer is now ready for use.



Operating Instructions

1. Place the trimmer on a flat, stable surface
2. Release the blade latch, which is located on the hand grip (A)
3. Lift the blade arm (B) up into cutting position
4. Using the rulers or the 1/2" grid, align the paper to the proper position, pushing it up against the paper guide ruler (F).

CAUTION:

Keep hands and fingers behind the finger guard (E) at all times, away from the cutting blades

5. While holding the paper down with your left hand (to make sure it stays in place), pull down the blade arm (B) to cut.
6. Always make sure that the blade arm is completely down and locked when not in use.

Safety Information

- Always ensure that the blade arm is fully pushed down, and that the blade latch is engaged, when not in use
- Never operate the trimmer without the finger guard in place
- Always keep clothing, jewelry, watches, and hair away from the cutting blade
- Keep out of the reach of children
- Do not carry the trimmer by the hand grip or the blade arm

For Best Cutting Performance

Use Trim-Ease Blade Lubricant for a smoother cut and to help preserve the life of the cutting blade. To order, please contact customer service at the number below and ask for Trim-Ease Blade Lubricant, part number MRS037046.

Customer Service

Telephone: (260) 563-0641
Fax: (260) 563-4745
Email: info@martinyale.com
Internet: www.martinyale.com
Address: Martin Yale Industries, Inc.
 251 Wedcor Avenue
 Wabash, IN 46992

Visit www.martinyale.com for information on office products, including paper folding machines, punches, letter openers, catalog racks, and computer keyboard drawers.