

# ***Premier Heavy Duty 12" Wood Paper Trimmer - W12***

Instruction Manual

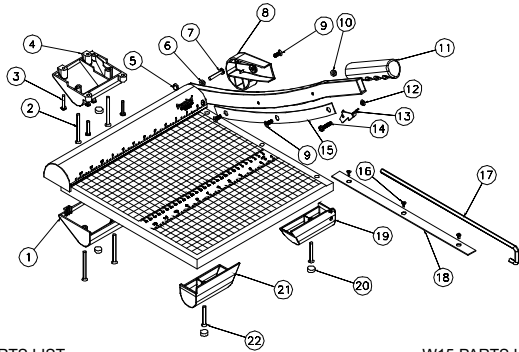


*Provided by*

**MyBinding.com**  
*When Image Matters.*

Call Us at 1-800-944-4573

# Premier® Heavy-Duty Paper Trimmers



W12 PARTS LIST

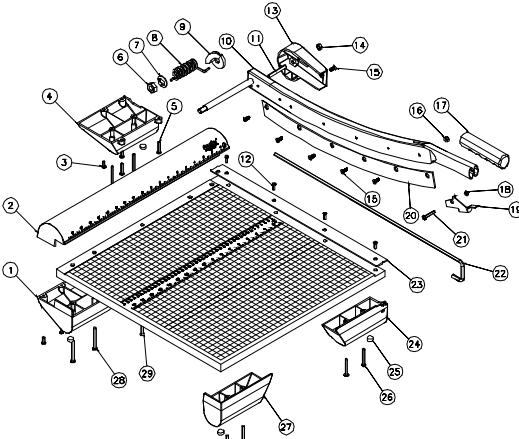
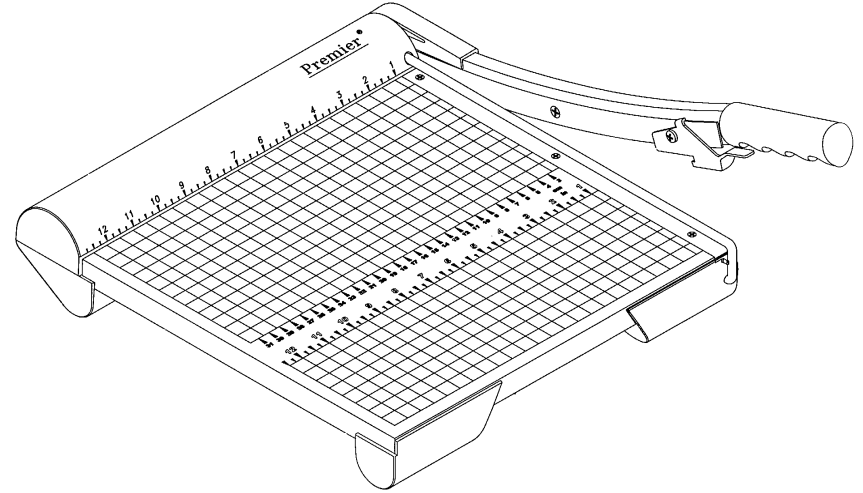
Part Number	Description	Qty.
1	M-0017909	LEFT REAR FOOT
2	M-S004018	#10 X 2 1/4 LOROOT FLHD
3	M-S004078	#8 X 7/8 PH PAN HD LR
4	M-0017951	RIGHT REAR FOOT
5	M-S007010	10-32 ACORN NUT
6	M-S61000058	10-32 HEX NUT
7	M-S001149	10-32 X 1.13 PPH B/O
8	M-0017911	HANDLE CAP
9	M-S001020	10-32 X 1/2 PHIL UC FH
10	M-S007033	HEX ACORN NUT, 10-32
11	M-S043013	7/8 MAROON GRIP

Part Number	Description	Qty.
12	M-0017842	LATCH SPACER
13	W-0017851	SMALL SAFETY LATCH
14	M-S001148	10-32 X 7/8 PHL P/BIO
15	W-0175012	12" CURVED BLADE
16	M-S004063	#8 X 5/8 LR, W/86 PH. F.H.
17	W-0017949	FINGERGUARD
18	W-0010812	12" STRAIGHT BLADE
19	M-0017906	RIGHT FOOT
20	M-S003010	T BUMPER (FOOT)
21	M-0017905	LEFT FOOT
22	M-S004016	#10 X 1 1/2 LOROOT FLHD

W15 PARTS LIST

Part Number	Description	Qty.
1	M-0017909	LEFT REAR FOOT
2	M-S004018	#10 X 2 1/4 LOROOT FLHD
3	M-S004078	#8 X 7/8 PH PAN HD LR
4	M-0017951	RIGHT REAR FOOT
5	M-S007010	10-32 ACORN NUT
6	M-S61000058	10-32 HEX NUT
7	M-S001149	10-32 X 1.13 PPH B/O
8	M-0017911	HANDLE CAP
9	M-S001020	10-32 X 1/2 PHIL UC FH
10	M-S007033	HEX ACORN NUT, 10-32
11	M-S043013	7/8 MAROON GRIP

Part Number	Description	Qty.
12	M-0017842	LATCH SPACER
13	W-0017851	SMALL SAFETY LATCH
14	M-S001148	10-32 X 7/8 PHL P/BIO
15	W-0017735	15" CURVED BLADE
16	M-S004063	#8 X 5/8 LR, W/86 PH. F.H.
17	W-0017950	FINGERGUARD
18	W-0010815	15" STRAIGHT BLADE
19	M-0017906	RIGHT FOOT
20	M-S003010	T BUMPER (FOOT)
21	M-0017905	LEFT FOOT
22	M-S004016	#10 X 1 1/2 LOROOT FLHD



W18 PARTS LIST

Part Number	Description	Qty.
1	M-0017946	W/18 & 24 L REAR FOOT
2	W-F017620	W/18 & 24 BEARING COVER
3	M-S001169	#8 X 1/2 PH. PH. "B" ZINC
4	M-0017919	W/18 & 24 R REAR FOOT
5	M-S004078	#8 X 7/8 LO ROOT PHIL
6	M-S007026	1/2-13 HEX LOCK NUT
7	W-0001757	TORQUE WASHER
8	M-S031053	LG. TRIMMER SPRING
9	M-0017927	W/18 & 24 HELICAL WEAR PAD
10	W-A017926	W/18 BLADE/HANDLE ASSY
11	M-S002024	1/4-20X2 CUP PNT. SET SCREW
12	M-S004063	#8 X 5/8 W/86 PHL. FH SCREW
13	M-0017918	W/18 & 24 HANDLE CAP
14	M-S007017	1/4-20 HEX NUT FULL
15	M-S001020	10-32 X 1/2 PHIL UC FH

Part Number	Description	Qty.
16	M-S007033	HEX ACORN NUT, 10-32
17	M-S043016	1" HAND GRIP, MAROON
18	M-0017642	LATCH SPACER
19	W-0017652	LARGE SAFETY LATCH
20	W-0017518	18" CURVED BLADE
21	M-S001149	10-32 X 1.13 PPH B/O
22	W-0017907	W/18 FINGER GUARD
23	W-0010518	18" STRAIGHT BLADE
24	M-0017968	W/18 & 24 RFRONT FOOT
25	M-S003010	T BUMPER (FOOT)
26	M-S004039	#10 X 1.5 PHL. FH SCREW
27	M-0017907	W/18 & 24 LFRONT FOOT
28	M-S004050	#10 X 2 PH. RD LO-ROOT
29	M-S004017	#10 X 1.25 PHL. FH SCREW

W24 PARTS LIST

Part Number	Description	Qty.
1	M-0017946	W/18 & 24 L REAR FOOT
2	W-F017620	W/18 & 24 BEARING COVER
3	M-S001169	#8 X 1/2 PH. PH. "B" ZINC
4	M-0017919	W/18 & 24 R REAR FOOT
5	M-S004078	#8 X 7/8 LO ROOT PHIL
6	M-S007026	1/2-13 HEX LOCK NUT
7	W-0001757	TORQUE WASHER
8	M-S031053	LG. TRIMMER SPRING
9	M-0017927	W/18 & 24 HELICAL WEAR PAD
10	W-A017929	W/24 BLADE/HANDLE ASSY
11	M-S002024	1/4-20X2 CUP PNT. SET SCREW
12	M-S004063	#8 X 5/8 W/86 PHL. FH SCREW
13	M-0017918	W/18 & 24 HANDLE CAP
14	M-S007017	1/4-20 HEX NUT FULL
15	M-S001020	10-32 X 1/2 PHIL UC FH

Part Number	Description	Qty.
16	M-S007033	HEX ACORN NUT, 10-32
17	M-S043016	1" HAND GRIP, MAROON
18	M-0017642	LATCH SPACER
19	W-0017652	LARGE SAFETY LATCH
20	W-0017524	24" CURVED BLADE
21	M-S001149	10-32 X 1.13 PPH B/O
22	W-0017948	W/24 FINGER GUARD
23	W-0010524	24" STRAIGHT BLADE
24	M-0017908	W/18 & 24 RFRONT FOOT
25	M-S003010	T BUMPER (FOOT)
26	M-S004039	#10 X 1.5 PHL. PH SCREW
27	M-0017907	W/18 & 24 LFRONT FOOT
28	M-S004050	#10 X 2 PH. RD LO-ROOT
29	M-S004017	#10 X 1.25 PHL. FH SCREW

## Key Features and Benefits

- Heavy-duty 3/4" thick wood base
- Fully-hardened self-sharpening steel blades cut up to 20 sheets
- Accurately cuts paper, matte board, cardboard, film, tissue, and textiles
- Permanent 1/2" grid and dual rulers for proper paper alignment
- Patented automatic blade latch locks with every cutting motion
- Finger guard helps protect the entire blade length
- Torsion spring counterbalances blade arm
- Non-skid feet

## Model Numbers

- W12 – 12" cutting length
- W15 – 15" cutting length
- W18 – 18" cutting length
- W24 – 24" cutting length



**MyBinding.com** MADE IN USA

When Image Matters.

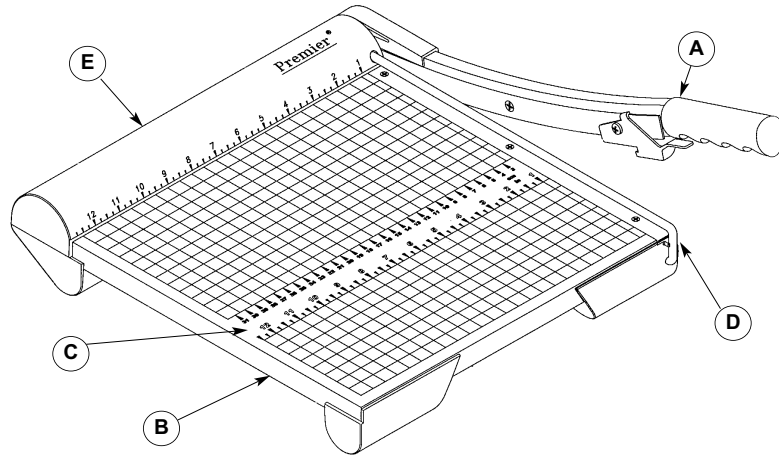
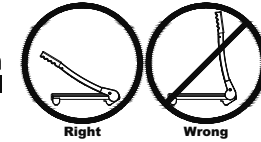
## Operating Instructions

1. Place the trimmer on a flat, stable surface
2. Release the blade latch, which is located on the hand grip (A)
3. Lift the blade arm (A) up into cutting position
4. Using the rulers or the 1/2" grid, align the paper to the proper position, pushing it up against the paper guide ruler (E).

**CAUTION:**  
Keep hands and fingers behind the finger guard (D)  
at all times, away from the cutting blades

5. While holding the paper down with your left hand (to make sure it stays in place), pull down the blade arm (A) to cut.
6. Always make sure that the blade arm is completely down and locked when not in use.

**ATTENTION:**  
Do not force the blade arm  
upward beyond the natural  
stop position.



## Key Components

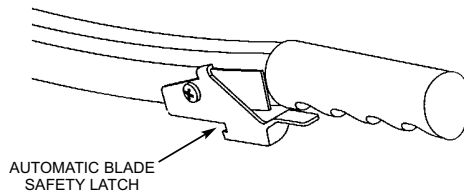
- A – Hand Grip/Blade Arm/Blade Latch Assembly
- B – Wood Base with Molded End Caps
- C – Alignment Ruler
- D – Finger Guard
- E – Paper Guide Ruler

## Assembly Instructions

Place the non-skid rubber feet into position on the bottom of the trimmer.

## Automatic Safety Latch

The patented automatic blade latch is a key safety feature of this trimmer. It will lock with every complete cutting stroke, helping to eliminate forgetfulness. Remember to always push the blade arm down completely when you are finished cutting, to ensure that the latch activates. Never remove the latch for any reason.



## Safety Information

- Always ensure that the blade arm is fully pushed down, and that the blade latch is engaged, when not in use
- Never operate the trimmer without the finger guard in place
- Always keep clothing, jewelry, watches, and hair away from the cutting blade
- Keep out of the reach of children
- Do not carry the trimmer by the hand grip or the blade arm

## For Best Cutting Performance

Use Trim-Ease Blade Lubricant for a smoother cut and to help preserve the life of the cutting blade. To order, send \$5.50 per stick and a self-addressed, stamped envelope to the address below.

## Customer Service

**Telephone:** (260) 563-0641  
**Fax:** (260) 563-4575  
**Email:** info@martinyale.com  
**Internet:** www.martinyale.com  
**Address:** Martin Yale Industries, Inc.  
251 Wedcor Avenue  
Wabash, IN 46992

Visit [www.martinyale.com](http://www.martinyale.com) for information on office products, including paper folding machines, punches, letter openers, catalog racks, and computer keyboard drawers.

