

***Luxor STC22-B 24" x 18"***  
***Black 2-Flat Shelf***  
***Utility Cart***

Sell Sheet



*Provided by*

**MyBinding.com**

*When Image Matters.*

Call Us at 1-800-944-4573

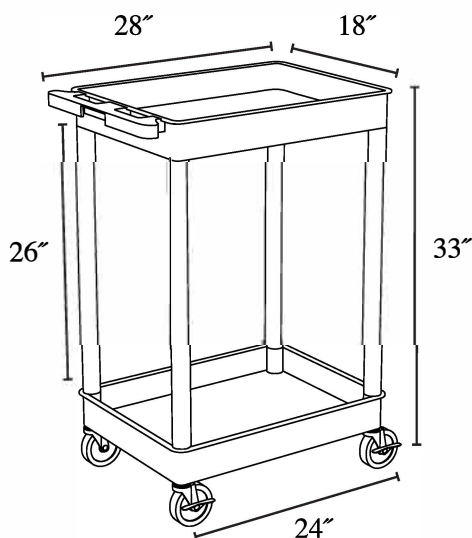
## Flat shelf Utility Cart



**STC22-B**  
24"W x 18"D x 33"H



- Multipurpose utility cart ideal for use as a serving or storage cart
- Measures 24"W x 18"D x 33.25"H with a clearance between shelves of 26" for easy access
- Includes two flat shelves with .25" retaining lip to secure items from sliding off
- Ergonomic push handle molded into the top shelf
- Four 4" Heavy-Duty non-marring casters, two with locking brake
- Shelves and legs are constructed with an injection molded thermoplastic resin, which will not stain, scratch, dent or rust
- Maximum weight capacity of 300 lbs. (evenly distributed)



**MADE IN  
USA**

**Call Us at**  
**1-800-944-4573**  
for Orders or Inquiries