

Luxor 40" Single-Column Crank Stand Up Desk - STANDUP-SC40-WB

Instruction Manual



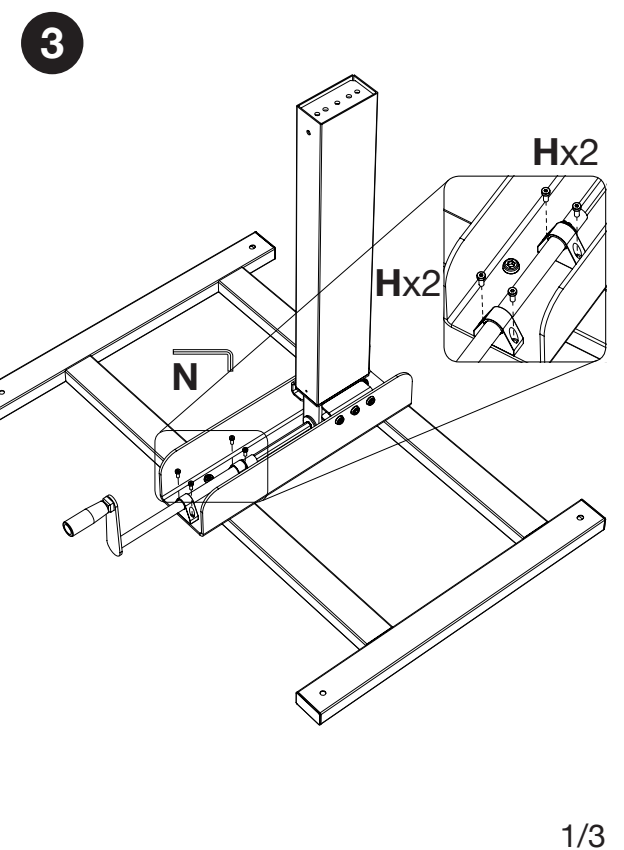
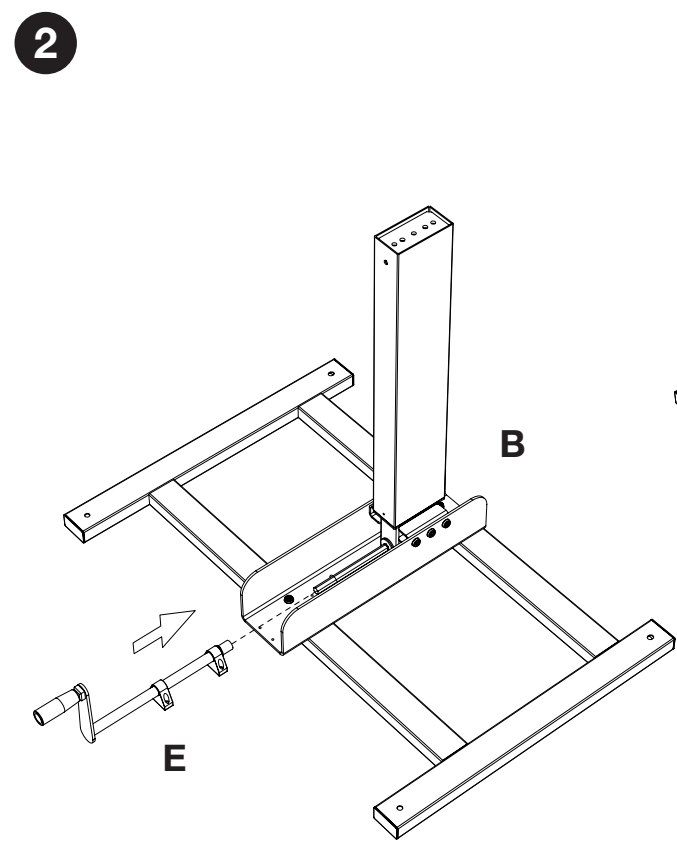
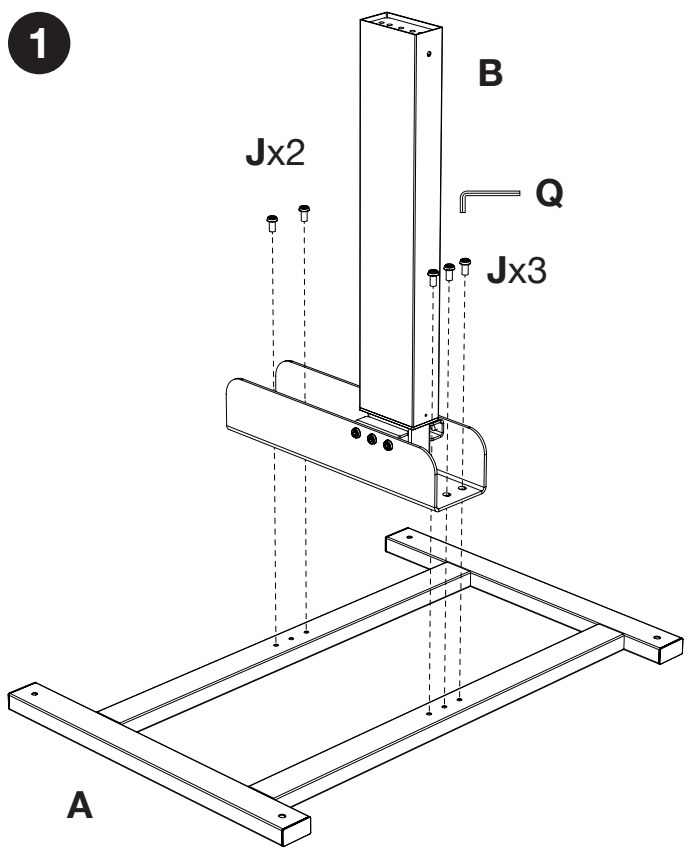
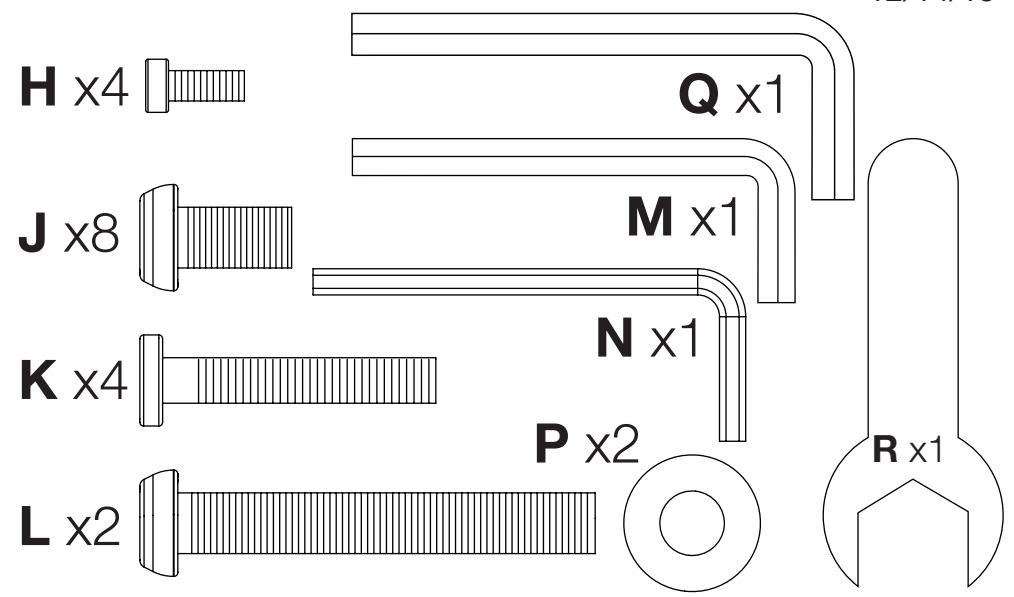
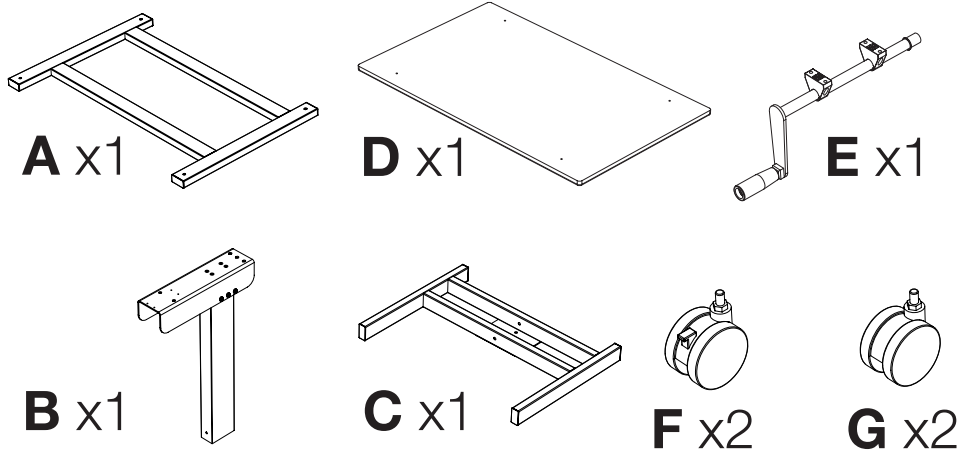
Provided by

MyBinding.com
When Image Matters.

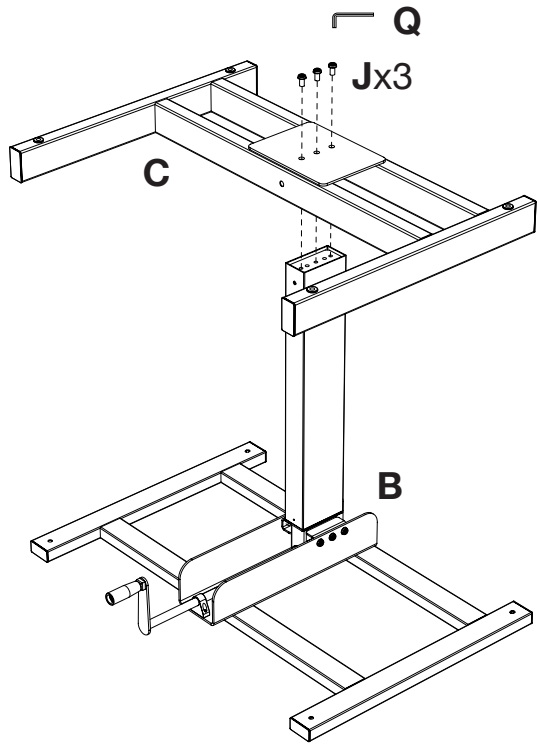
Call Us at 1-800-944-4573

Single Column Stand Up Desk Instructions

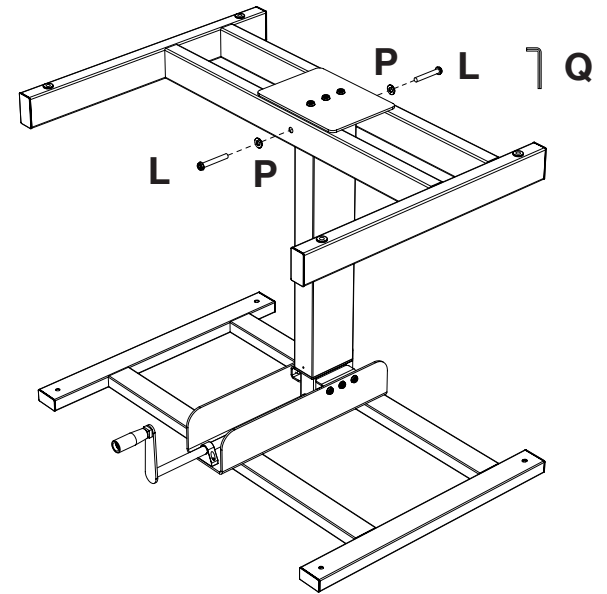
12/14/15



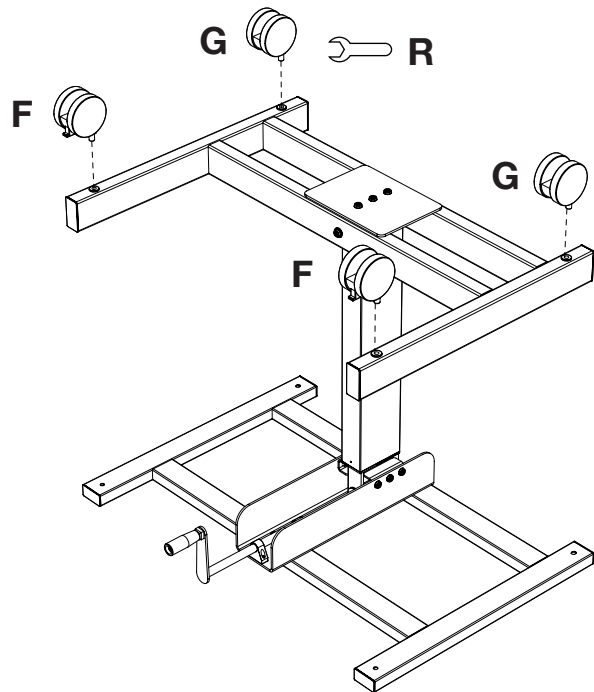
4



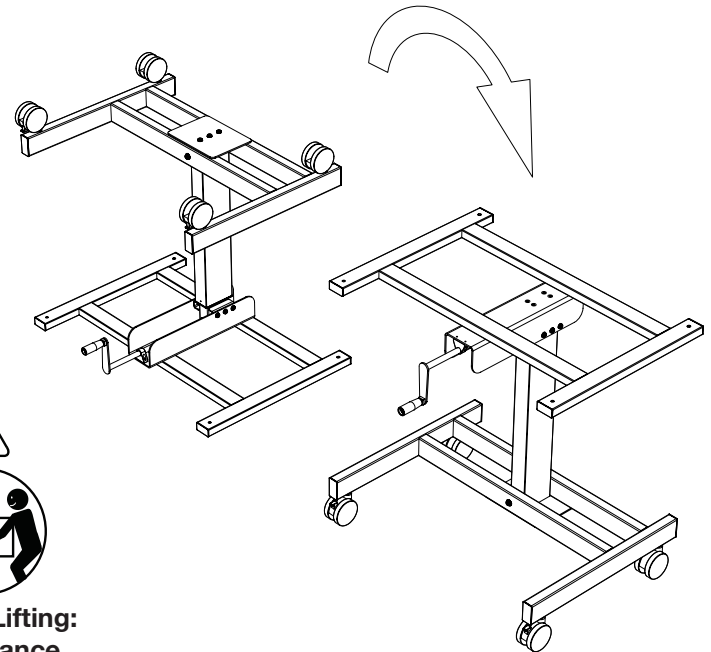
5



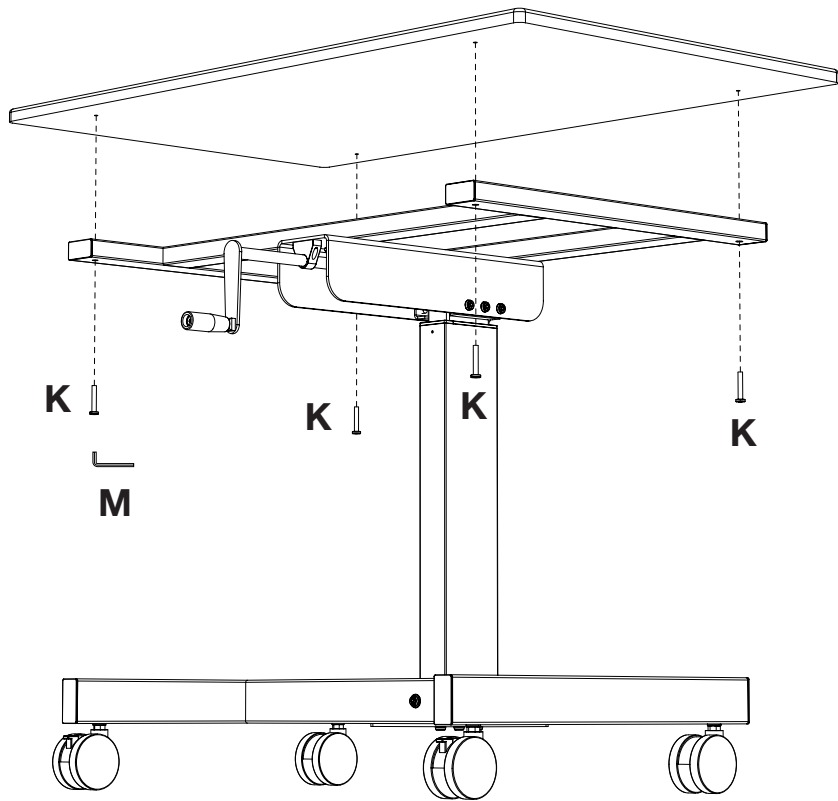
6



7



8



9

