

Luxor 94" x 40" Reversible Magnetic Steel Mobile Whiteboard

Instruction Manual



Provided by

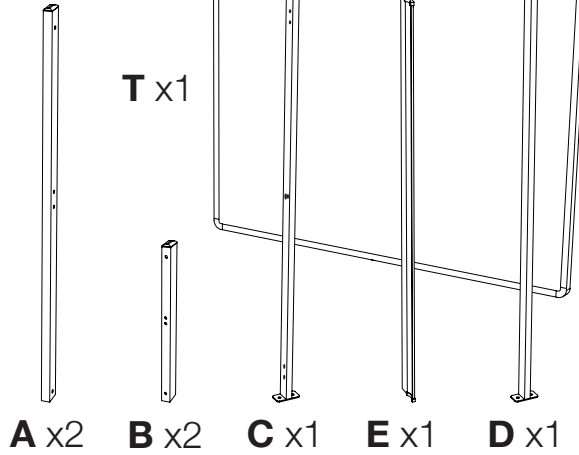
MyBinding.com
When Image Matters.

Call Us at 1-800-944-4573



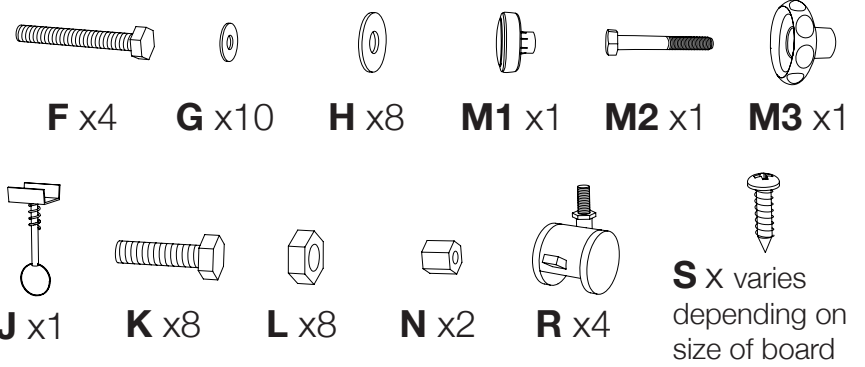
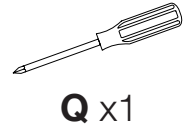
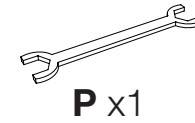
Assistance
Required

Parts List



Tools Required

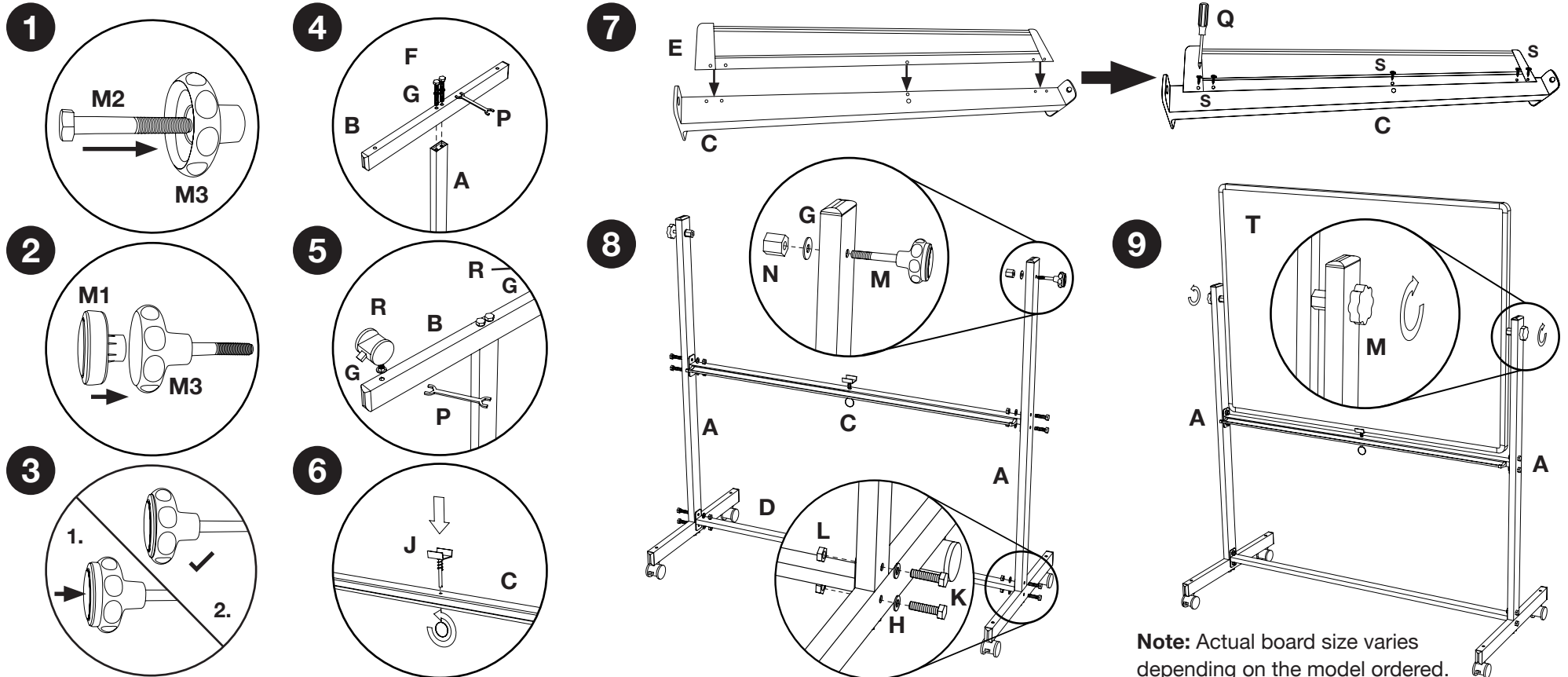
- Additional Wrench



Mobile Board Instructions

Note: After assembly, peel the protective film from both sides of the board.

Cleaning Tip: A mild dish washing liquid can be used with a soft cloth to clean the writing surface.



Note: Actual board size varies depending on the model ordered.