

***Luxor LPLDUOE-B Endura
32" x 24" Black Multi-
Height A/V Utility Cart***

Sell Sheet



Provided by

MyBinding.com

When Image Matters.

Call Us at 1-800-944-4573

Heavy Duty A/V Cart

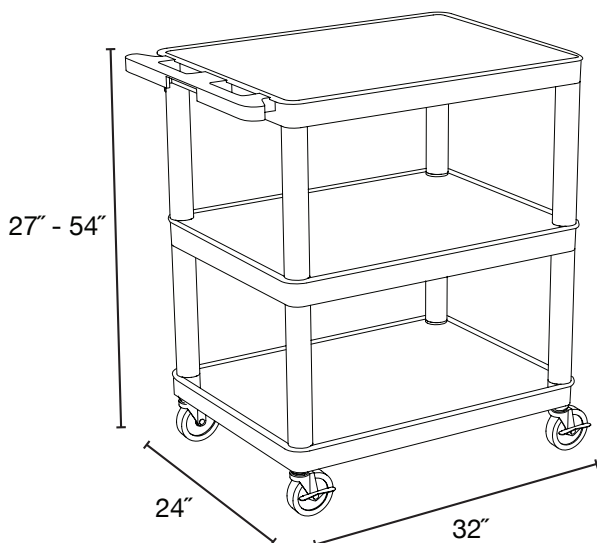


LPLDUOE-B
24"W x 18"D x 27" - 54"H



LPLDUOCE-B
24"W x 18"D x 27" - 54"H

**MADE IN
USA**



- Multipurpose utility cart perfect for use with audio/video equipment and more
- Measures 34"W x 24"D x 27" - 54"H
- .25" retaining lip borders flat shelves to ensure minimal sliding
- Includes locking cabinet made from 20-gauge steel with powder coat paint finish, full piano door hinges with a set of two keys
- Cabinet inner dimensions measure 23¹/₄" W x 16³/₄" D x 18" H
- Ergonomic push handle molded into the top shelf for optimum comfort
- Four 4" Heavy-Duty non-marring casters, two with locking brake, for mobility and stability
- Molded plastic shelves and legs won't stain, scratch, dent or rust
- Three-outlet surge suppressing 15" cord and cord management system to keep cart clean and organized
- Maximum weight capacity of 400 lbs. (evenly distributed)

**Call Us at
1-800-944-4573
for Orders or Inquiries**