

***Luxor Endura 34" High  
Black 3-Shelf A/V  
Utility Cart***

Sell Sheet



*Provided by*

**MyBinding.com**

*When Image Matters.*

Call Us at 1-800-944-4573

## Heavy Duty A/V Cart



**LP34E-B**  
24"W x 18"D x 34"H



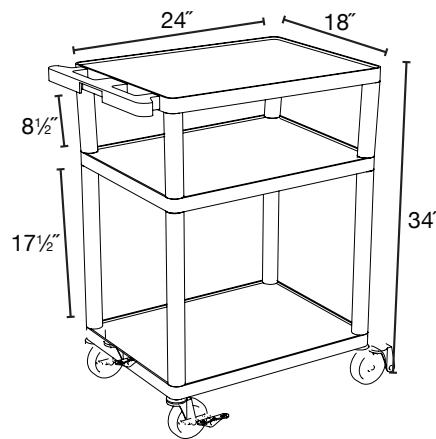
**LP34PE-B**



**LP34LE-B**



**LP34C-B**  
24"W x 18"D x 34"H



- 24"W x 18"D x 34"H
- .25" retaining lip borders flat shelves to ensure ensure
- Configurations for front pullout shelf, side pullout shelf and cabinet
- Ergonomic push handle molded into the top shelf for optimum comfort
- Four 4" Heavy-Duty non-marring casters, two with locking brake, for mobility and stability
- Molded plastic shelves and legs won't stain, scratch, dent or rust
- Three-outlet surge suppressing 15" cord and cord management system keep cart clean and organized
- Maximum weight capacity of 400 lbs. (evenly distributed)

**MADE IN  
USA**