

***Luxor Endura 27" High  
Black 2-Shelf A/V  
Utility Cart***

Instruction Manual



*Provided by*

**MyBinding.com**  
*When Image Matters.*

Call Us at 1-800-944-4573

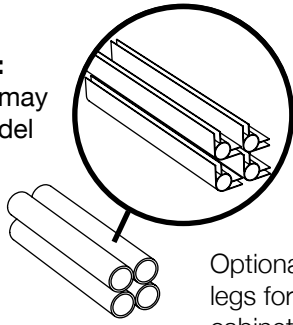
www.luxorfurn.com  
www.hwilson.com

### Parts List

### Tools Required

- Rubber Mallet

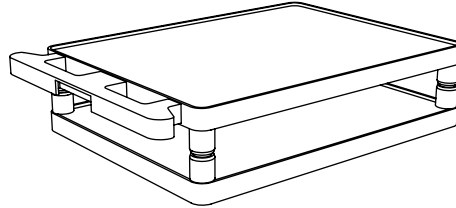
**NOTICE:**  
Leg lengths may vary by model



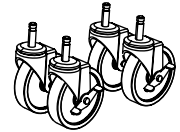
Optional fluted legs for units with cabinet pack

**F** x4

**A** x1

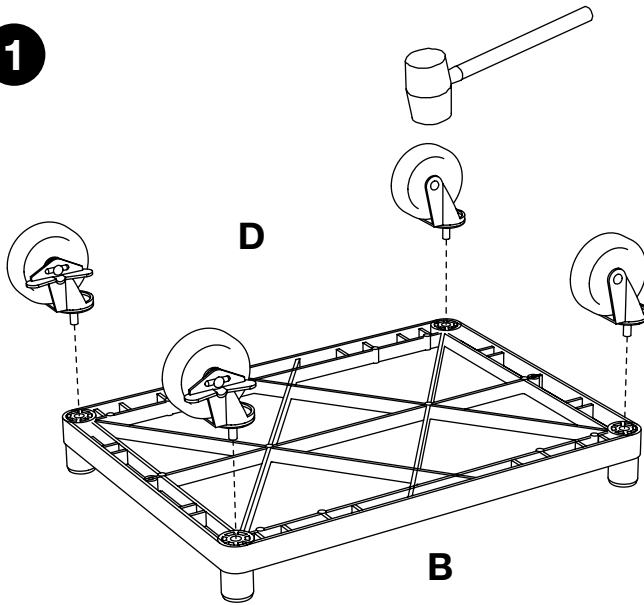


**B** x1



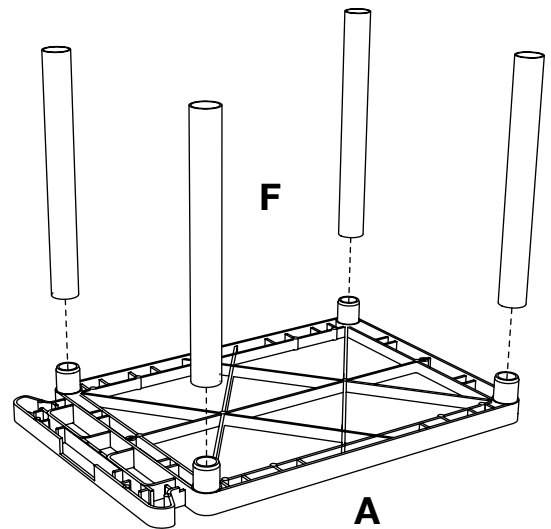
**D** x4

**1**

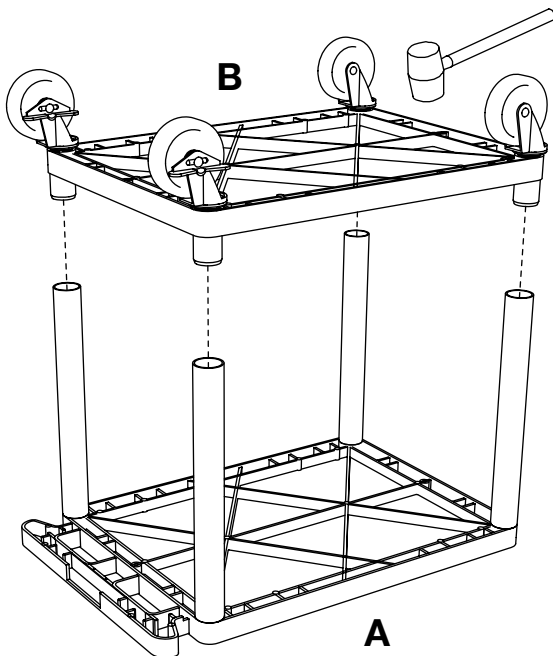


**2**

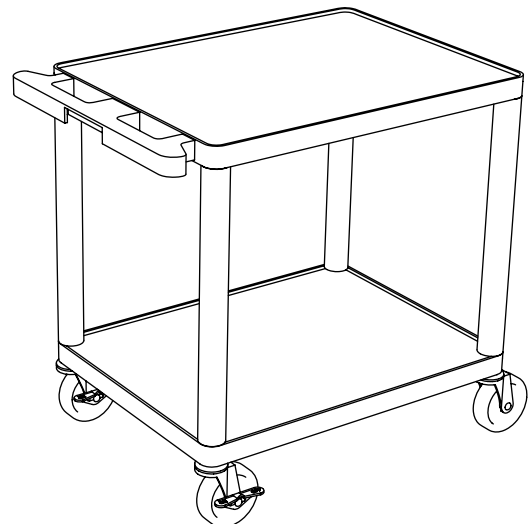
Install optional cabinet pack / pullout shelf / electrical assembly after step 1



**3**



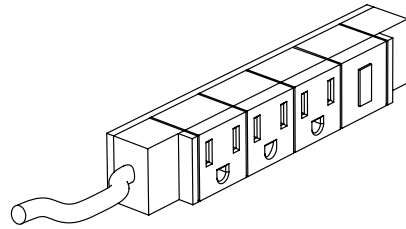
**4**



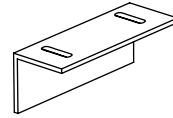
www.luxorfurn.com  
www.hwilson.com

## LP + LE Electrical Assembly Instructions

### Parts List



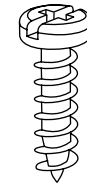
**F** x1



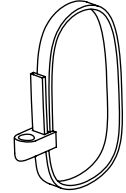
**G** x1

### Tools Required

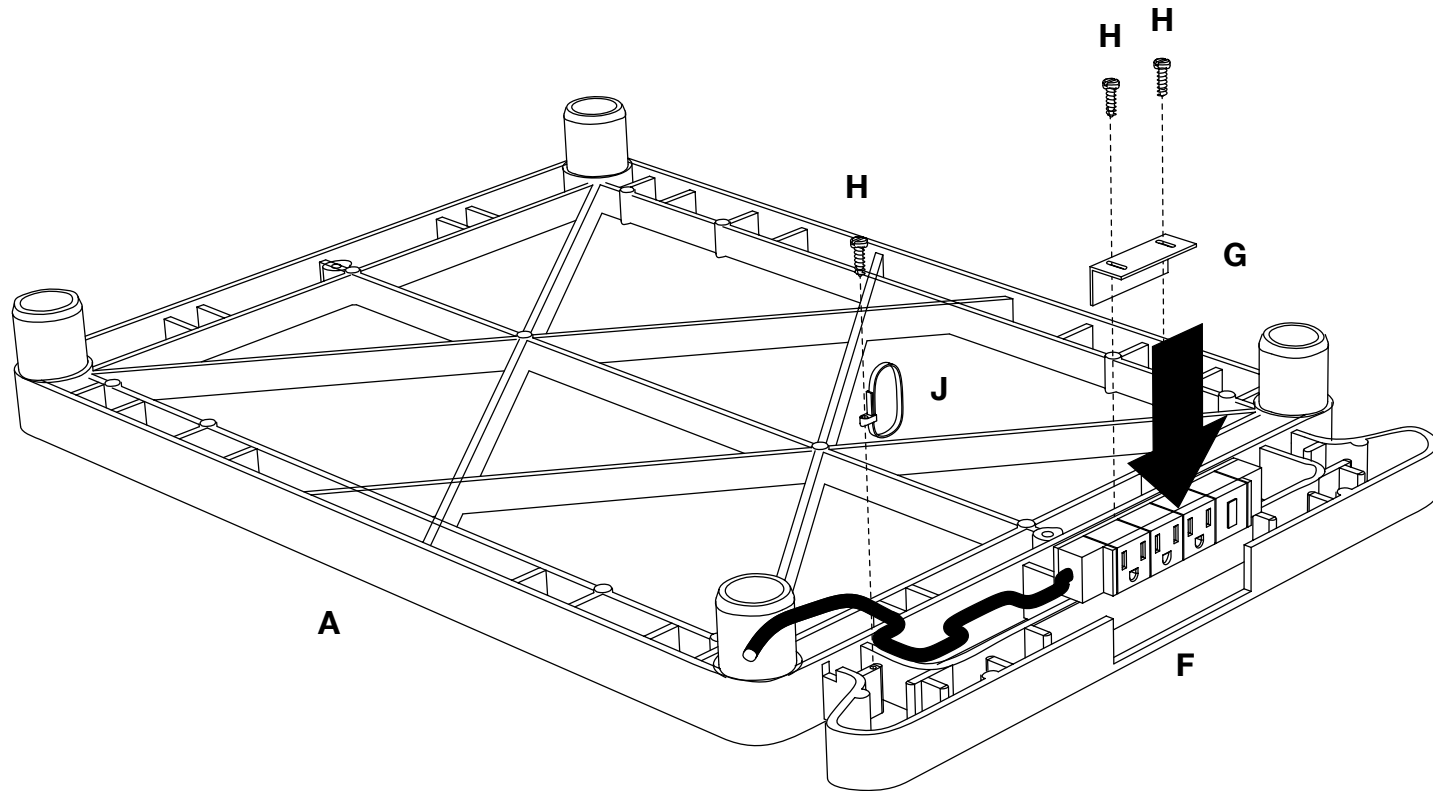
- Philips Screwdriver



**H** x3



**J** x1



**1**

Attach electric outlet **F** to top shelf **A**, secure with L bracket **G** and cable lock **J**. Loop outlet cable **F** through cable lock **J** and the inserts on shelf **A**. Screw L bracket **G** and cable lock **J** onto top shelf **A** with screw **H** and a philips screwdriver.