

Luxor 8-Tablet Wall / Desk Charging Station - LLTMW8-G

Instruction Manual



Provided by

MyBinding.com
When Image Matters.

Call Us at 1-800-944-4573

Surface / Wall Device Charging Station Guide

WARNING: Two people are required to attach this charging station to a wall.

Parts List

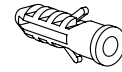
Note: Hardware provided is for drywall installation. If attaching to other material, additional fasteners are needed (not included).



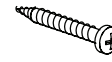
A x4
M5x18



B x1
M5x40



C
Plastic Anchor



D
M5x25

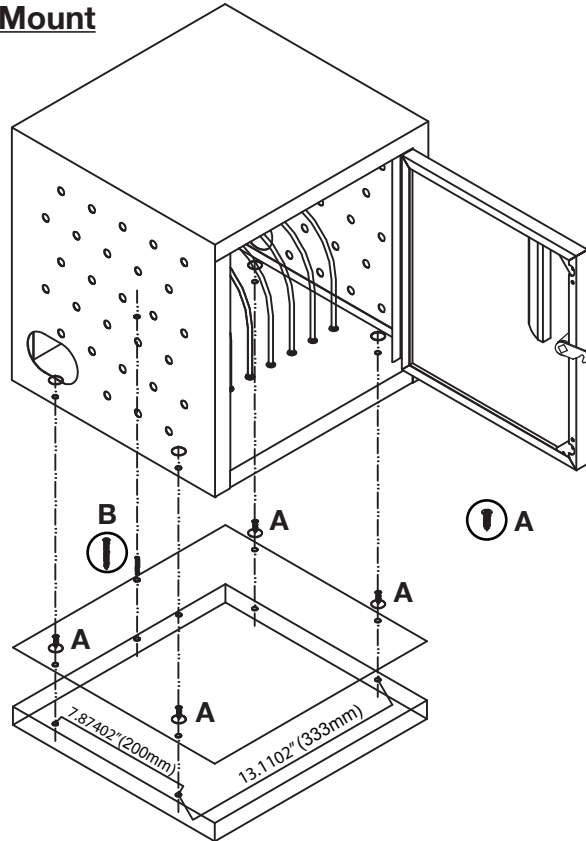
Tools Required

- Tape Measure
- Level
- Drill
- 1/4" Drill Bit (No Stud)
- 1/8" Drill Bit (Stud)

- Extended Length Phillips Screwdriver
- Level
- Stud Finder
- Pencil

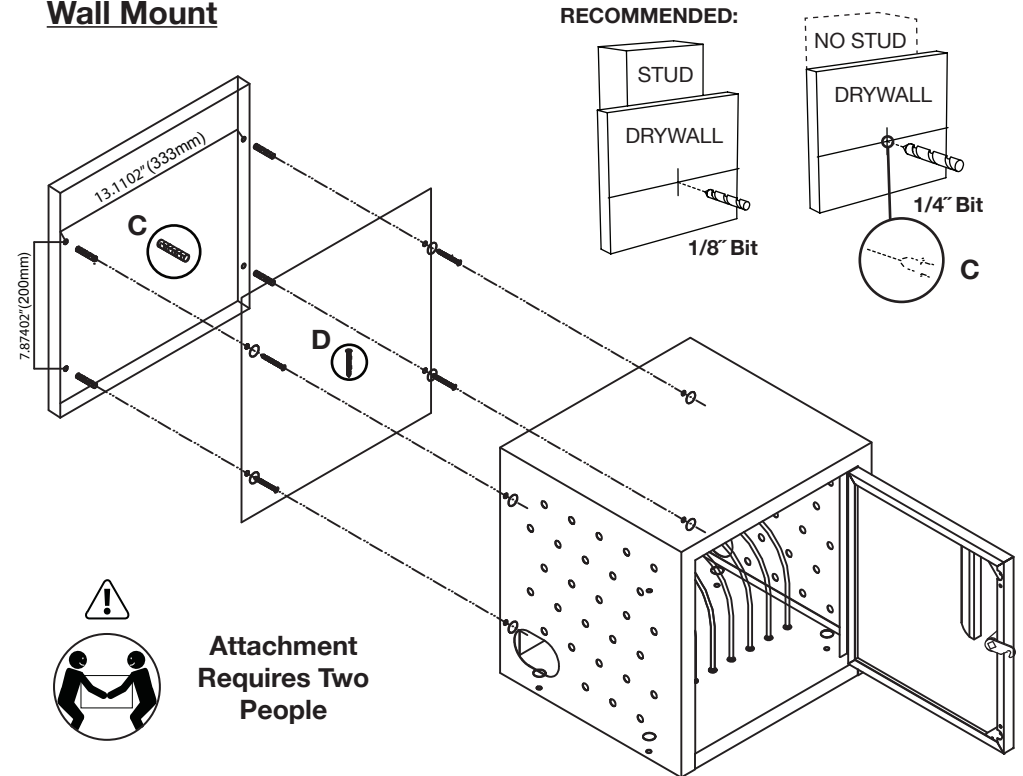
05/25/16

Surface Mount



1. Place the unit in the desired location.
2. Using a pencil, mark the front two holes.
3. Using a pencil, mark the back two holes through the side grommet holes.
4. Remove the unit, and confirm marks are in the correct location.
5. Mark a center point between the back two holes.
6. Drill 5 holes using the 1/8" drill bit.
7. Return the unit, and secure in place with screws (A and B).

Wall Mount



Assistance required on all steps

1. Place the unit in the desired location.
2. Level the unit, and hold in place.
3. Mark the top 2 holes with a pencil.
4. Mark the bottom 2 holes with a pencil through the grommet holes.
5. Remove the unit, and confirm holes are in the correct location.
6. If mounting to drywall, drill holes with the 1/4" drill bit, and place anchors (C) in the holes.
7. If mounting to a stud, drill holes with 1/8" drill bit.
8. Return the unit to the location, and secure in place with screws (D).