

# ***Luxor EC22HD-B 32" x 18"*** ***High Capacity Black 2-Flat*** ***Shelf Utility Cart***

Instruction Manual



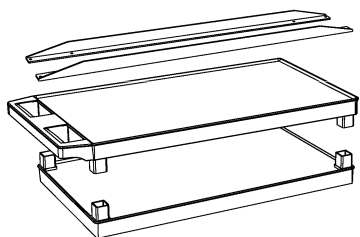
Provided by

**MyBinding.com**  
When Image Matters.

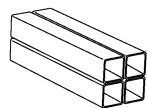
Call Us at 1-800-944-4573

## 2 Flat Shelf 18 x 32 Cart Instructions w/ Cross Bars & HD Casters

### Parts List

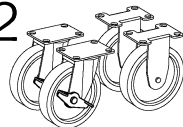


**G** x2  
**A** x1  
**B** x1



**F** x4

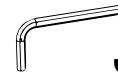
**D** x2



**E** x2

### Tools Required

- Rubber Mallet
- Phillips Screwdriver



**J** x1



**K** x16

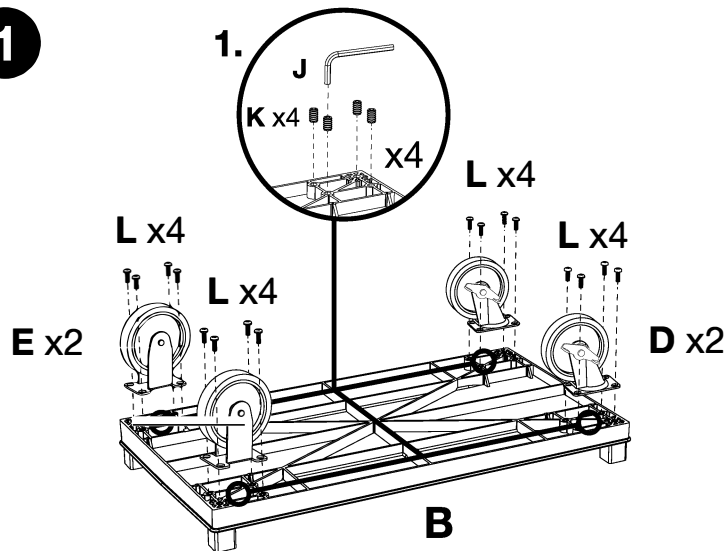


**L** x16

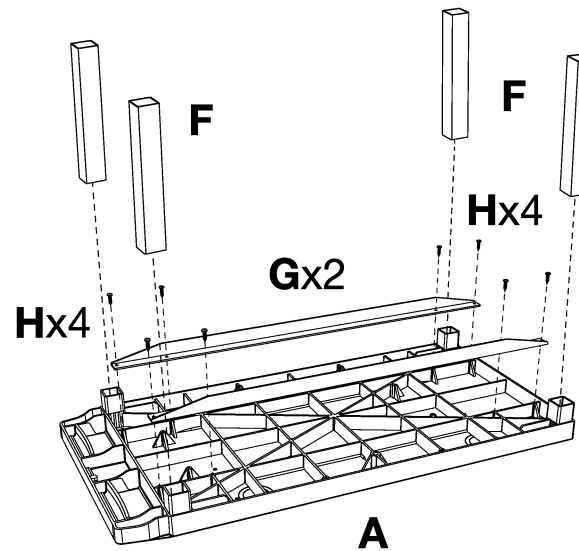


**H** x8

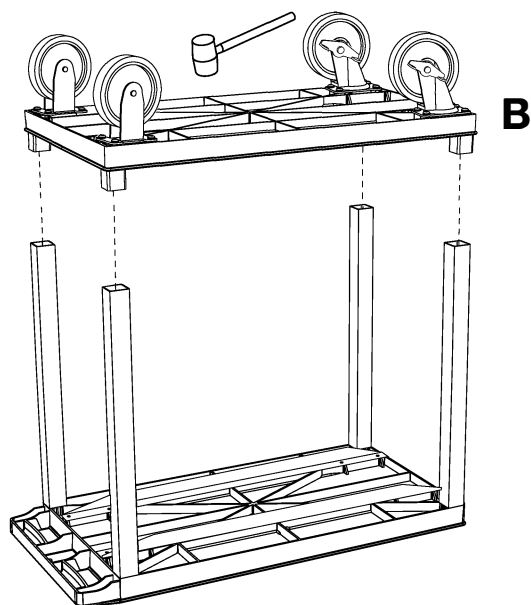
**1**



**2**



**3**



**4**

