

Luxor EC22-B 32" x 18"
Black 2-Flat Shelf
Utility Cart

Instruction Manual



Provided by

MyBinding.com
When Image Matters.

Call Us at 1-800-944-4573

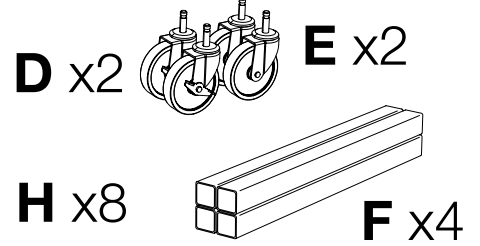
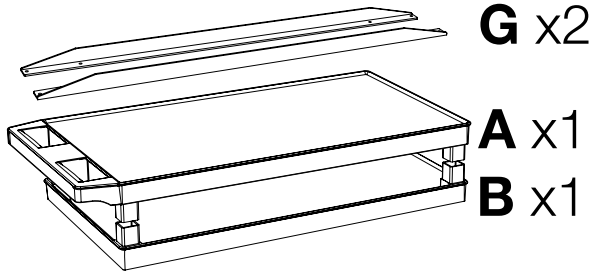
www.luxorfurn.com
www.hwilson.com

Parts List

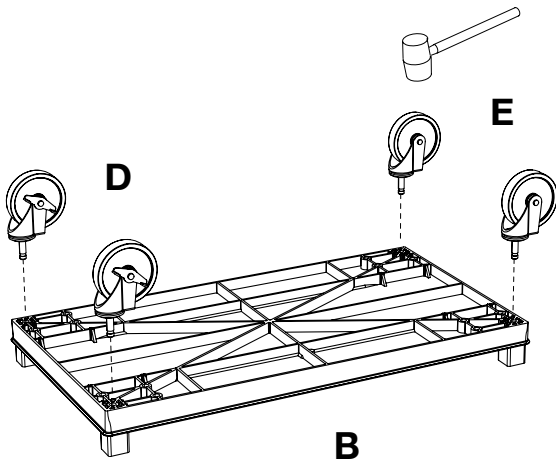
Tools Required

- Rubber Mallet
- Phillips Screwdriver

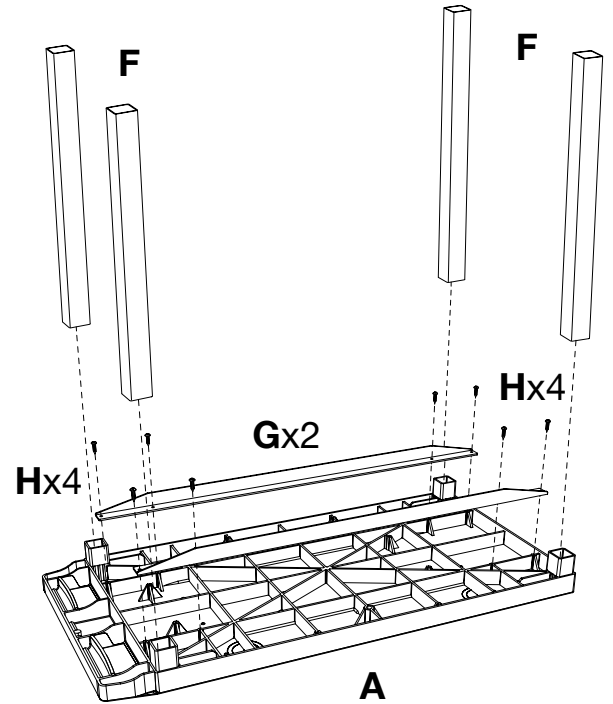
2 Shelf 18 x 32 Tub Cart Instructions w/ Cross Bar Supports



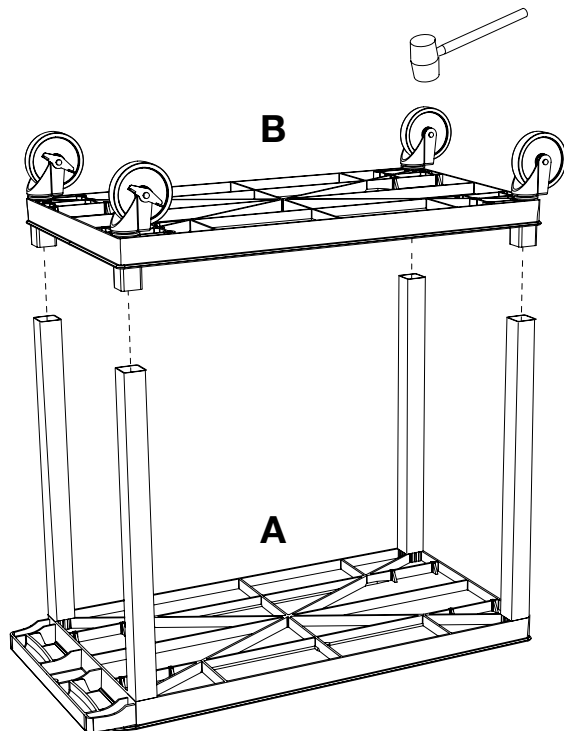
1



2



3



4

