

Luxor EC111HD-BU 32" x 18"
High-Capacity Blue 3-Tub
Shelf Utility Cart

Instruction Manual



Provided by

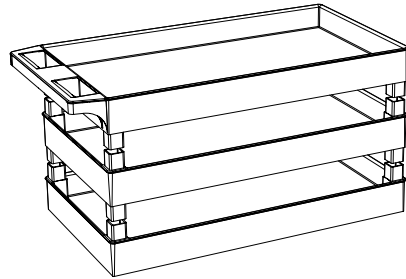
MyBinding.com
When Image Matters.

Call Us at 1-800-944-4573

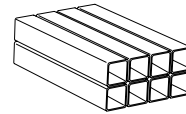
LUXOR

EC111HD
3 Shelf 18 x 32
Tub Cart Instructions
 w/ Heavy Duty Casters

Parts List

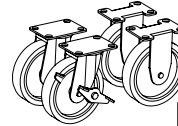


A x1
C x1
B x1



F x8

D x2

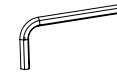


E x2

Tools Required

01/09/18

- Rubber Mallet
- Phillips Screwdriver



J x1



G x16

Threaded insert

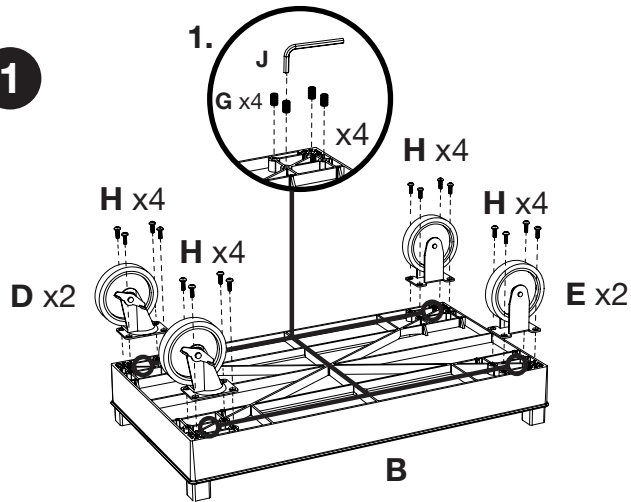


H x16

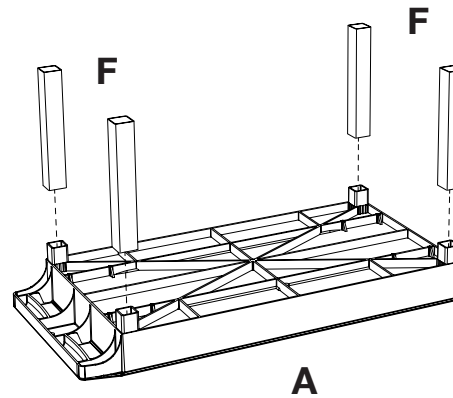
Threaded screw

Shelves may be flat or tub depending on the model purchased.

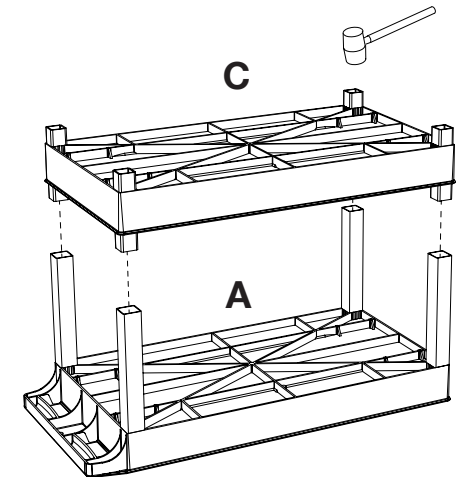
1



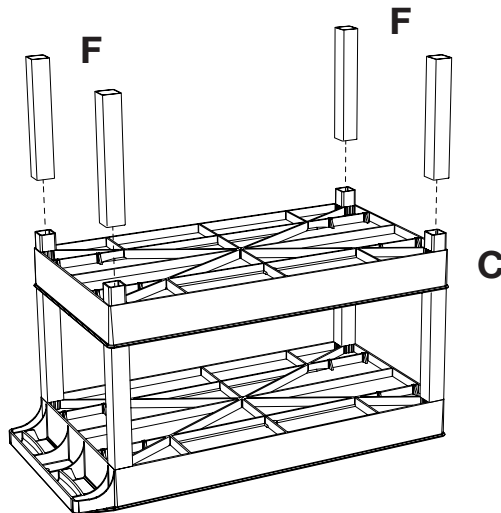
2



3

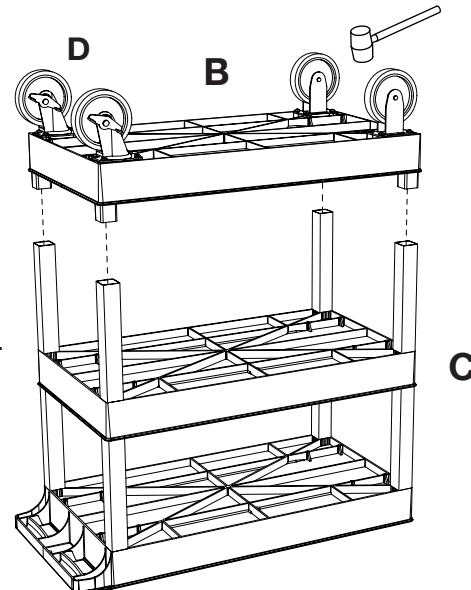


4



5

Position shelf **B** with swivel casters **D**, on or away from handle for desired steering.



6

