

Luxor Crank Adjustable Flat Panel LCD TV Cart

Instruction Manual

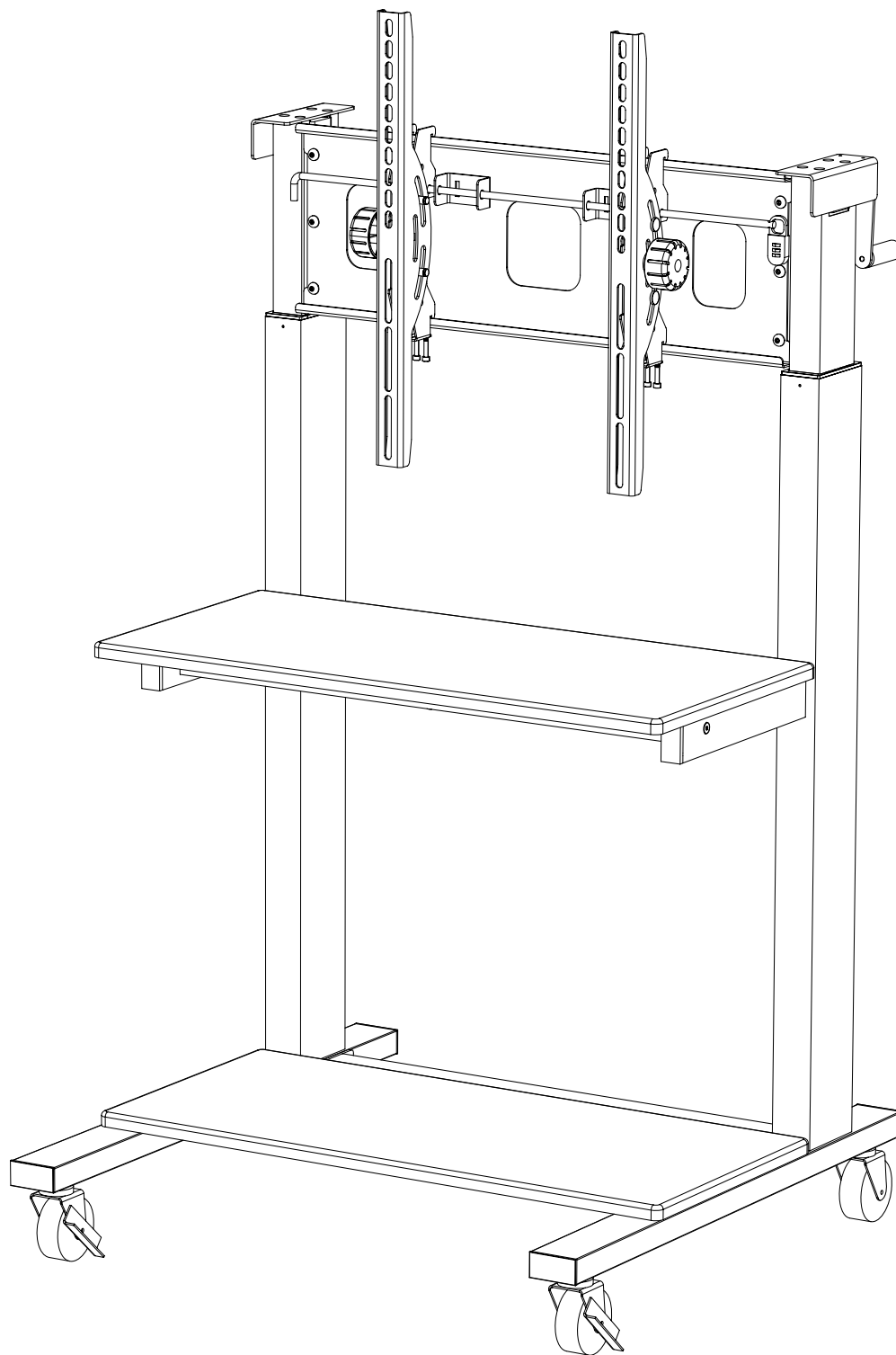


Provided by

MyBinding.com

When Image Matters.

Call Us at 1-800-944-4573



Crank Adjustable Flat Panel TV Cart
Assembly Guide

Table of Contents

Table of Contents	2
Parts List & Hardware	3
<u>Assembly and Installation</u>	
Assembly of the right and left frame	4
Attach lower cross supports and crank rod	5
Position flat panel mounting plate.	6
Attach flat panel mounting plate	7
Attach lower shelf to frame	8
Install the upper cross bar.	9
Flip the unit upright	10
Attach upper shelf to frame.	11
Install mounting hardware to display.	12
Attach display to unit.	13
Install the locking system	14
Unit complete	15

Tools Recommended

- Phillips Screwdriver
- Soft Surface
- Marker

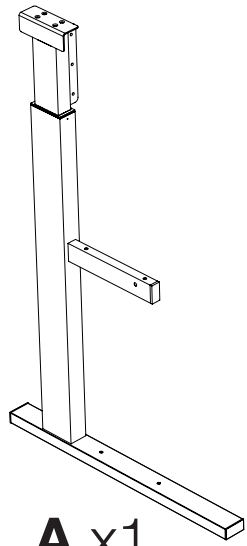
ATTENTION!

Do not fully tighten screws until completely assembled

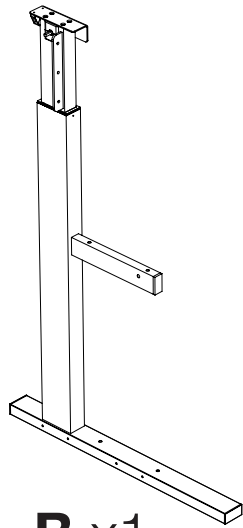
A FLAT PANEL TV CART THAT FITS YOU

This unit was built with you in mind and every detail was carefully crafted. The following assembly guide is best accomplished with two people. If you have any questions or concerns give us a call at: **1-800-323-4656** or email at: **customerservice@luxorfurn.com**

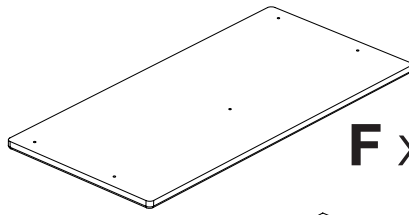
Parts List



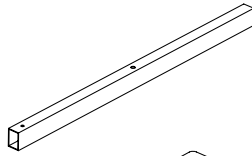
A x1



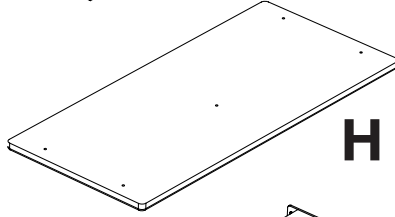
B x1



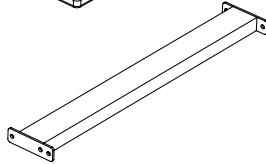
F x1



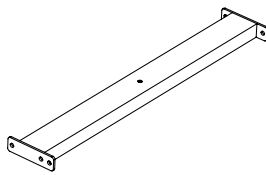
G x1



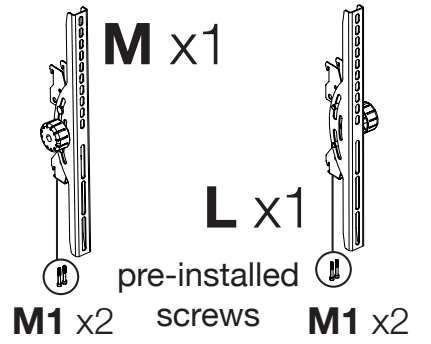
H x1



J x1



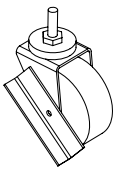
K x1



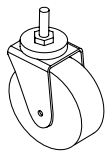
M x1

L x1

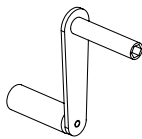
pre-installed screws **M1 x2**



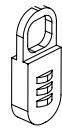
C x2



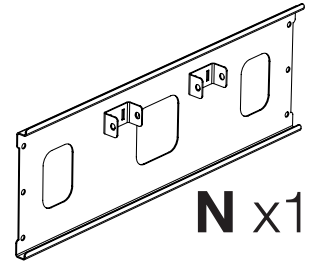
R x2



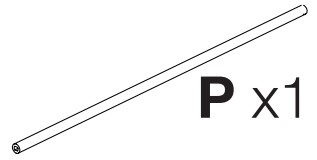
D x1



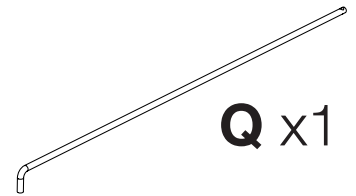
E x1



N x1

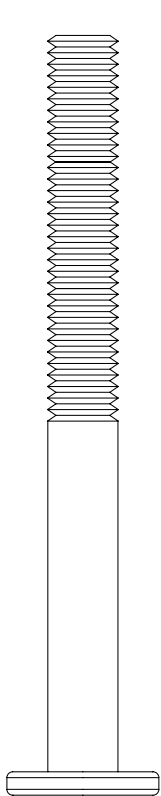


P x1

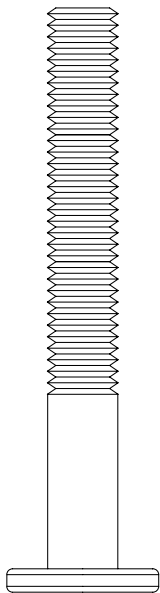


Q x1

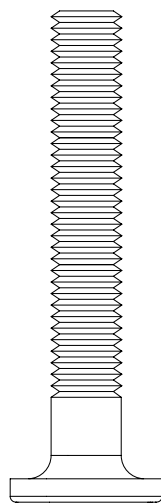
Hardware (Actual Size)



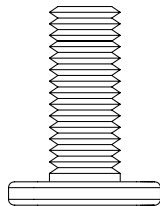
1 x4
M6x63



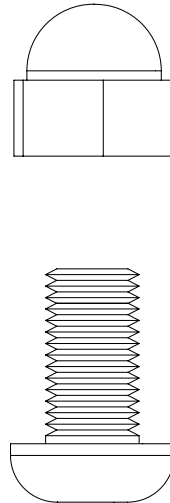
2 x3
M6x48



3 x5
M6x40

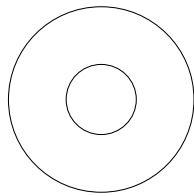


4 x8
M6x15

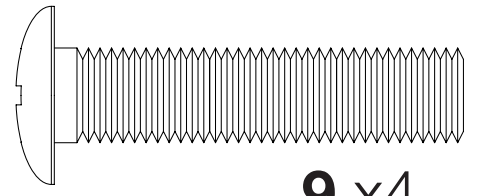
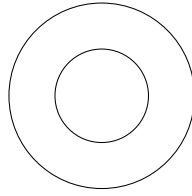


5 x6
M8x15

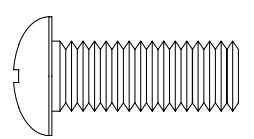
12 x4
Small



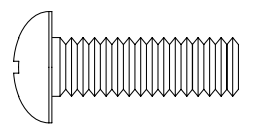
13 x4
Large



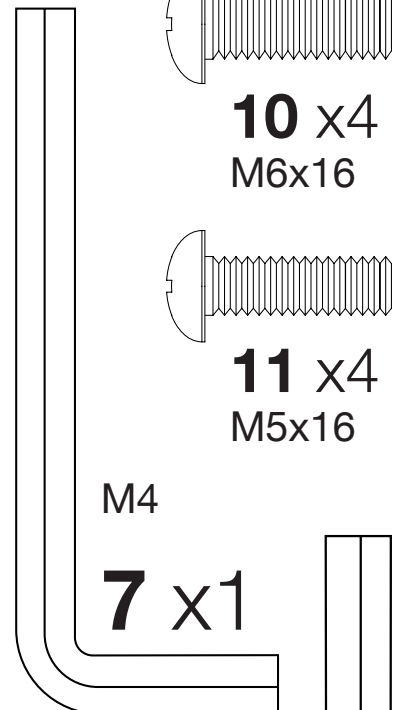
9 x4
M8x35



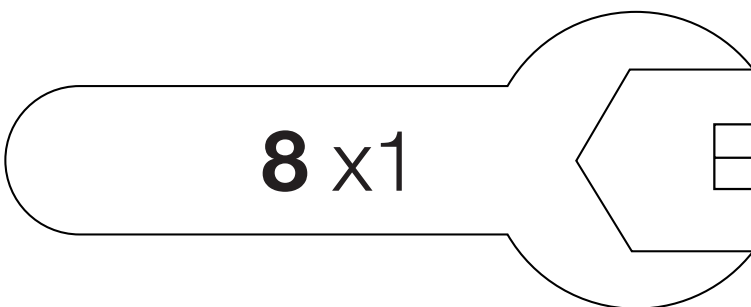
10 x4
M6x16



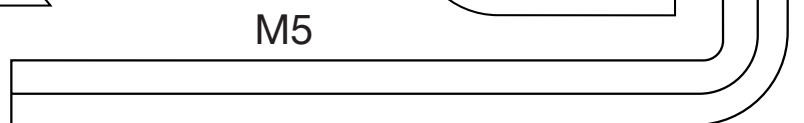
11 x4
M5x16



7 x1
M4



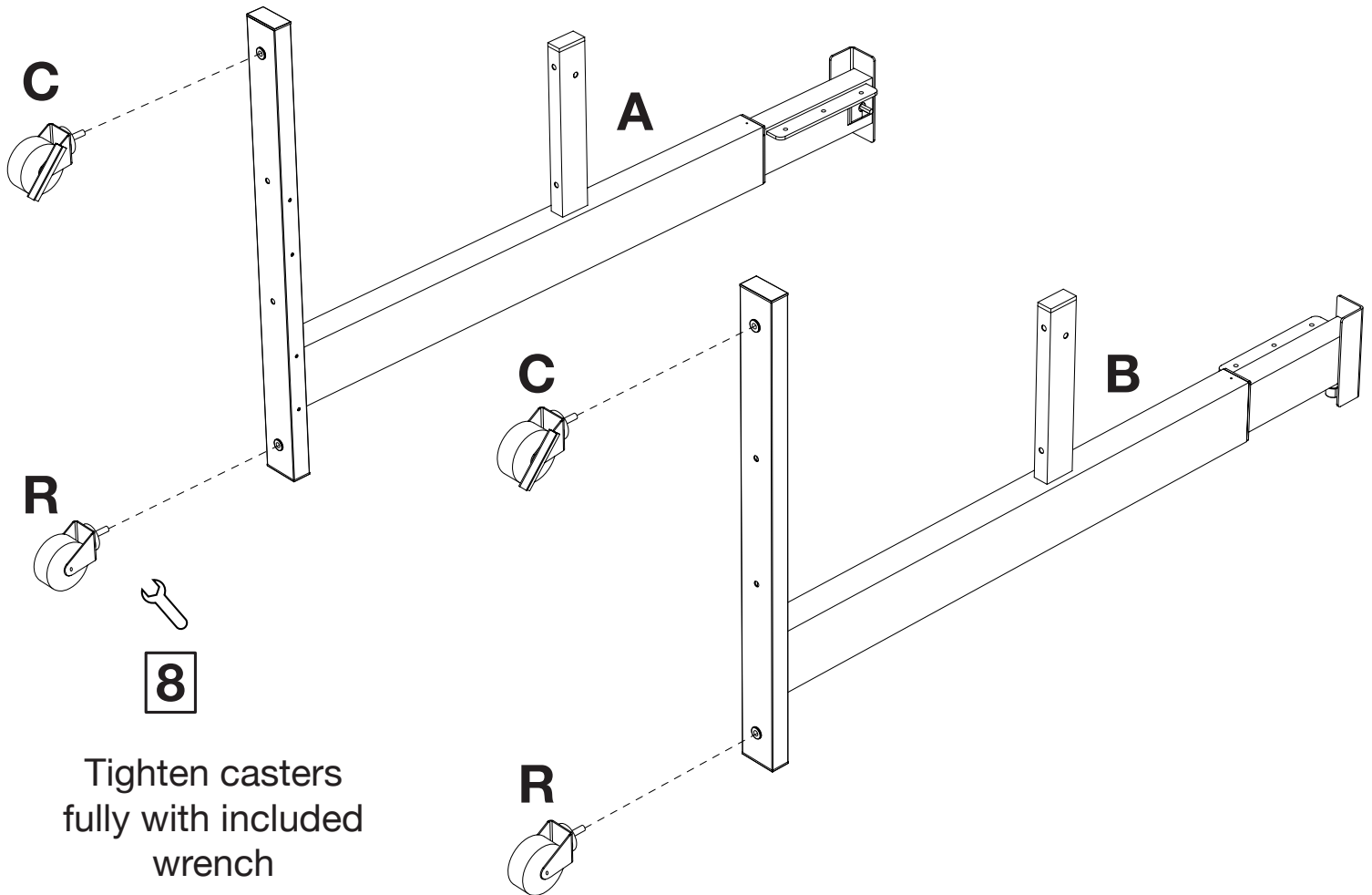
8 x1



M5

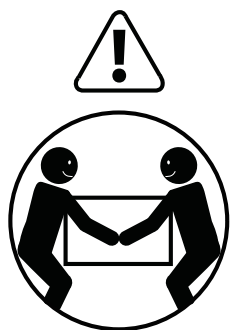
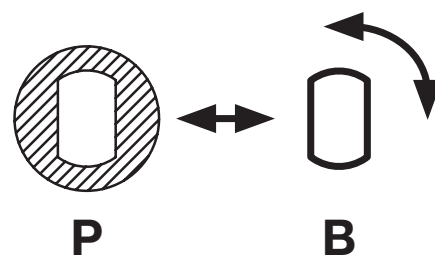
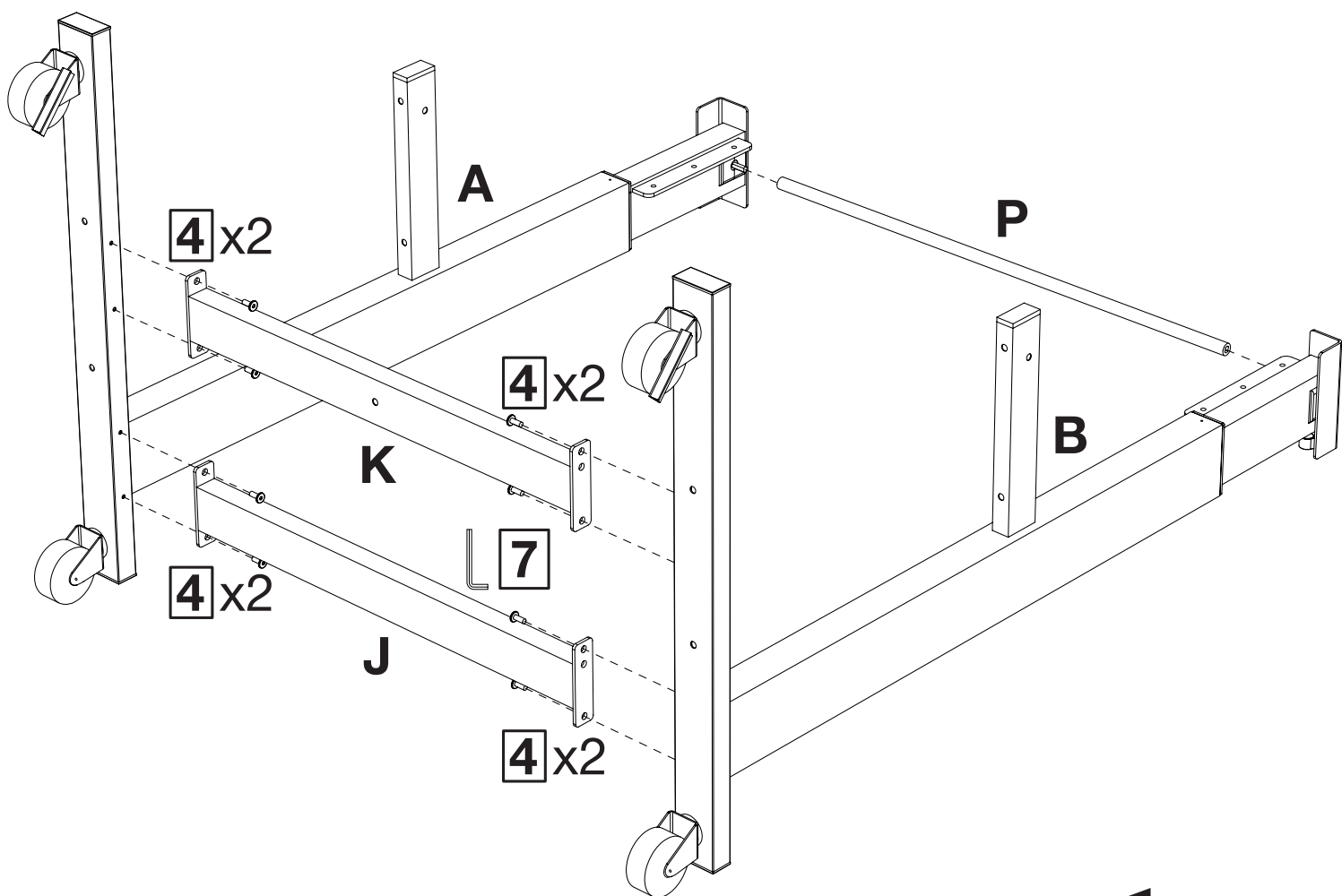
14 x1

1 Assembly of the right and left frame



Gather Parts:
A, B, C, R, 8

2 Attach lower cross supports and crank rod

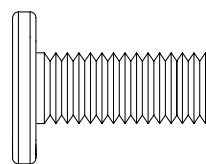


**Assistance
Recommended**

IMPORTANT: Using the crank handle for minor adjustments, align the crank adjustment rod so that it seats fully into both sides of frame.

Gather Parts:
K, J, P, 7

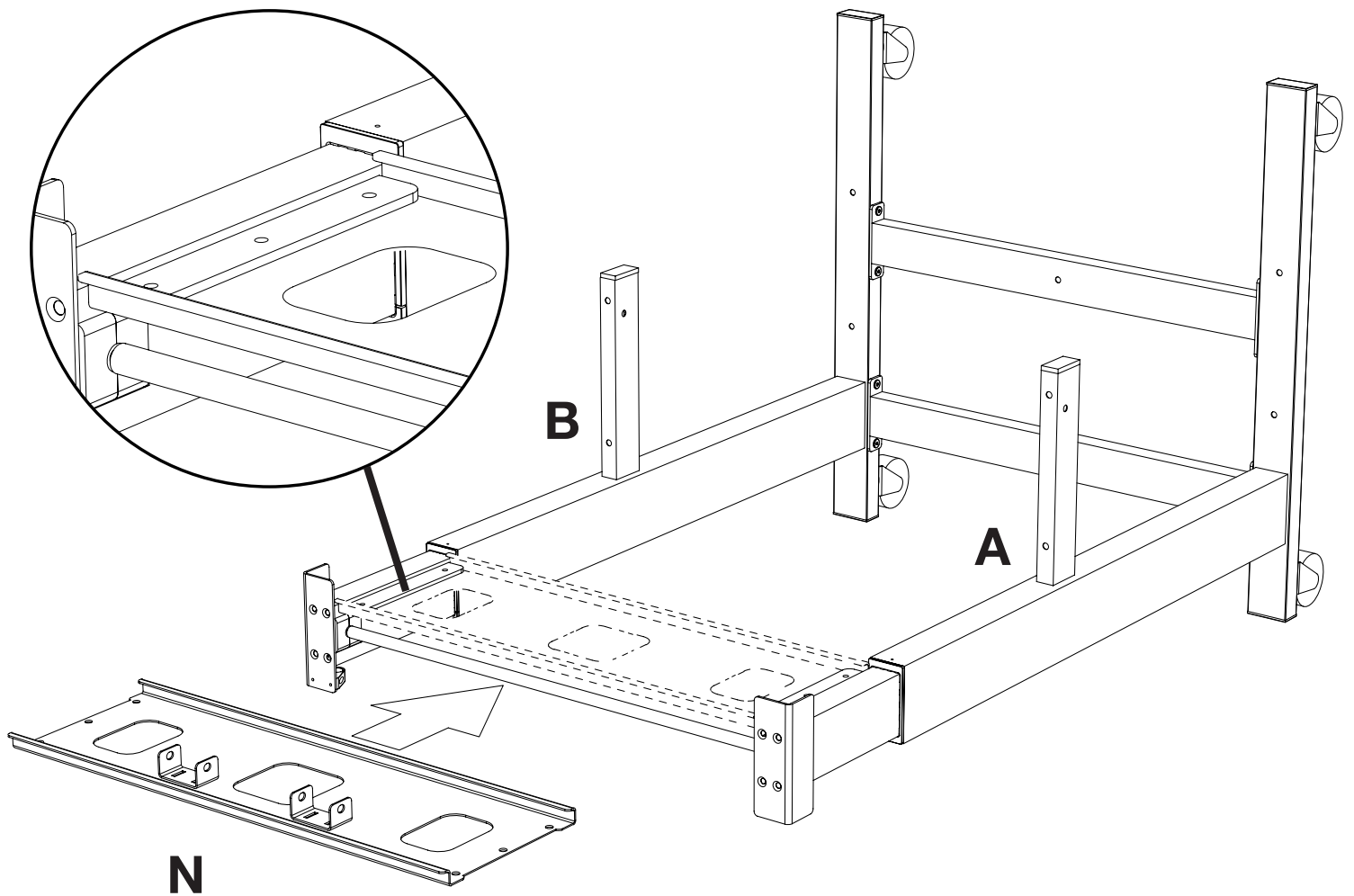
&



**4 x8
M6x15**

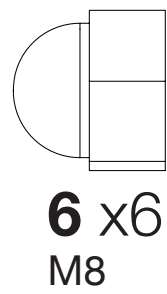
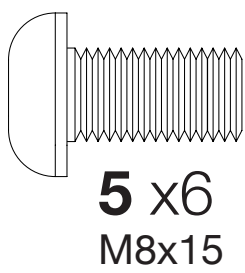
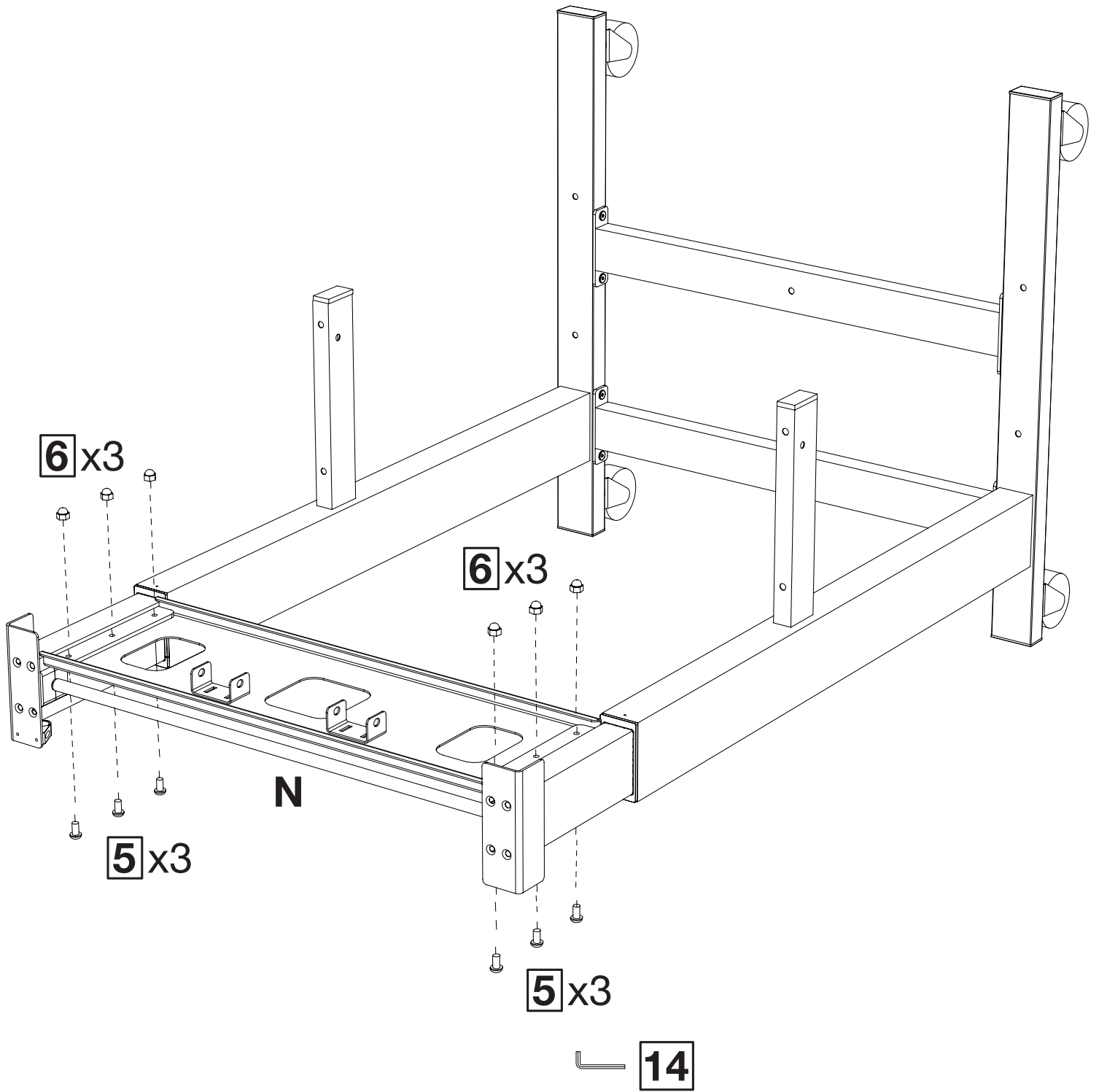
3 Position flat panel mounting plate

IMPORTANT: Position mounting plate **N** so that it is behind the screw hole tabs of the left and right frame **B** & **A**.

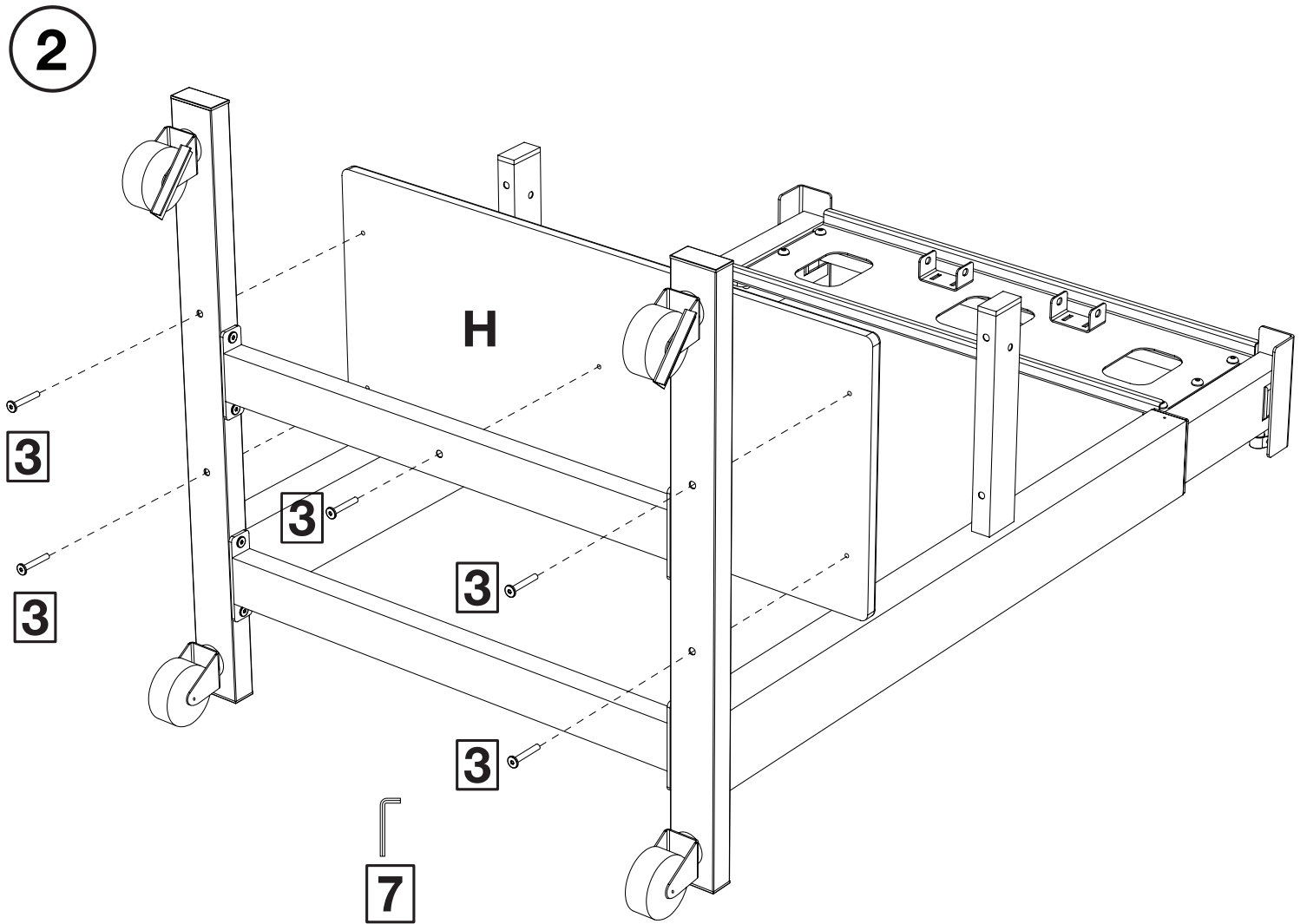
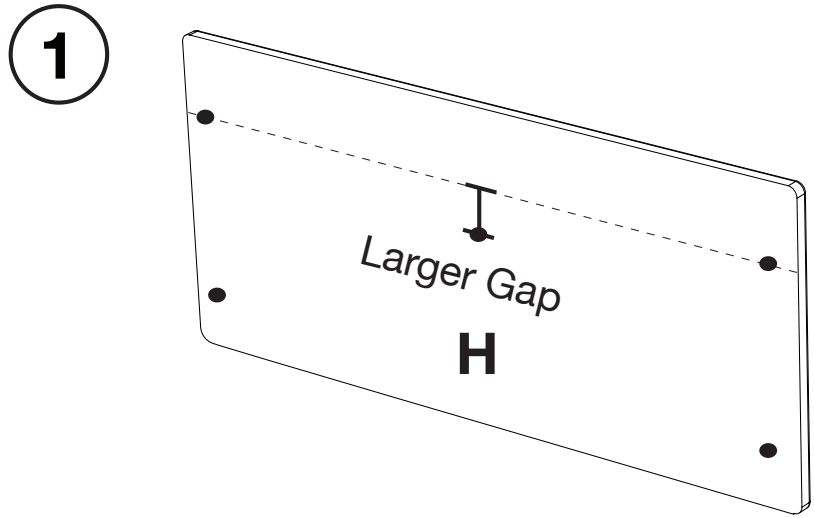


Gather Parts:
N

4 Attach flat panel mounting plate

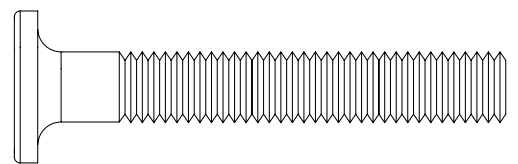


5 Attach lower shelf to frame



Gather Parts:
H

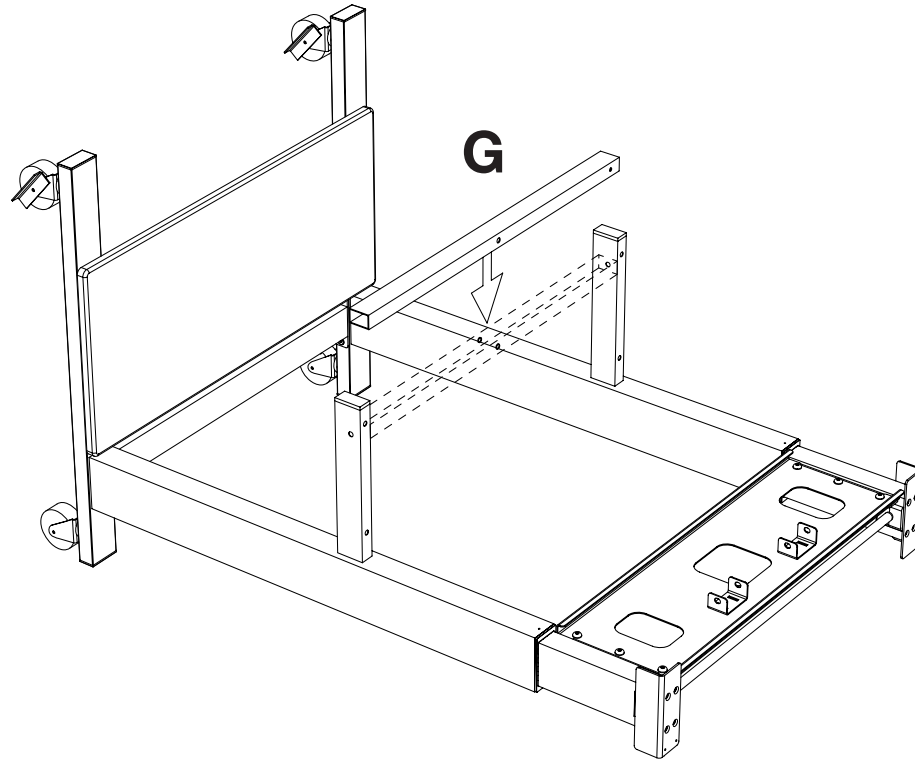
&



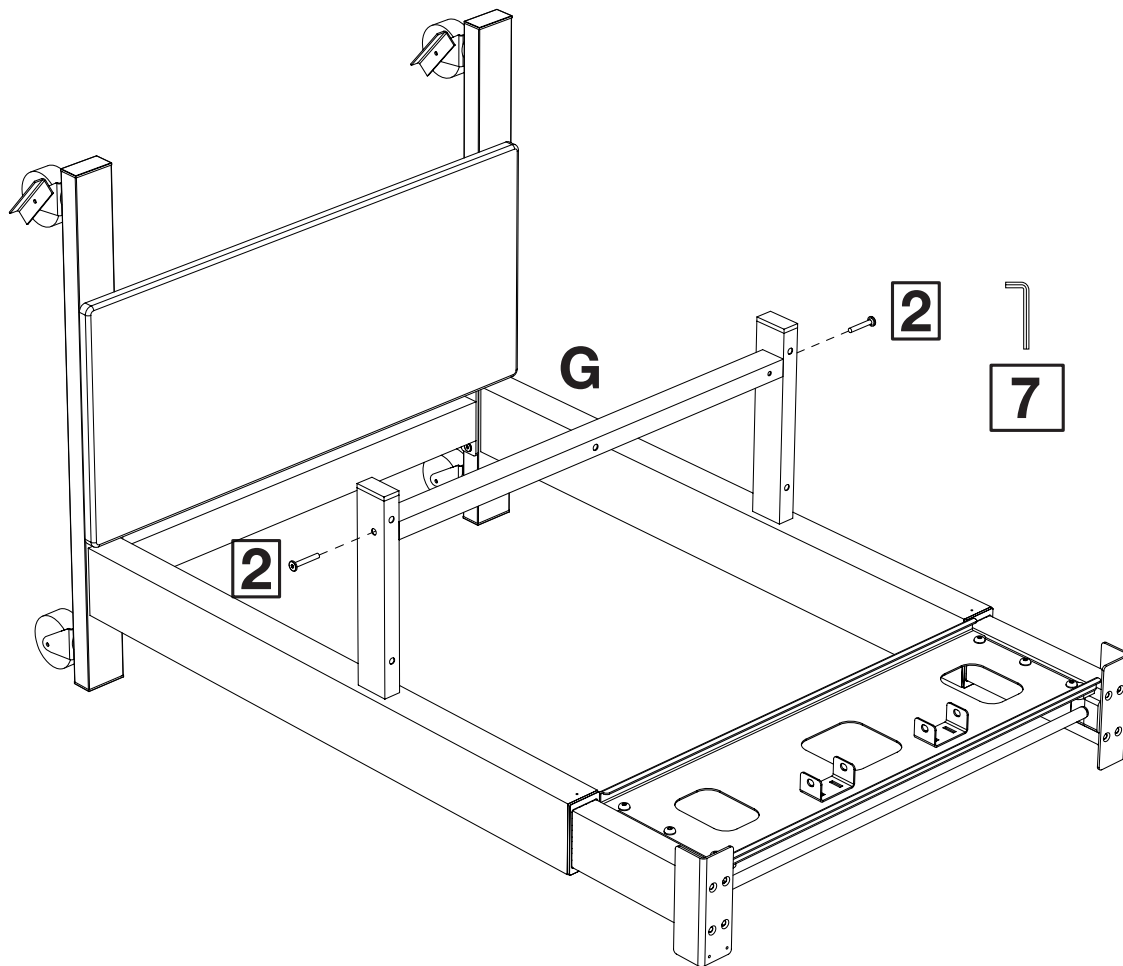
3 x5
M6x40

6 Install the upper cross bar

1

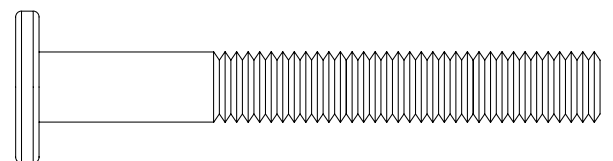


2



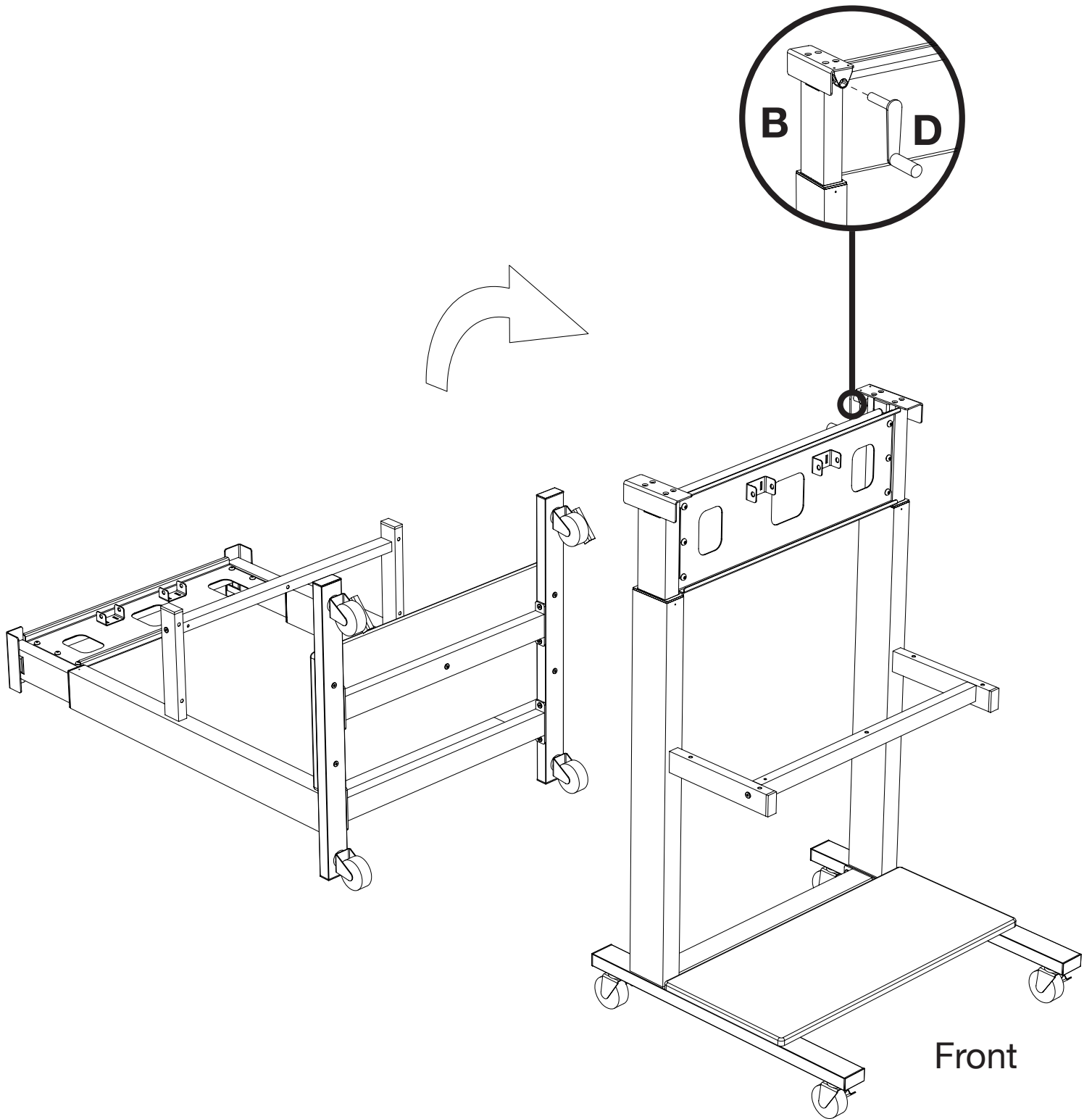
Gather Parts:
G

&

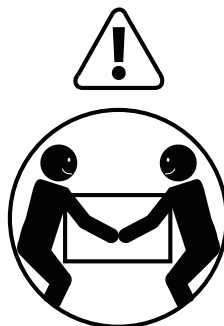


2 x2
M6x48

7 Flip the unit upright

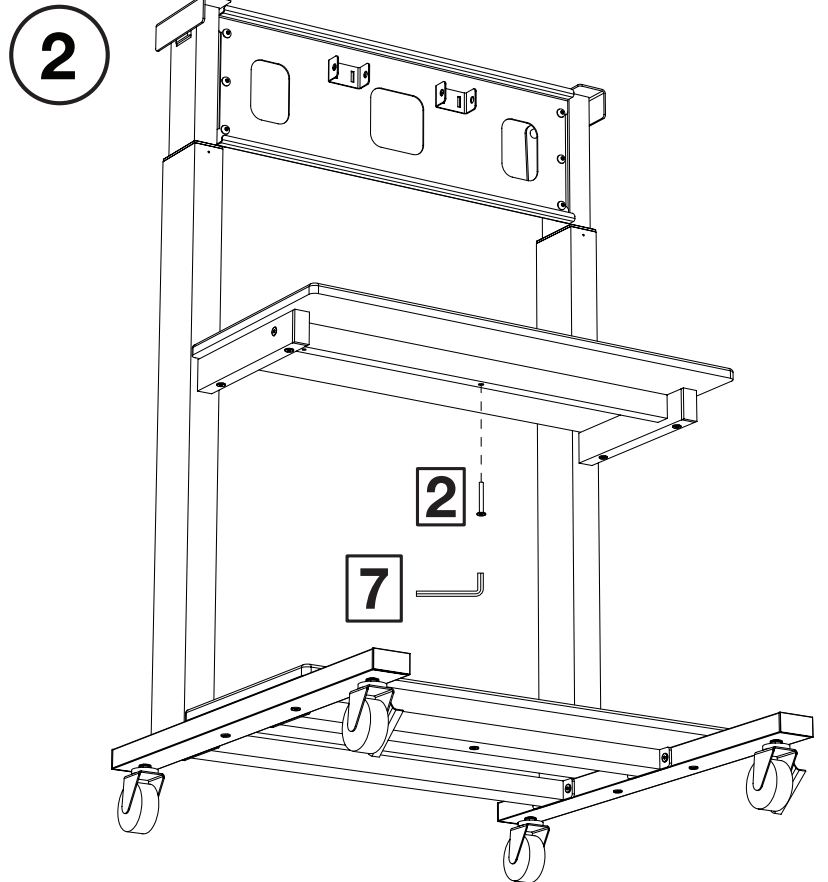
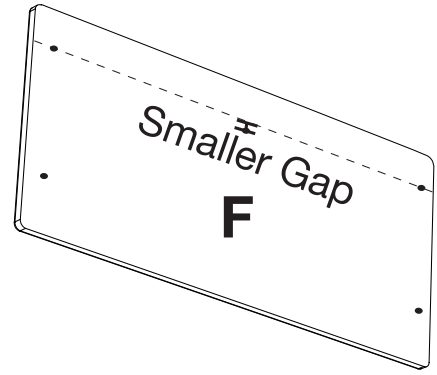
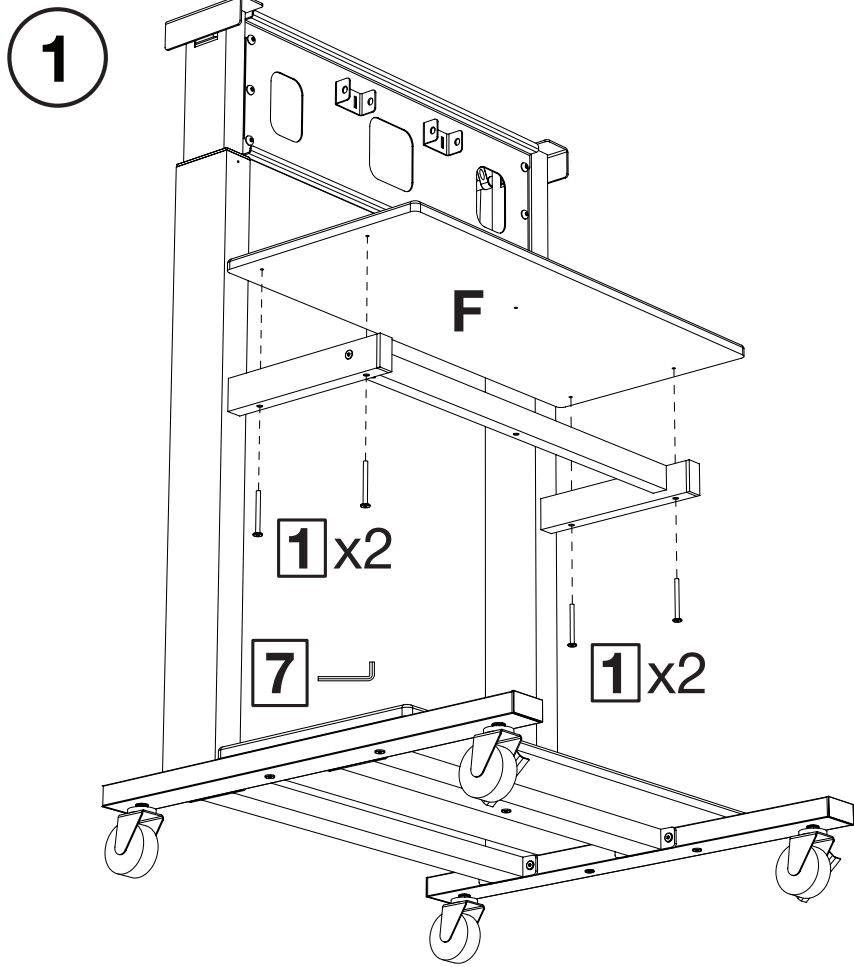


Gather Parts:
D



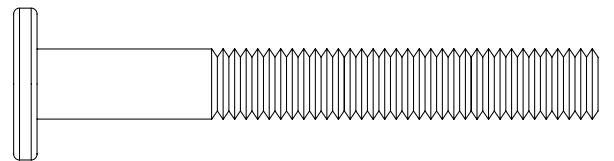
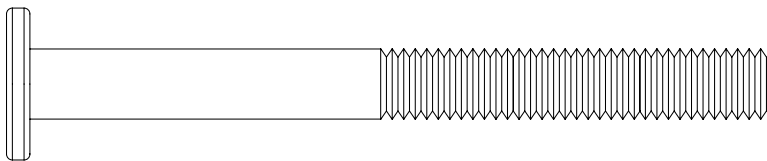
**Heavy Lifting:
Assistance
Required**

8 Attach upper shelf to frame



Gather Parts:
F

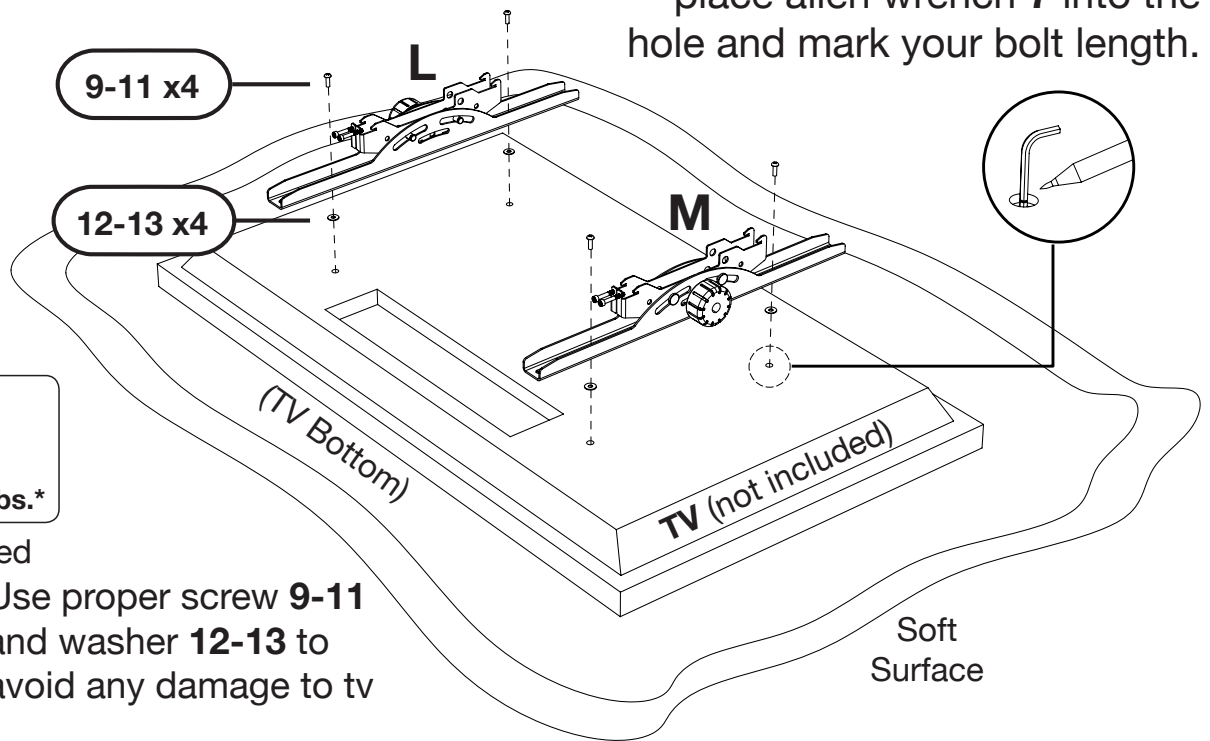
&



9 Install mounting hardware to display

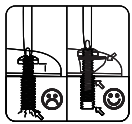
1

place allen wrench 7 into the hole and mark your bolt length.



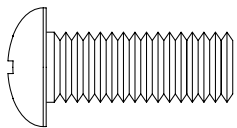
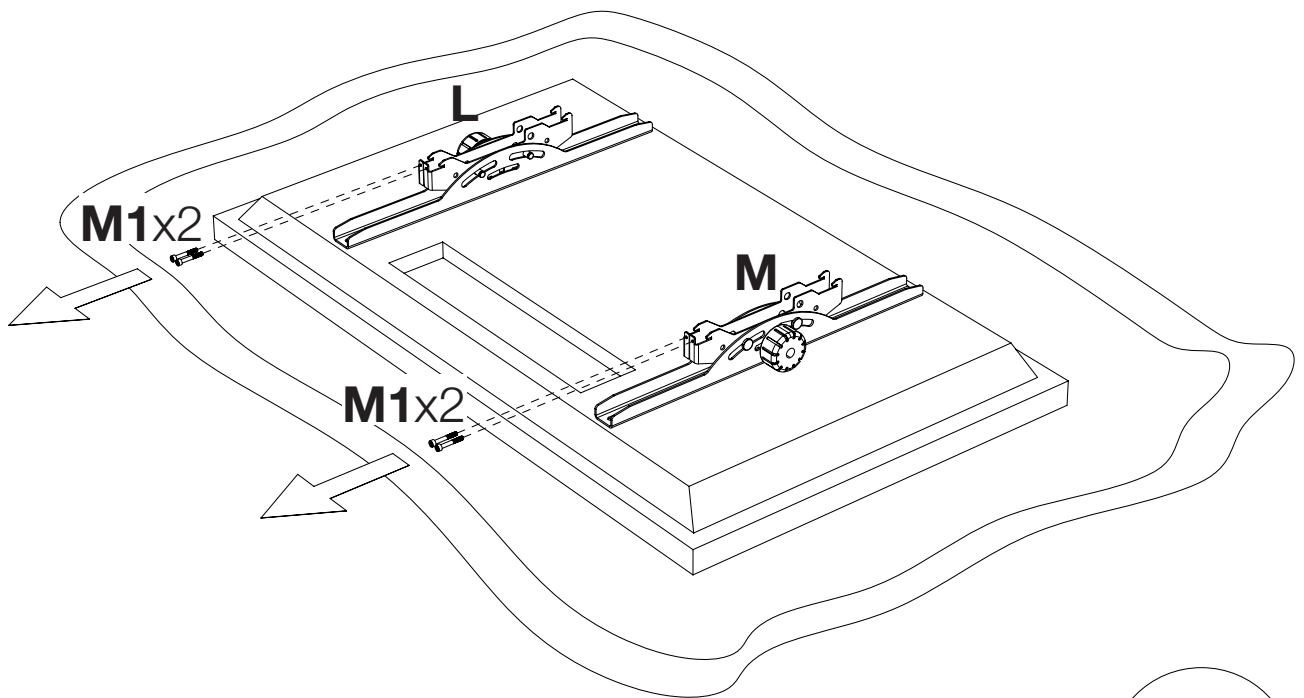
Screen Size: 32" - 80"
 Max. TV: 110 lbs.
 Per Shelf: 33 lbs.*
 Total Capacity: 209 lbs.*

*evenly distributed

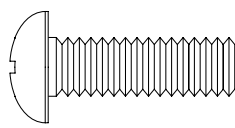


Use proper screw **9-11** and washer **12-13** to avoid any damage to tv

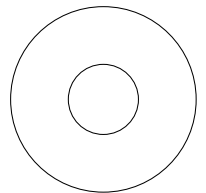
2



10 x4
M5x16



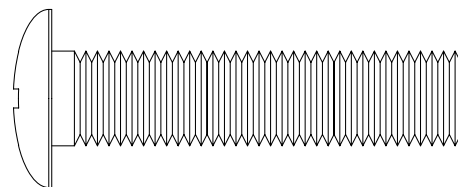
11 x4
M6x16



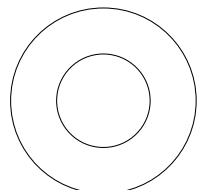
12 x4
M6

Gather Parts:
L, M

&



9 x4
M8x35

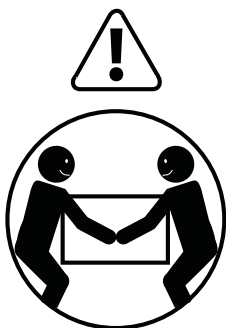
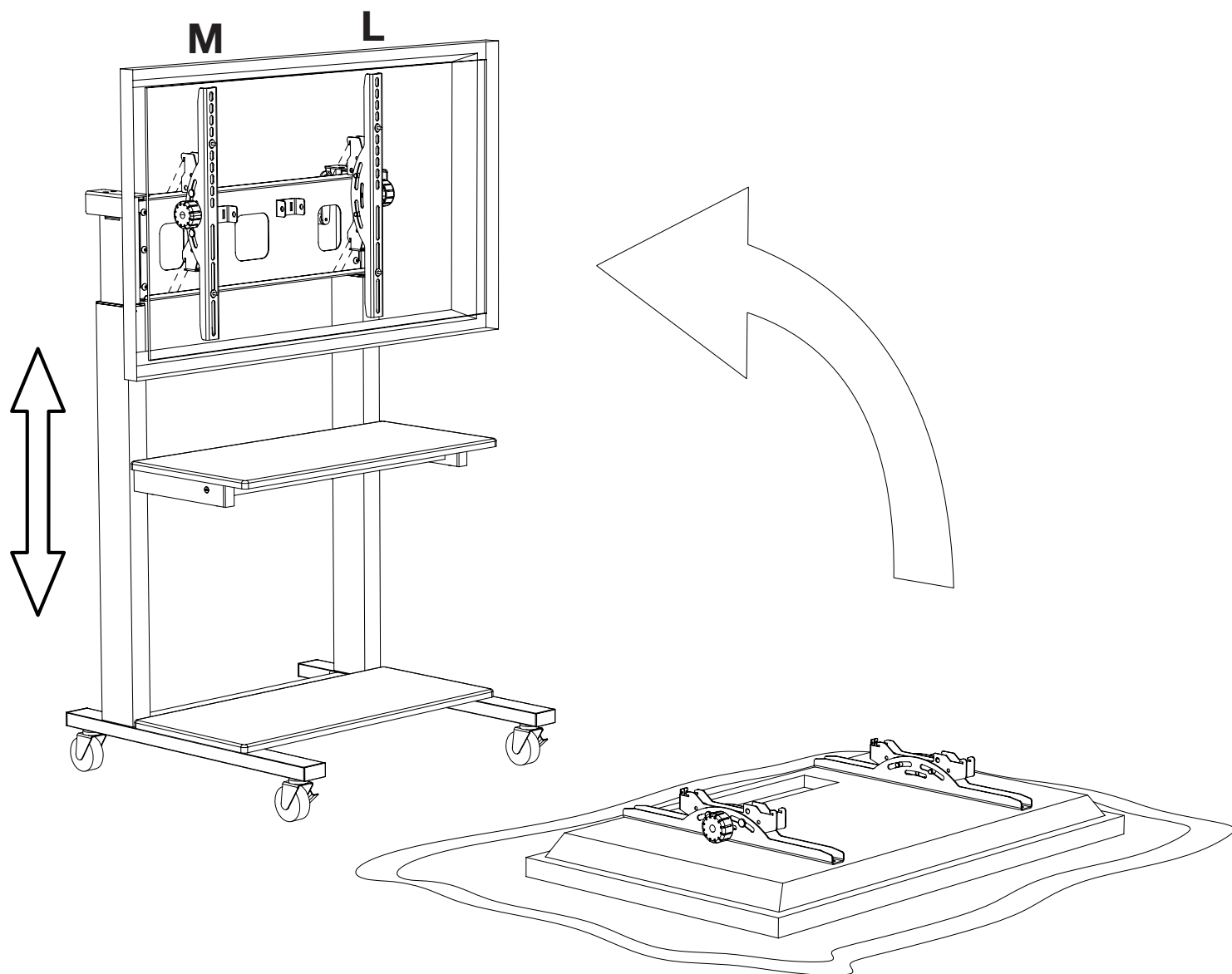


13 x4
M8

10 Attach display to unit

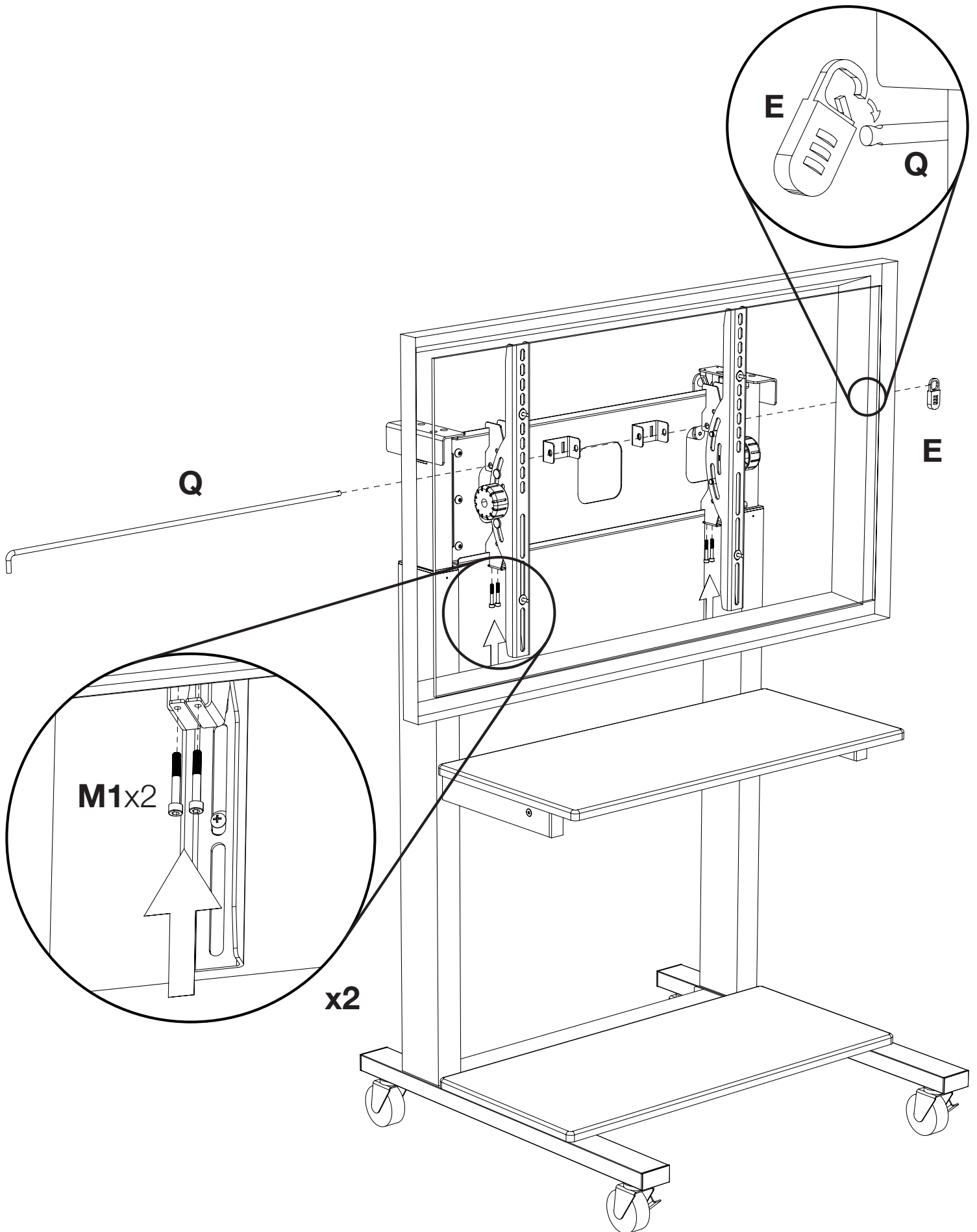


Make sure the crank adjustment is at the minimum required height so that the TV and shelf have proper spacing in between.



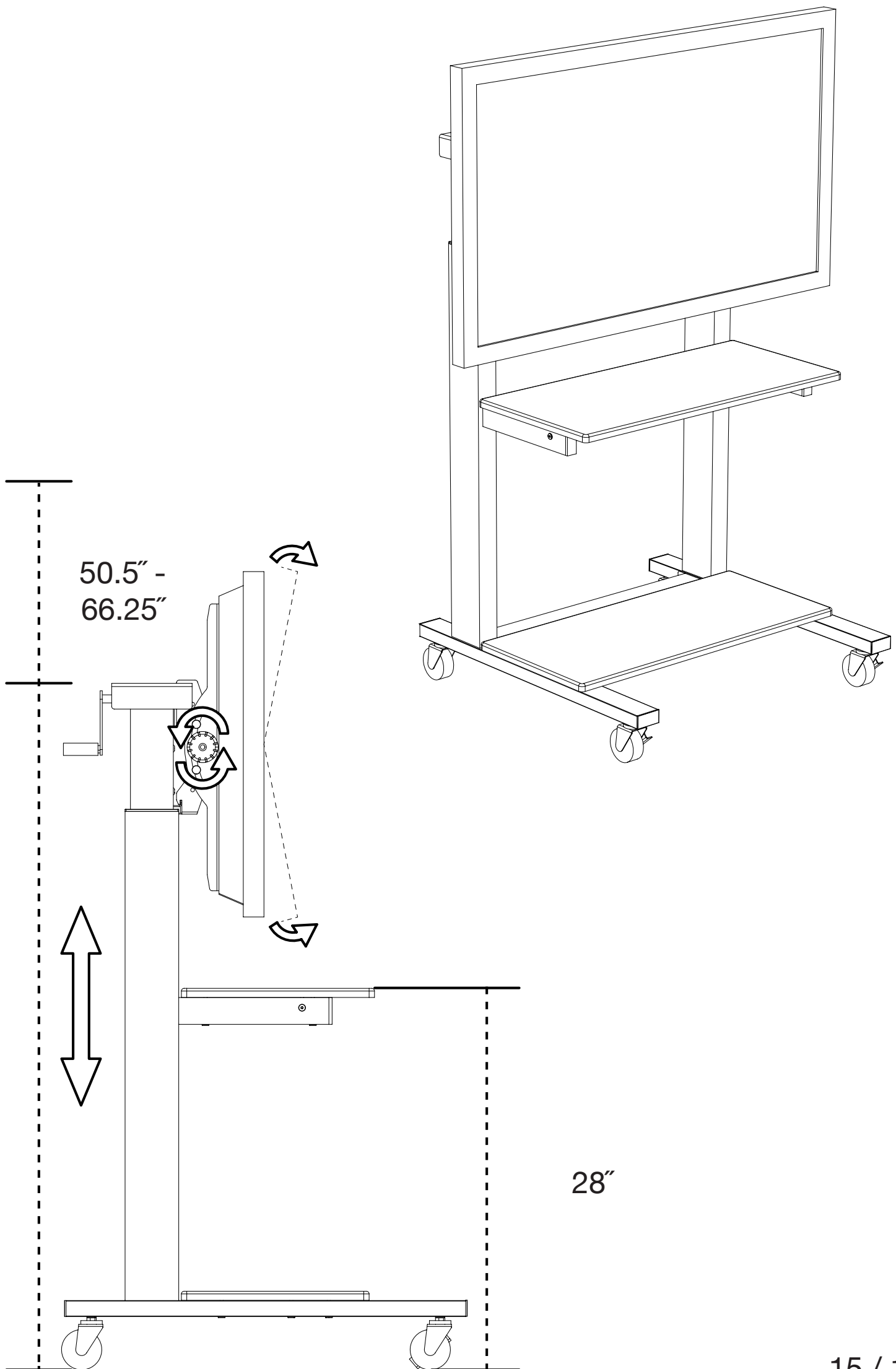
**Heavy Lifting:
Assistance
Required**

11 Install the locking system



Gather Parts:
Q , E , M1

12 Unit complete



Questions or Feedback Call Us at:

800-323-4656