

# ***Martin Yale BCS410 10up Business Card Slitter - Score and Perf***

Parts List



*Provided by*

**MyBinding.com**

*When Image Matters.*

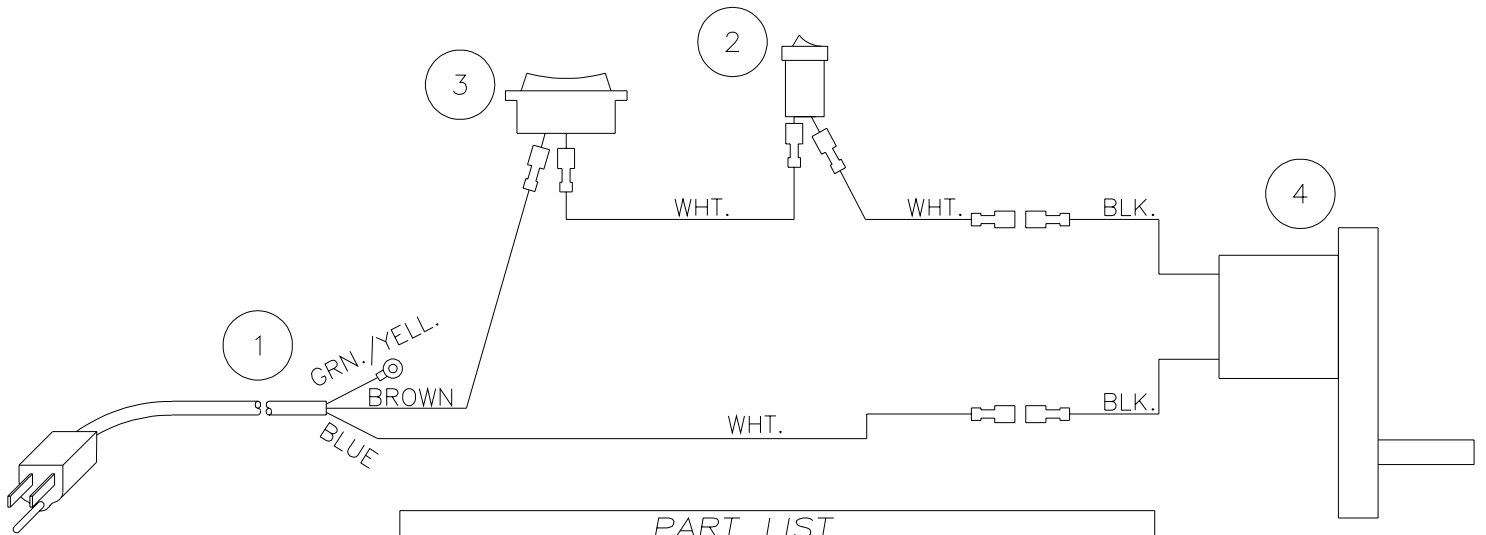
Call Us at 1-800-944-4573

BCS 410/412, SP100, BCS 104, BCS 210/212 Parts List
---

<u>Item Number</u>	<u>Part Number</u>	<u>Description of Part</u>
1.	W-ODT0019	Adjustment Block
2.	M-S031092	Spring
3.	W-ODT0015	Sheet Separator
4.	W-IDT1119	Feed Bracket
5.	M-S032046	Thumb Screw Knob
6.	M-S019033	Stand Off
7.	W-ODT1123	Pressure Finger
8.	W-ODT0016	Adjust Bar
9.	W-ODT1124	Paper Support
10.	M-S032007	Knob
11.	W-ODT0014	Right Hand Guide
12.	W-ODT0013	Left Hand Guide
13.	W-ODT0010	Drive Cover
14.	W-ODT0011	Drive Cover
15.	W-ODT0012	Drive Cover
16.	M-S019031	Stand Off
17.	M-S022132	15T Pulley
18.	M-S022130	10T Pulley
19.	M-S022015	12T Pulley
20.	M-S022131	14T Pulley
21.	M-S63751563	Pulley 20XL
22.	M-S025054	125T Double Sided Belt
23.	M-S025053	95T Double Sided Belt
24.	M-S025052	65T Double Sided Belt
25.	M-S030045	Bumpers
26.	M-S021061	Motor
27.	W-ODT0007	Rear Cover
28.	W-OST0008	Rear Cover
29.	W-ODT0009	Rear Cover
30.	W-ODT0024	Receiver Tray
31.	W-ODT0023	Receiver Base Form
32.	W-ODT0021	10 Up Catch Tray
33.	W-ODT0020	12 Up Catch Tray
34.	W-ODT0001	Housing Assembly
35.	W-ODT0002	Housing Assembly
36.	W-ODT0003	Housing Assembly
37.	W-ODT0004	Housing Assembly
38.	W-ODT0017	Slitter Shaft
39.	M-S014029	3/8 Clip Bearing
40.	W-ODT0115	Tension Collar
41.	M-ODT1105	Blade
42.	M-S031091	Blade Spring
43.	M-O200134	1/2" Set Collar
44.	M-S014030	1/2 Clip Bearing
45.	W-ADT1114	Feed Roll Assembly
46.	M-S014031	5/8 Clip Bearing
47.	M-O003076	Accessory Guide Roller

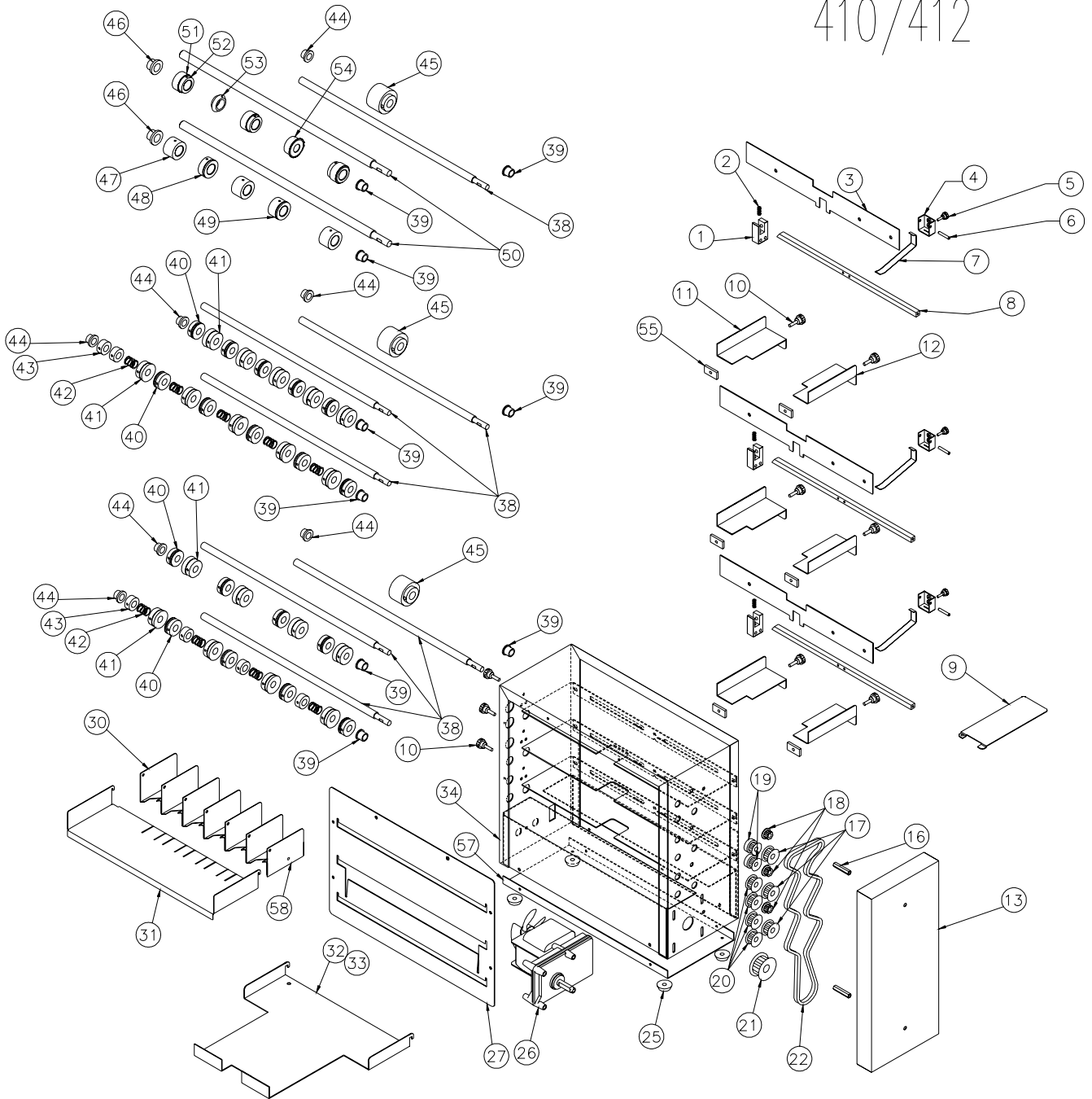
<u>Item Number</u>	<u>Part Number</u>	<u>Description of Part</u>
48.	M-O003082	Score Roller Back Up
49.	W-ODT1109	Groove Guide Roller
50.	W-ODT0018	Perf – Score Shaft
51.	M-O003080	Accessory Rubber
52.	M-O003079	Accessory Bushing
53.	M-O003083	Scoring Roller
54.	WRA03085D	Perf Roller
55.	W-ODT0107	Spacer
56.	M-S63751634	24T Pulley
57.	W-ODT0022	Base
58.	W-ODT0025	End Plate

BCS 410/412, SP100, BCS 104, BCS 210/212 Wiring Diagram

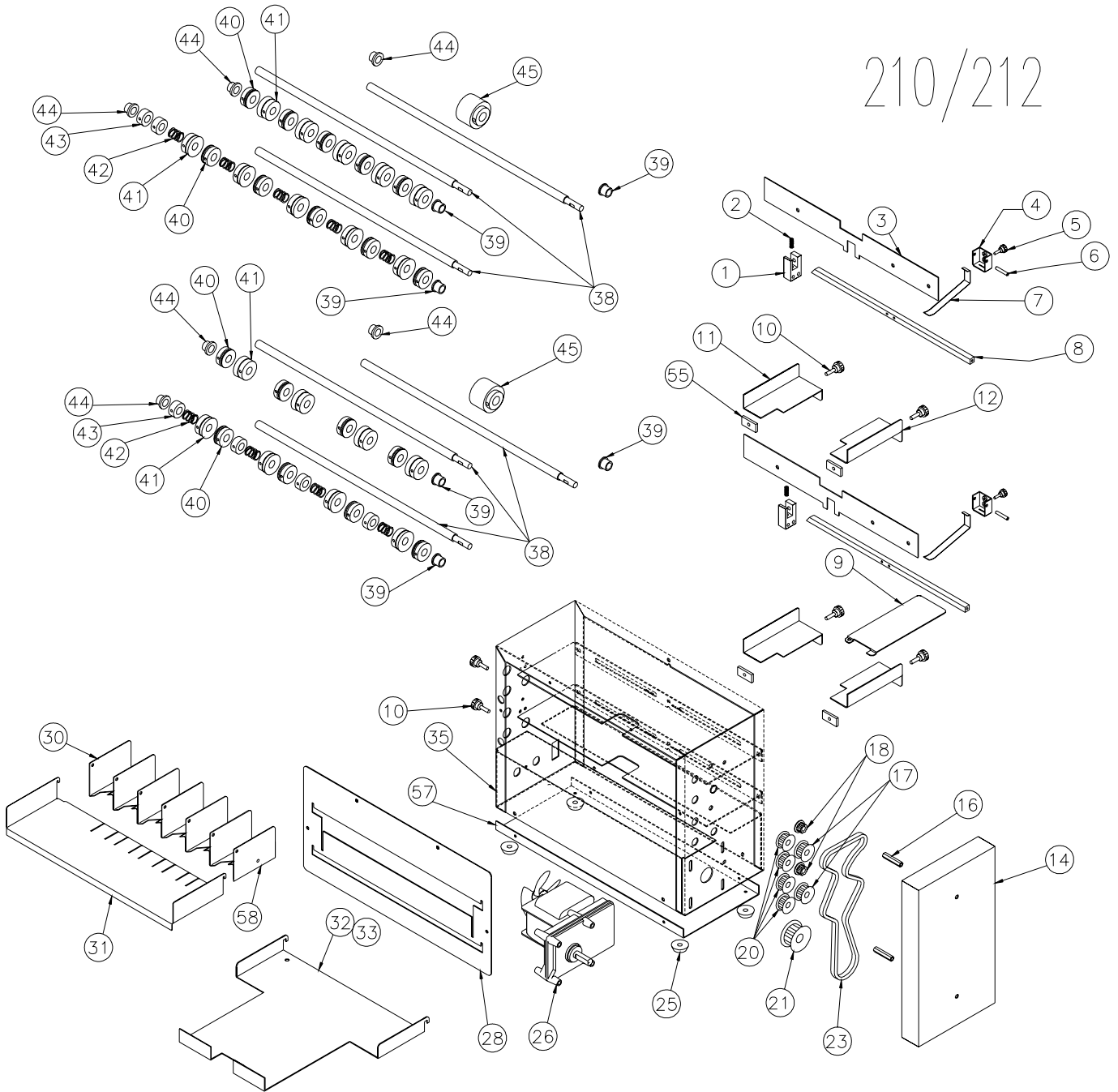


PART LIST			
FIG.	PART No.	DESCRIPTION	QTY.
①	M-S037020	110 VOLT CORD	1
②	M-S045237	1 AMP BCS CIR. BREAKER	1
③	M-S033053	SWITCH ON/OFF	1
④	M-S021073	110 V.A.C. BCS MOTOR	1

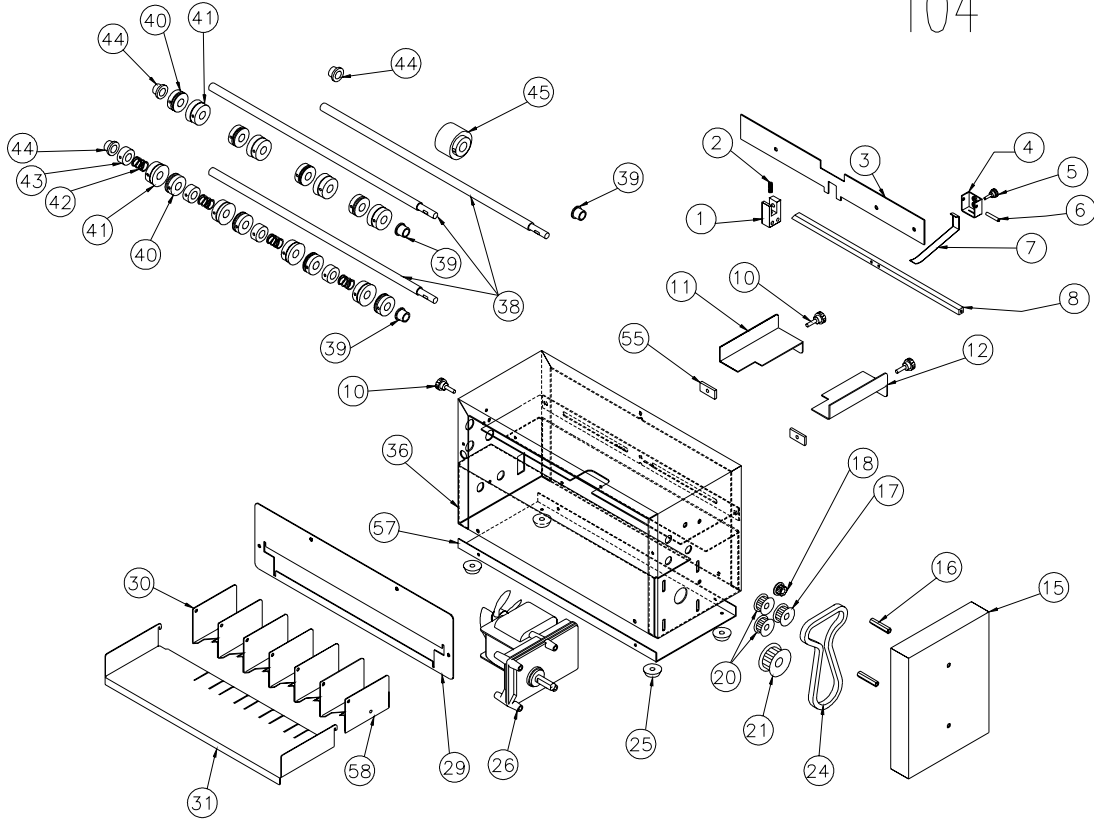
410/412



210/212



104



SP100

