

***H. Wilson Tuffy WT42ZE-B
Navy Blue 42" High Tuffy Utility
A/V Cart (3-Shelf Black Legs)***

Instruction Manual



Provided by

MyBinding.com
When Image Matters.

Call Us at 1-800-944-4573

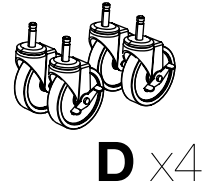
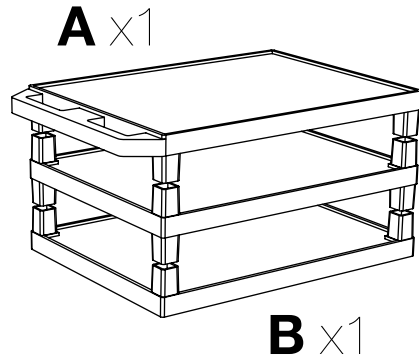
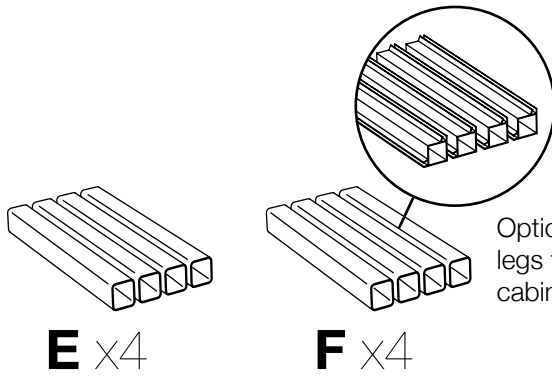
NOTICE:

Leg lengths of leg **E** may be shorter than leg **F**

Parts List

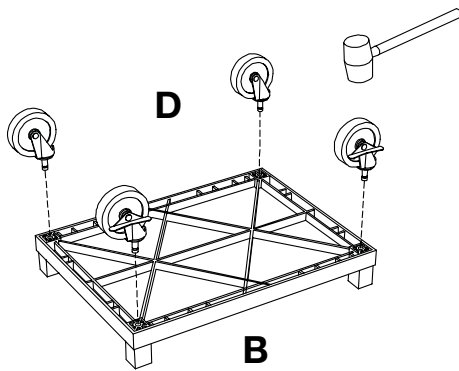
Tools Required

- Rubber Mallet



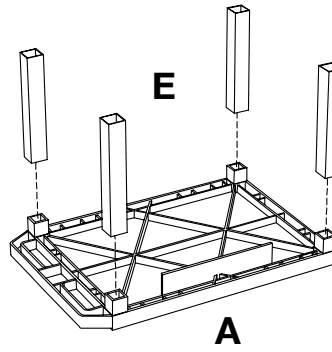
Optional fluted legs for units with cabinet pack

1

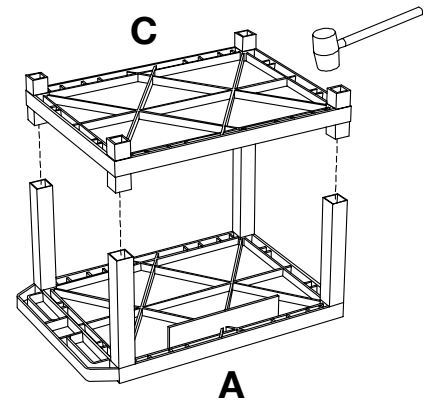


2

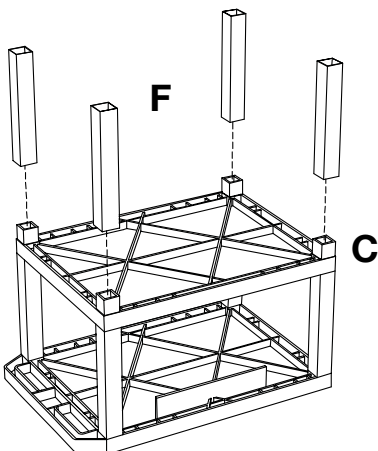
Install optional cabinet pack / pullout shelf / locking drawer assembly after step 1



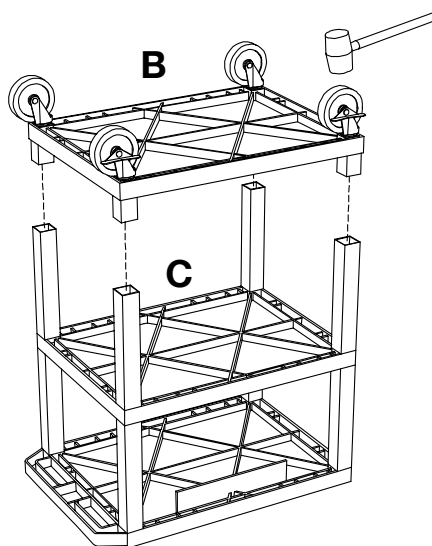
3



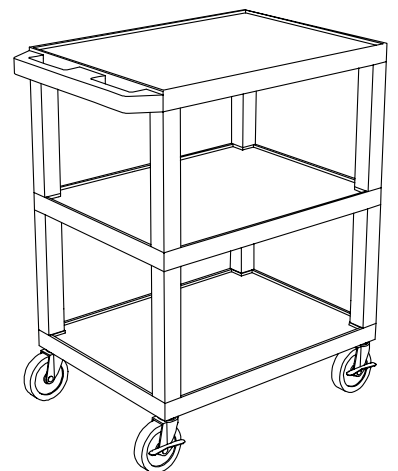
4



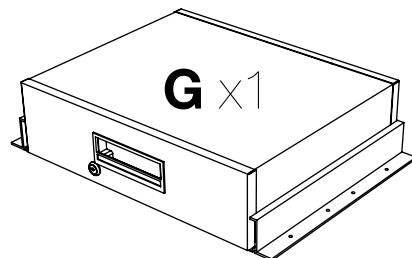
5



6

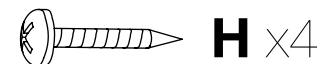


Parts List



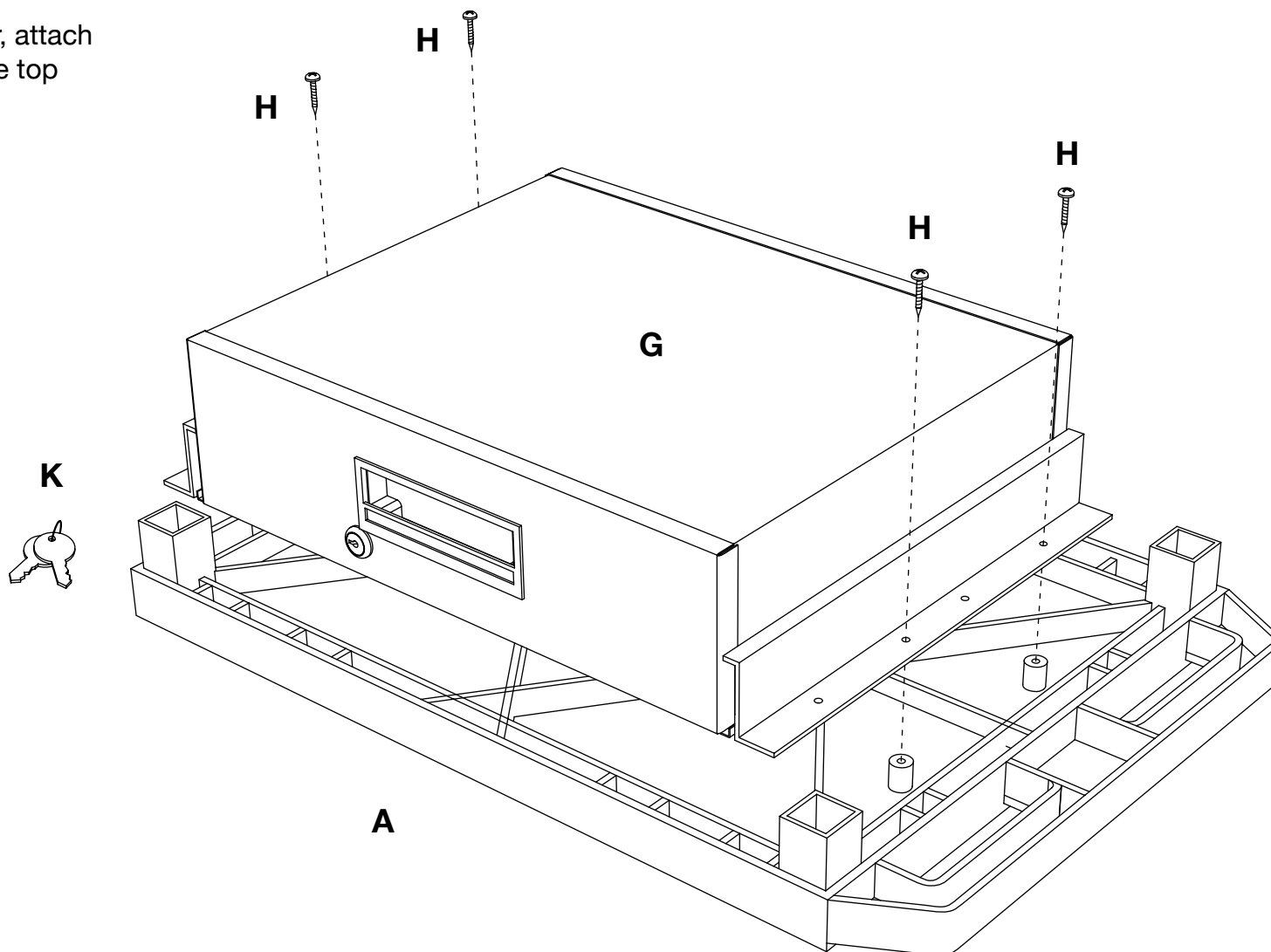
Tools Required

- Phillips Screwdriver



1

With a Phillips Screwdriver, attach the drawer assembly to the top shelf with the 4 screws.

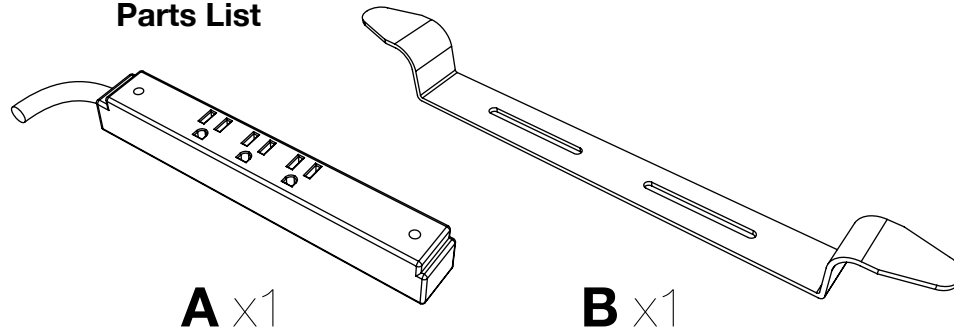


Call Us at
1-800-944-4573
for Orders or Inquiries

Electric Assembly Instructions

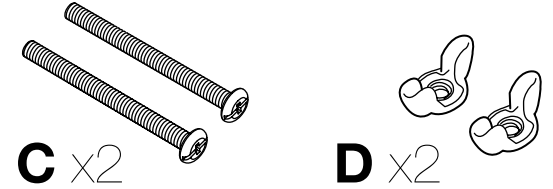
Number of outlets may vary.

Parts List

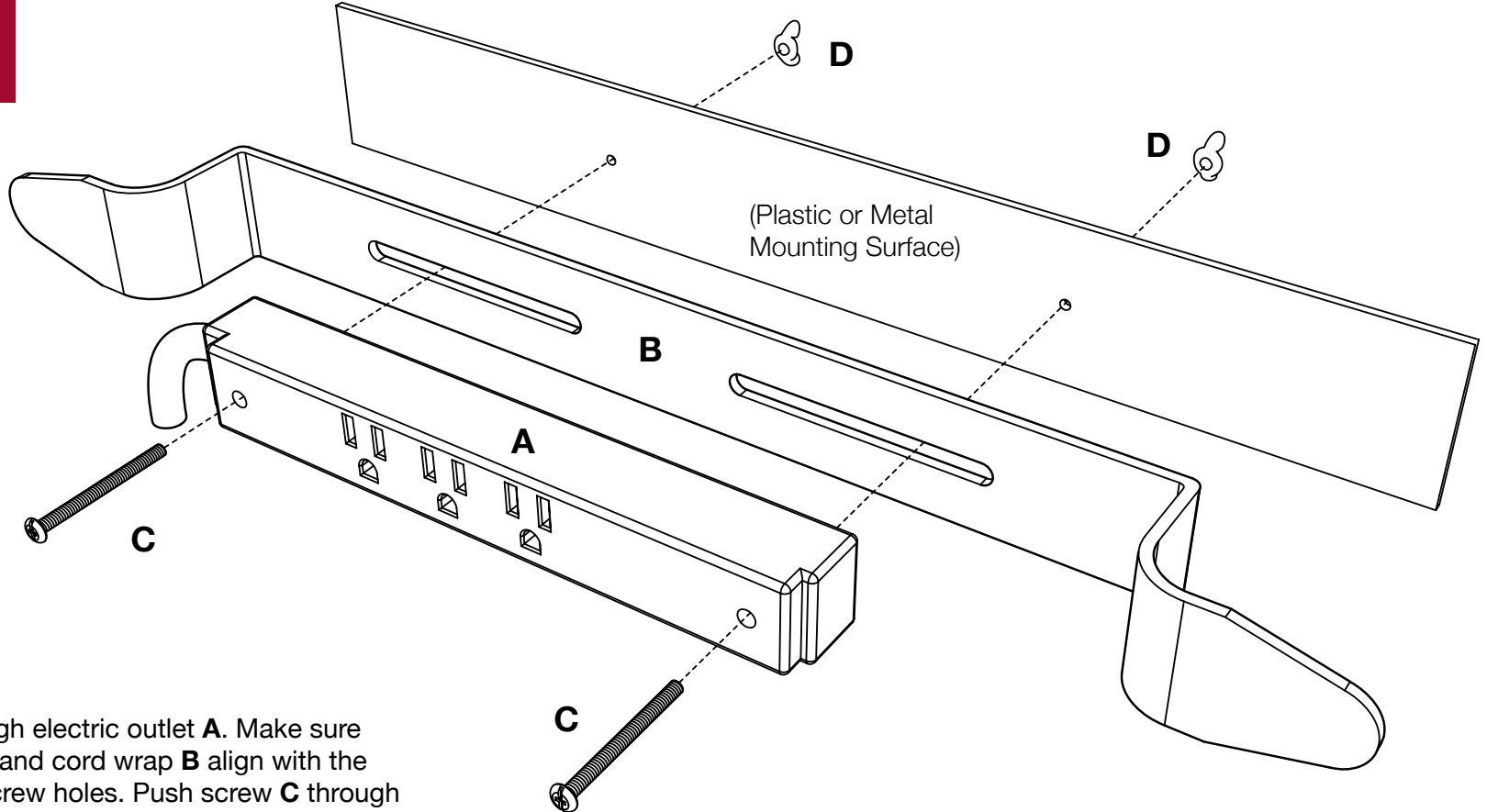


Tools Required

- Screwdriver



Call Us at
1-800-944-4573
for Orders or Inquiries



1

Push screw **C** through electric outlet **A**. Make sure the electric outlet **A** and cord wrap **B** align with the mounting surface screw holes. Push screw **C** through cord wrap **B** and the mounting surface screw holes. Use wing nut **D** and screwdriver to fasten.