

***H. Wilson Tuffy WT42GYE-N  
Gray 42" High Tuffy Utility  
A/V Cart (3-Shelf Nickel Legs)***

Instruction Manual



*Provided by*

**MyBinding.com**

*When Image Matters.*

Call Us at 1-800-944-4573

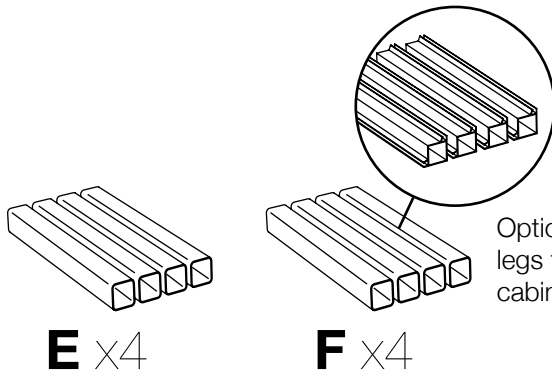
**NOTICE:**

Leg lengths of leg **E** may be shorter than leg **F**

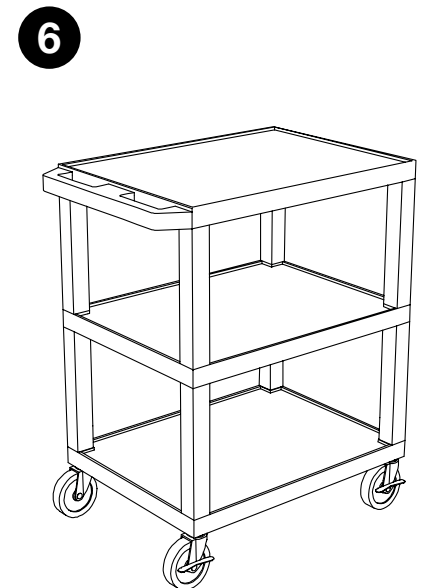
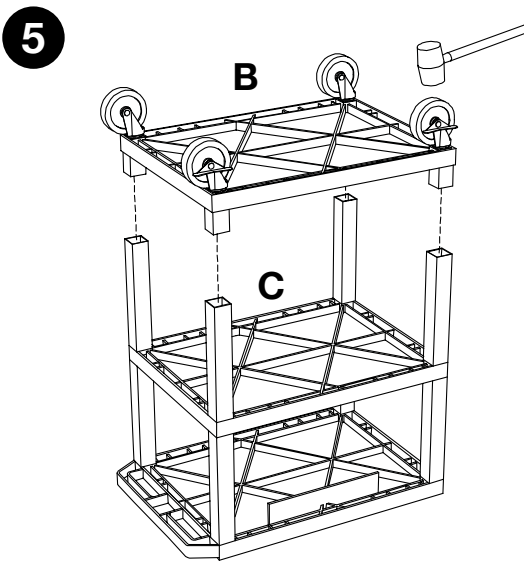
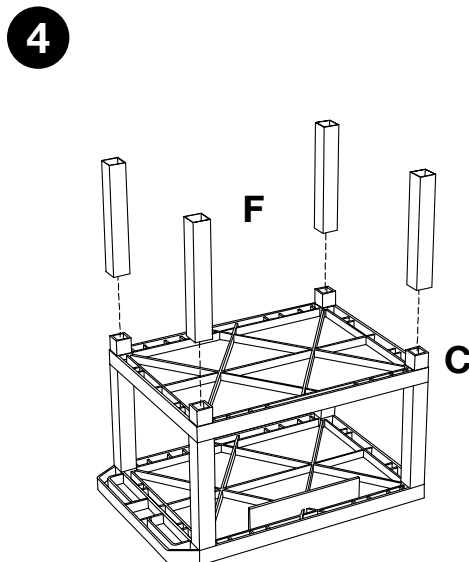
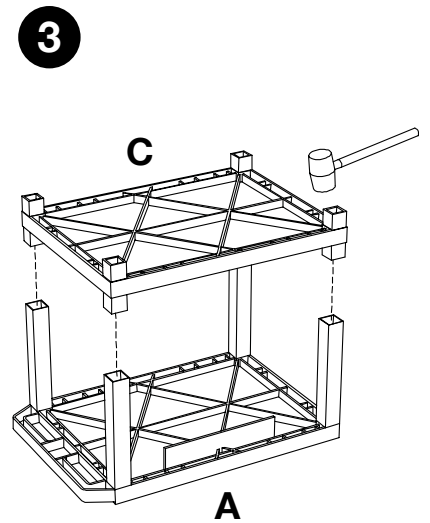
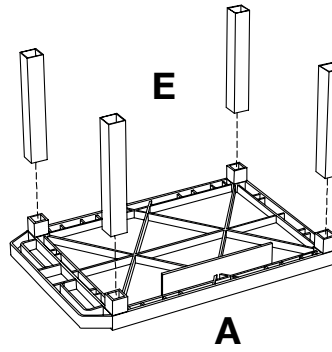
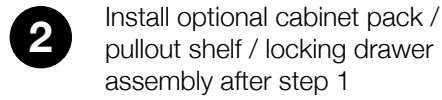
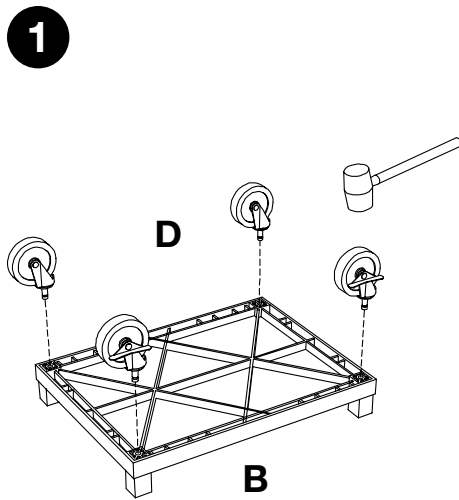
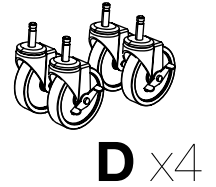
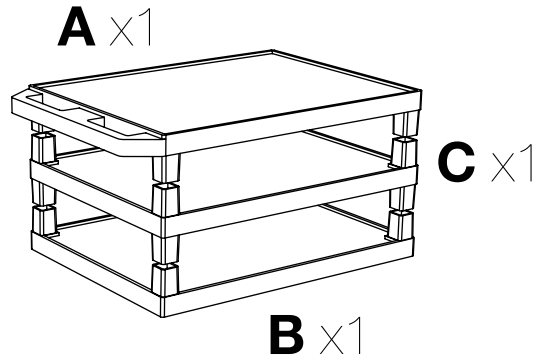
**Parts List**

**Tools Required**

- Rubber Mallet



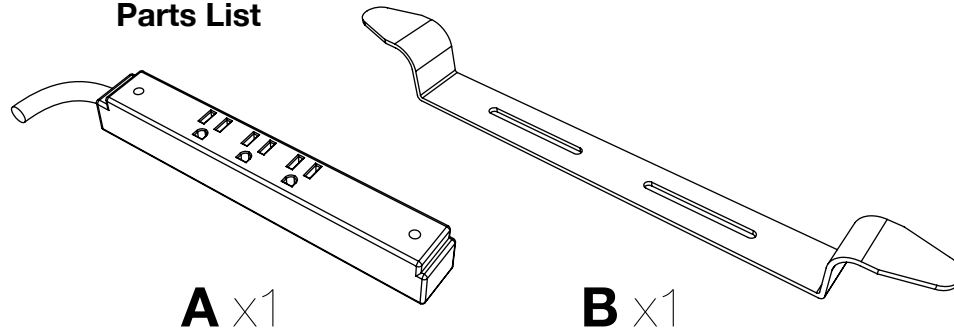
Optional fluted legs for units with cabinet pack



## Electric Assembly Instructions

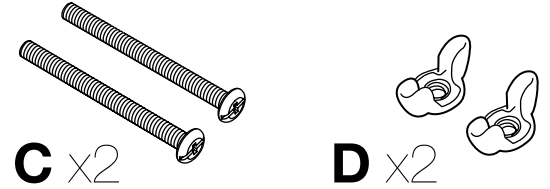
Number of outlets  
may vary.

### Parts List

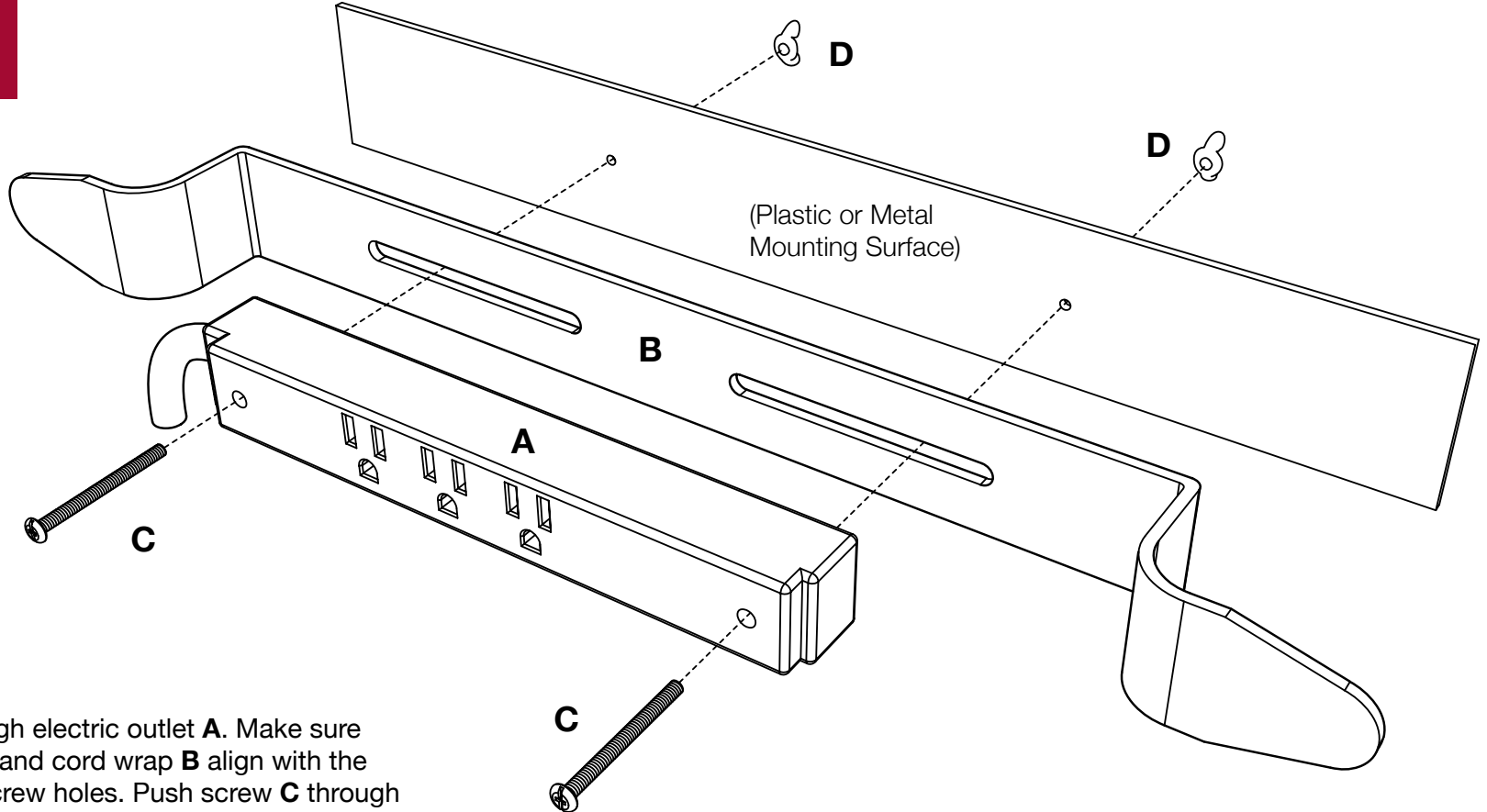


### Tools Required

- Screwdriver



Call Us at  
**1-800-944-4573**  
for Orders or Inquiries



**1**

Push screw **C** through electric outlet **A**. Make sure the electric outlet **A** and cord wrap **B** align with the mounting surface screw holes. Push screw **C** through cord wrap **B** and the mounting surface screw holes. Use wing nut **D** and screwdriver to fasten.