

***H. Wilson Tuffy WT42E-N Black
42" High Tuffy Utility A/V Cart
(3-Shelf Nickel Legs)***

Instruction Manual



Provided by

MyBinding.com
When Image Matters.

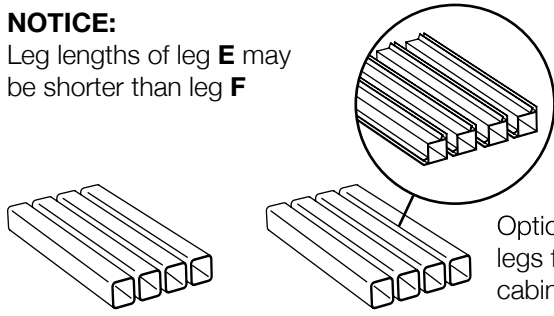
Call Us at 1-800-944-4573

Parts List

Tools Required

- Rubber Mallet

NOTICE:
Leg lengths of leg **E** may be shorter than leg **F**

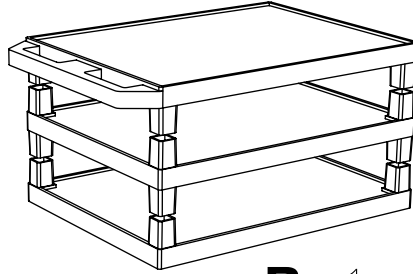


E x4

F x4

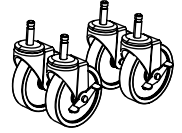
Optional fluted legs for units with cabinet pack

A x1



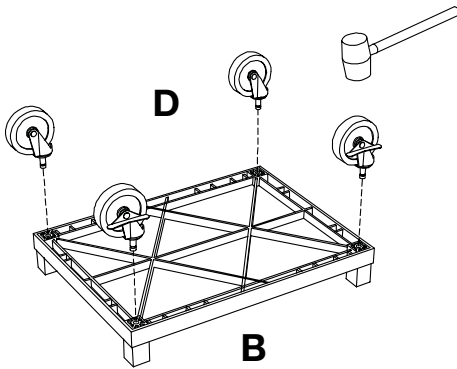
B x1

C x1



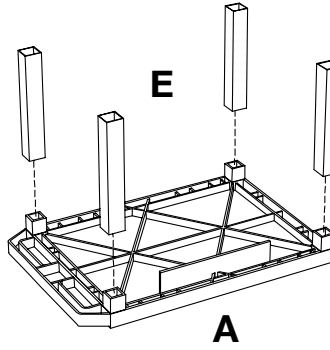
D x4

1

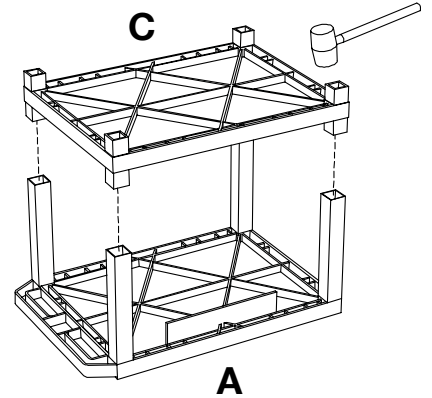


2

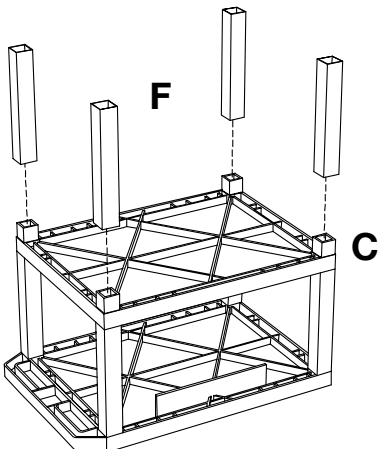
Install optional cabinet pack / pullout shelf / locking drawer assembly after step 1



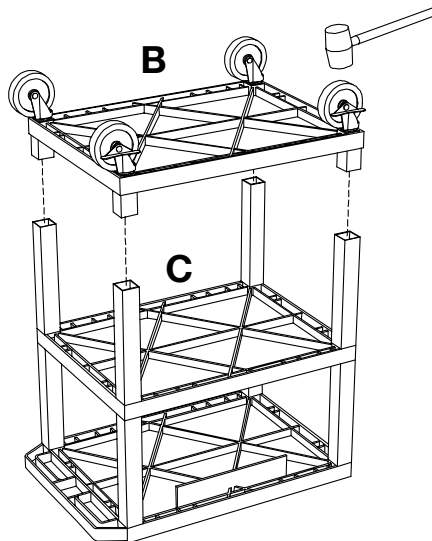
3



4



5



6

