

# ***H. Wilson WT34E Black 34" High Tuffy Utility A/V Cart (3-Shelf Black Legs)***

Instruction Manual



*Provided by*

**MyBinding.com**  
*When Image Matters.*

Call Us at 1-800-944-4573

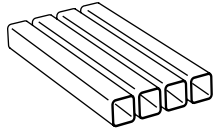
### Parts List

### Tools Required

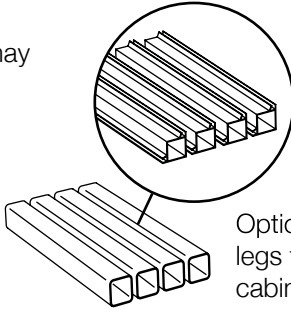
- Rubber Mallet

#### NOTICE:

Leg lengths of leg **E** may be shorter than leg **F**



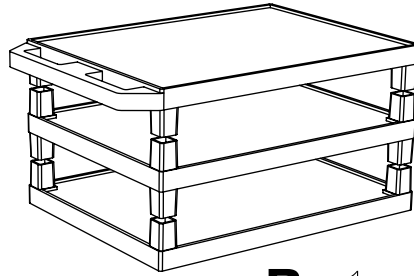
**E** x4



**F** x4

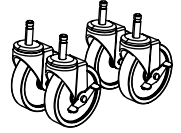
Optional fluted legs for units with cabinet pack

**A** x1



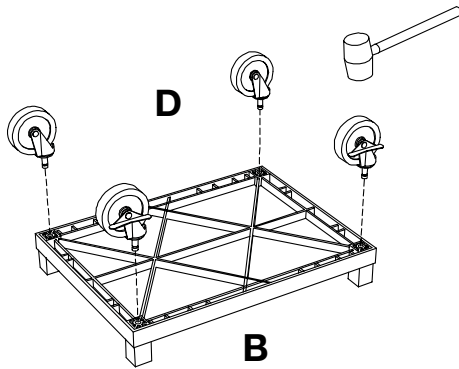
**B** x1

**C** x1



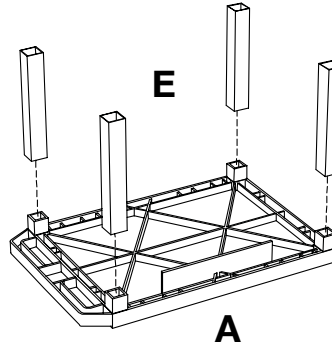
**D** x4

**1**

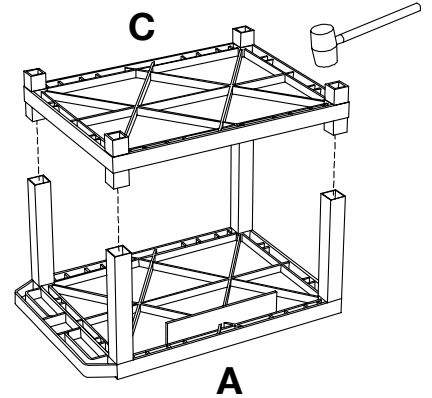


**2**

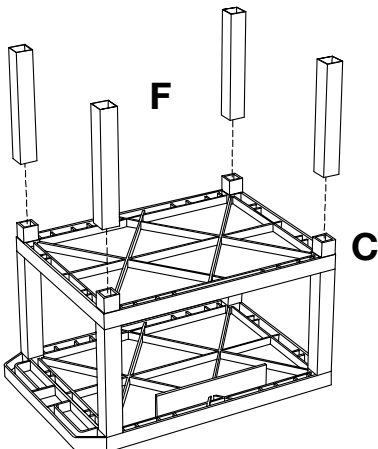
Install optional cabinet pack / pullout shelf / locking drawer assembly after step 1



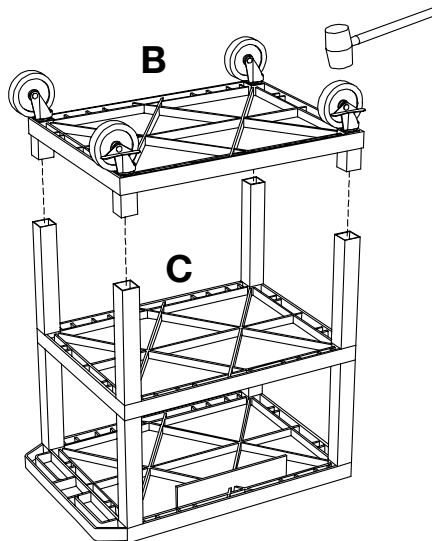
**3**



**4**



**5**



**6**

