

***H. Wilson WT34BUC4E-N  
Blue 34" High Tuffy Utility  
A/V Cart with Cabinet  
(3-Shelf Nickel Legs)***

Sell Sheet



Provided by

**MyBinding.com**

*When Image Matters.*

Call Us at 1-800-944-4573

# Tuffy Presentation Stations

*Tuffy Nickel Presentation Stations - 42"H x 24"W x 18"D*



**NEW Tuffy Pullout Shelf Series**

**19 5/8"W x 15 5/8"D**

Shelves are constructed with a injection molded thermoplastic resin. Will not chip, warp, rust or peel. Shelves have a 1/4" safety retaining lip and are available in 12 unique colors.

Locking steel cabinet panels fit firmly into the specially molded leg slots.

A set of silent roll, 4" full swivel ball bearing casters, two with locking brakes.

Includes a 3-outlet UL listed electrical assembly with a 15 ft. cord.

**WTPSLP42C4E-N**

Shelf Color Code:

<b>Black</b>	<b>Gray</b> GY	<b>Putty</b> OW	<b>Red</b> R	<b>Burgundy</b> BY	<b>Blue</b> BU
<b>Yellow</b> Y	<b>Orange</b> OR	<b>Hunter Green</b> HG	<b>Green</b> G	<b>Purple</b> P	<b>Navy</b> Z



**WTPSLP42E-N**



**WTPS42C4E-N**



**WTPS42E-N**



**WT42C4E-N**

# Tuffy Presentation Stations

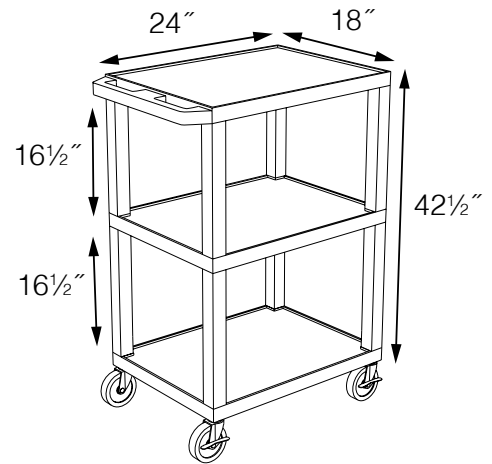
*Tuffy Nickel Presentation Stations - 42"H x 24"W x 18"D*



Front & Side pull-out shelves ideal for laptop, keyboards and projectors. Lockable WTD drawers great for storage and added security.

19 5/8"W x 13 5/8"D

**Measurements:**



**WTPSP42C4E-N**



**WT42E-N**



**WTPSP42E-N**



**WT42C4E-N/WTD**



**WT42E-N/WTD**

# Tuffy Presentation Stations

*Tuffy Nickel Presentation Stations - 34"H x 24"W x 18"D*



## NEW Tuffy Pullout Shelf Series

19 5/8"W x 15 5/8"D

Shelves are constructed with an injection molded thermoplastic resin. Will not chip, warp, rust or peel. Shelves have a 1/4" safety retaining lip and are available in 12 unique colors.

Locking steel cabinet panels fit firmly into the specially molded leg slots.

A set of silent roll, 4" full swivel ball bearing casters, two with locking brakes.

Includes a 3-outlet UL listed electrical assembly with a 15 ft. cord.

**WTPS34C4E-N**



**WT34C4E-N**



**WT34E-N**



**WT34C4E-N/WTD**



**WT34E-N/WTD**

# Tuffy Presentation Stations

**Tuffy Nickel Presentation Stations - 42"H x 24"W x 18"D**

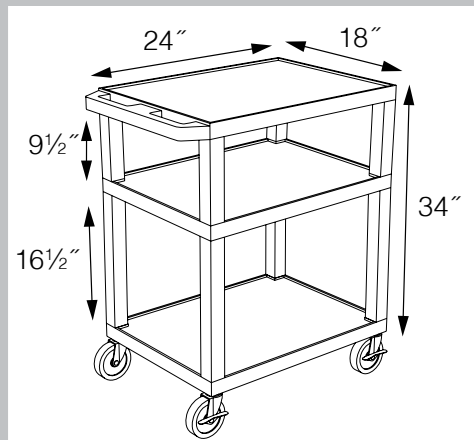


**WT34E-N**

Pull-out shelves ideal for laptop, keyboards and projectors. Lockable WTD drawers great for storage and added security.



**Measurements:**



**26" Tuffy Carts**

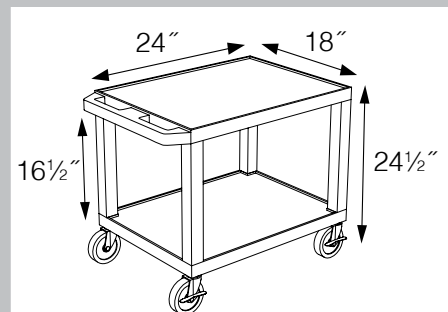


**WT26C4E-N**



**WT26E-N**

**Measurements:**



**16" Tuffy Carts**

Shelf Color Code:	<b>Black</b> GY	<b>Gray</b> GY	<b>Putty</b> OW	<b>Red</b> R	<b>Burgundy</b> BY	<b>Blue</b> BU
	<b>Yellow</b> Y	<b>Orange</b> OR	<b>Hunter Green</b> HG	<b>Green</b> G	<b>Purple</b> P	<b>Navy</b> Z

To specify which shelf color is ordered, replace ★ in this example product number with shelf color code of choice:

**WT34★C4E-N**

**WT1642-N**  
Includes 16", 26", 34" & 42" legs to make a variety of cart heights.  
**WT2642-N**  
Includes 26", 34" & 42" legs to make a variety of cart heights. The WT2642 also includes cabinet panels.



**WT16E-N**