

***H. Wilson WT16GYE-N Gray
16" High Tuffy Utility A/V
Cart (2-Shelf Nickel Legs)***

Instruction Manual



Provided by

MyBinding.com
When Image Matters.

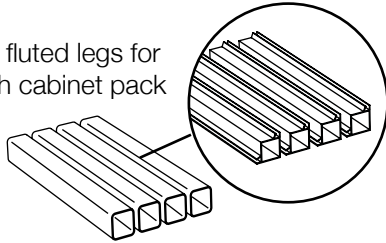
Call Us at 1-800-944-4573

Parts List

Tools Required

- Rubber Mallet

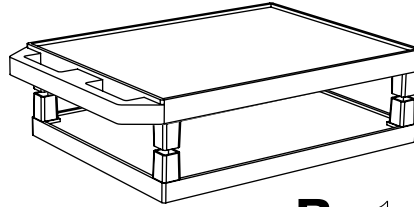
Optional fluted legs for units with cabinet pack



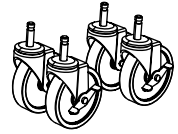
NOTICE:
Leg lengths may vary by model

F x4

A x1

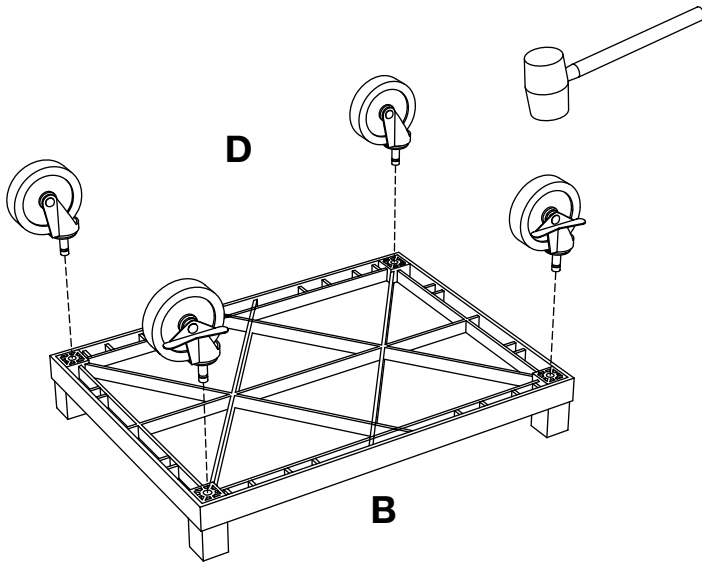


B x1



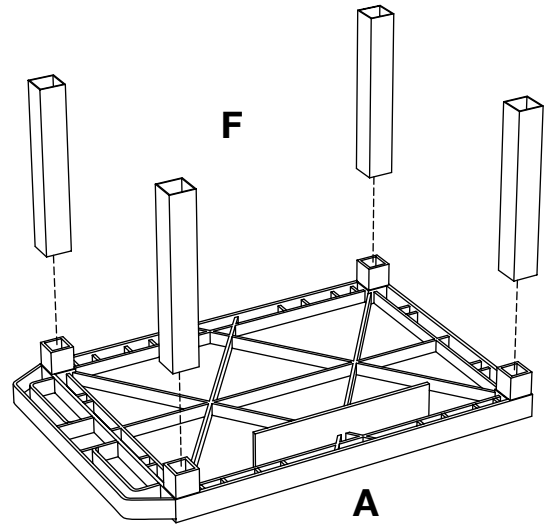
D x4

1

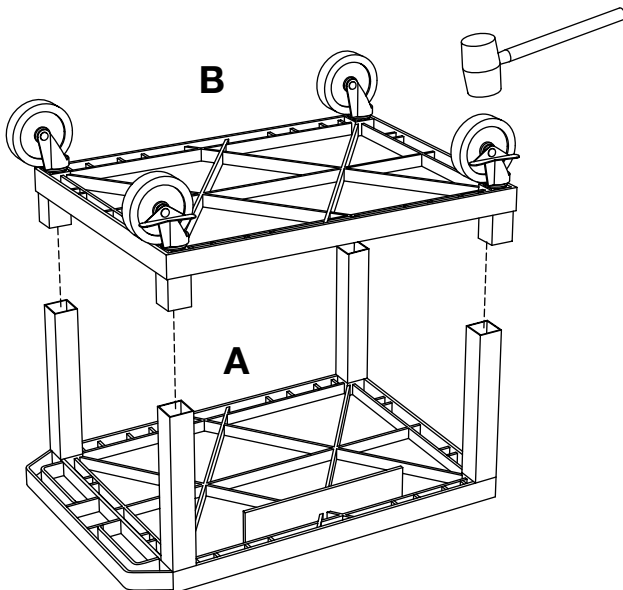


2

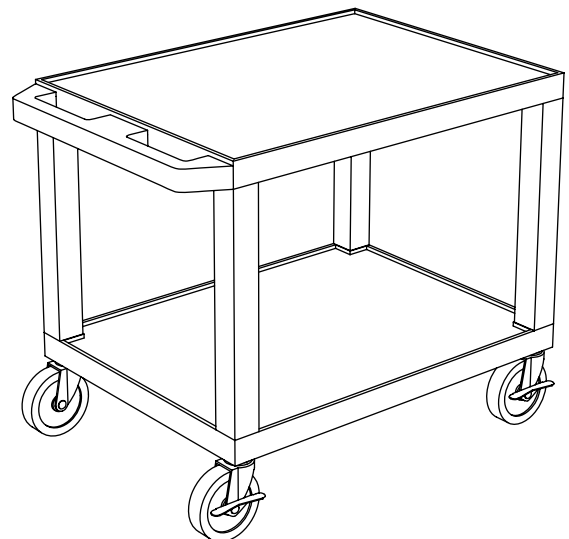
Install optional cabinet pack assembly after step 1



3



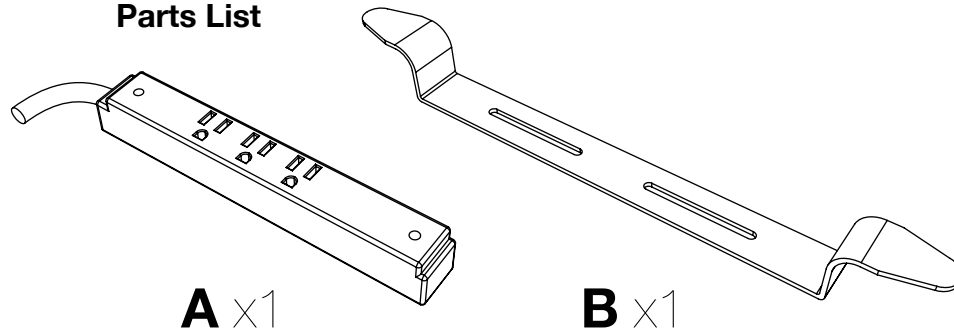
4



Electric Assembly Instructions

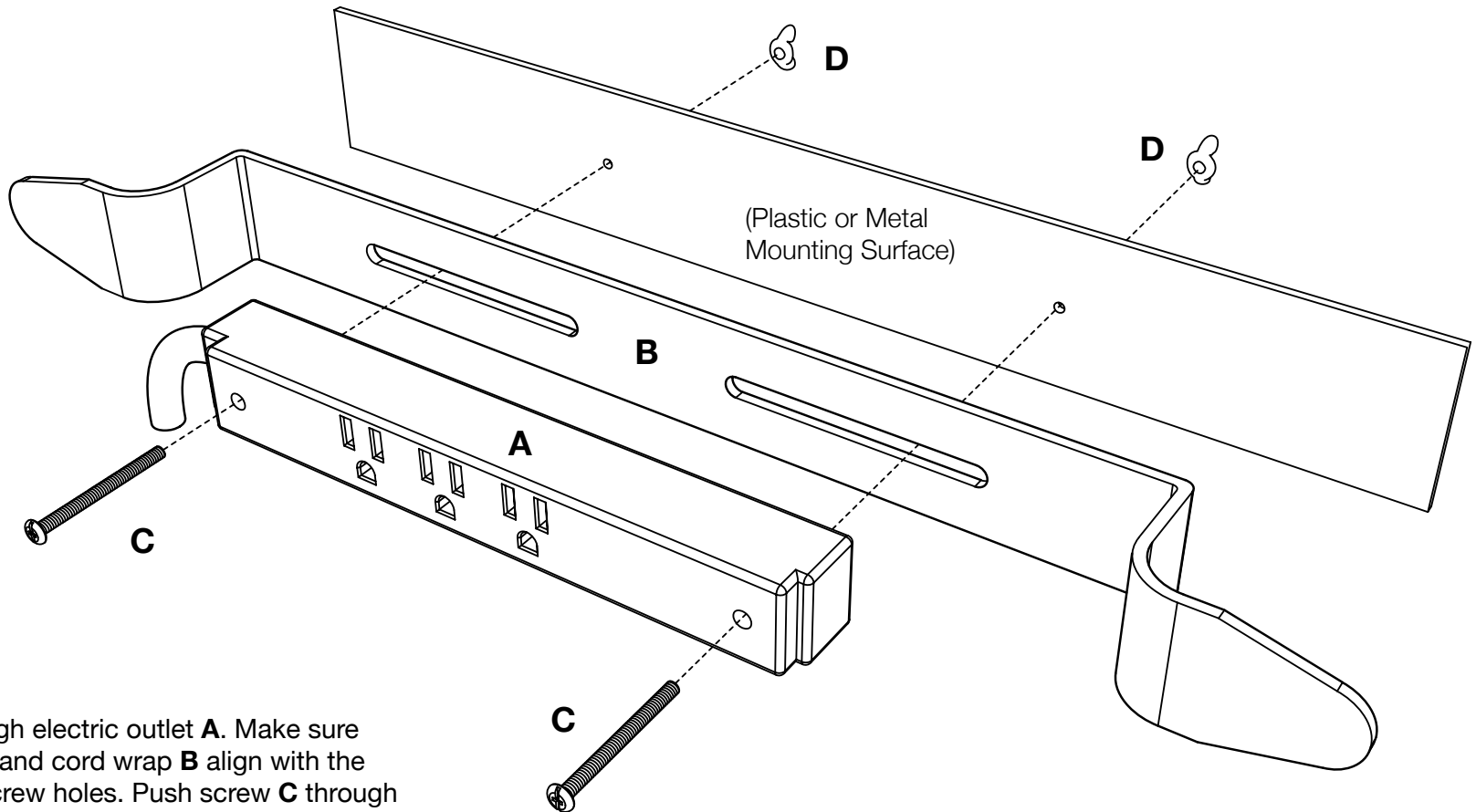
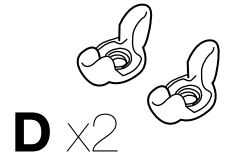
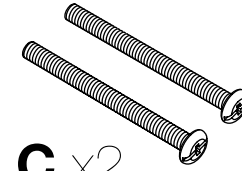
Number of outlets may vary.

Parts List



Tools Required

- Screwdriver



1

Push screw **C** through electric outlet **A**. Make sure the electric outlet **A** and cord wrap **B** align with the mounting surface screw holes. Push screw **C** through cord wrap **B** and the mounting surface screw holes. Use wing nut **D** and screwdriver to fasten.