

# ***Dahle 799 Stand for Model 472 Premium Rolling Trimmer***

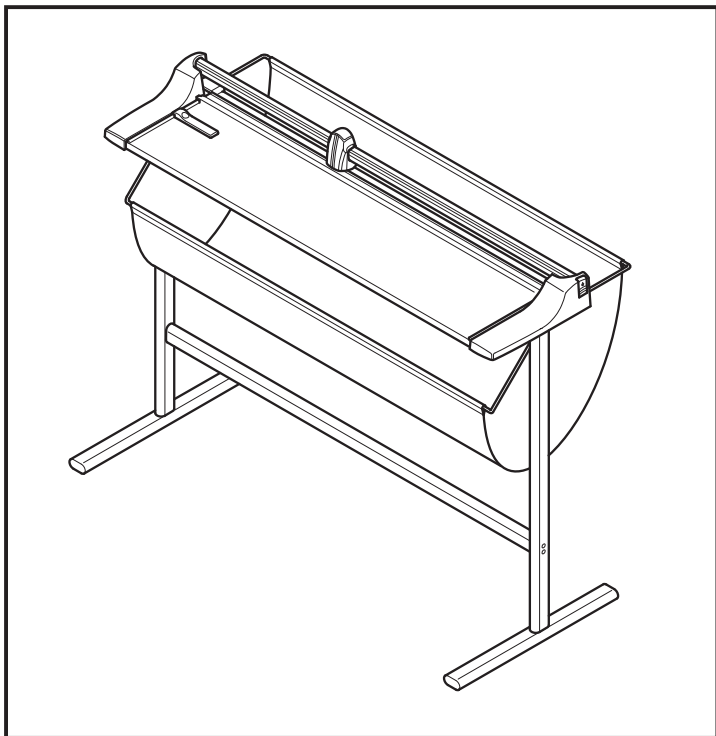
Instruction Manual



*Provided by*

**MyBinding.com**  
*When Image Matters.*

Call Us at 1-800-944-4573



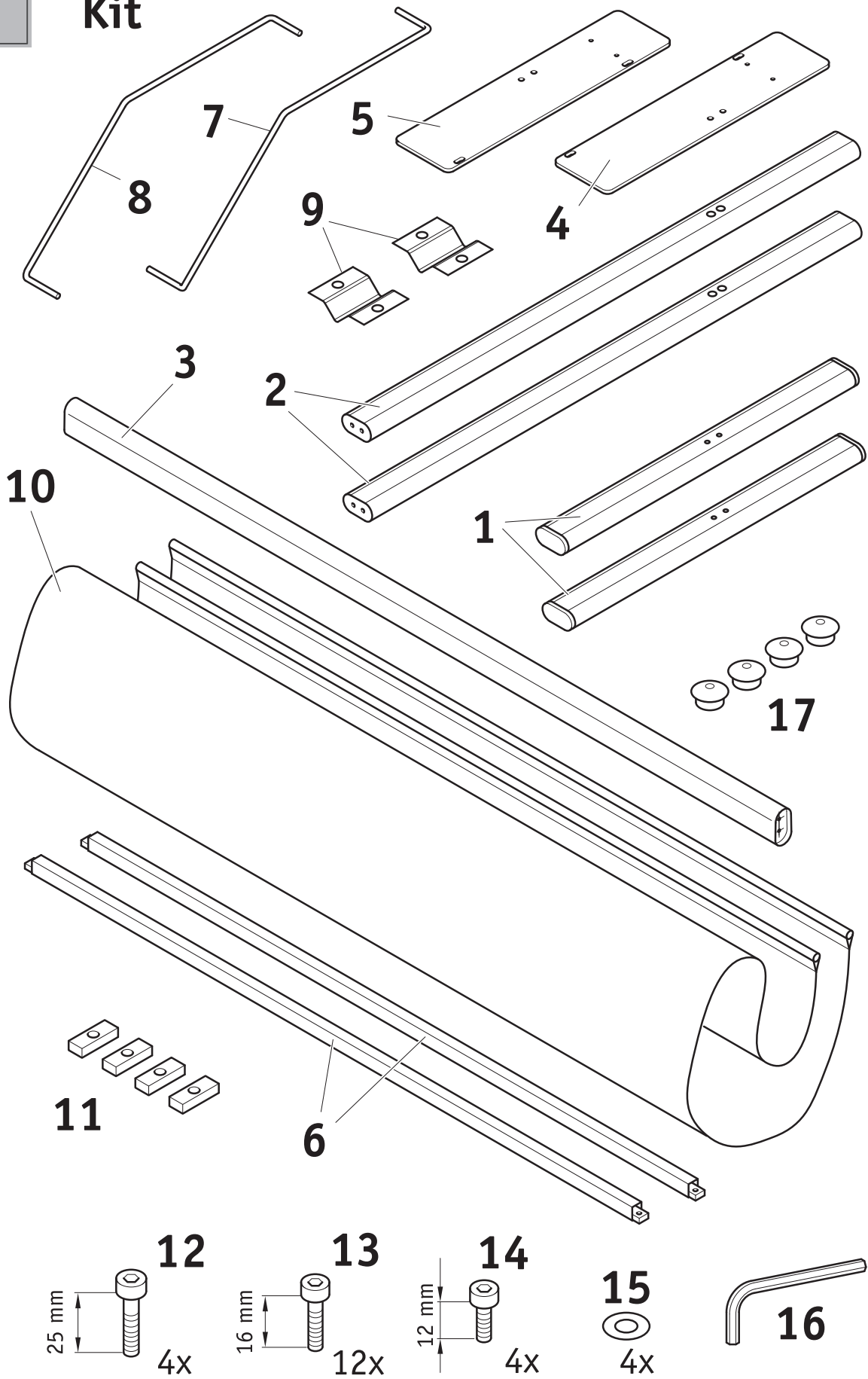
796  
798  
799

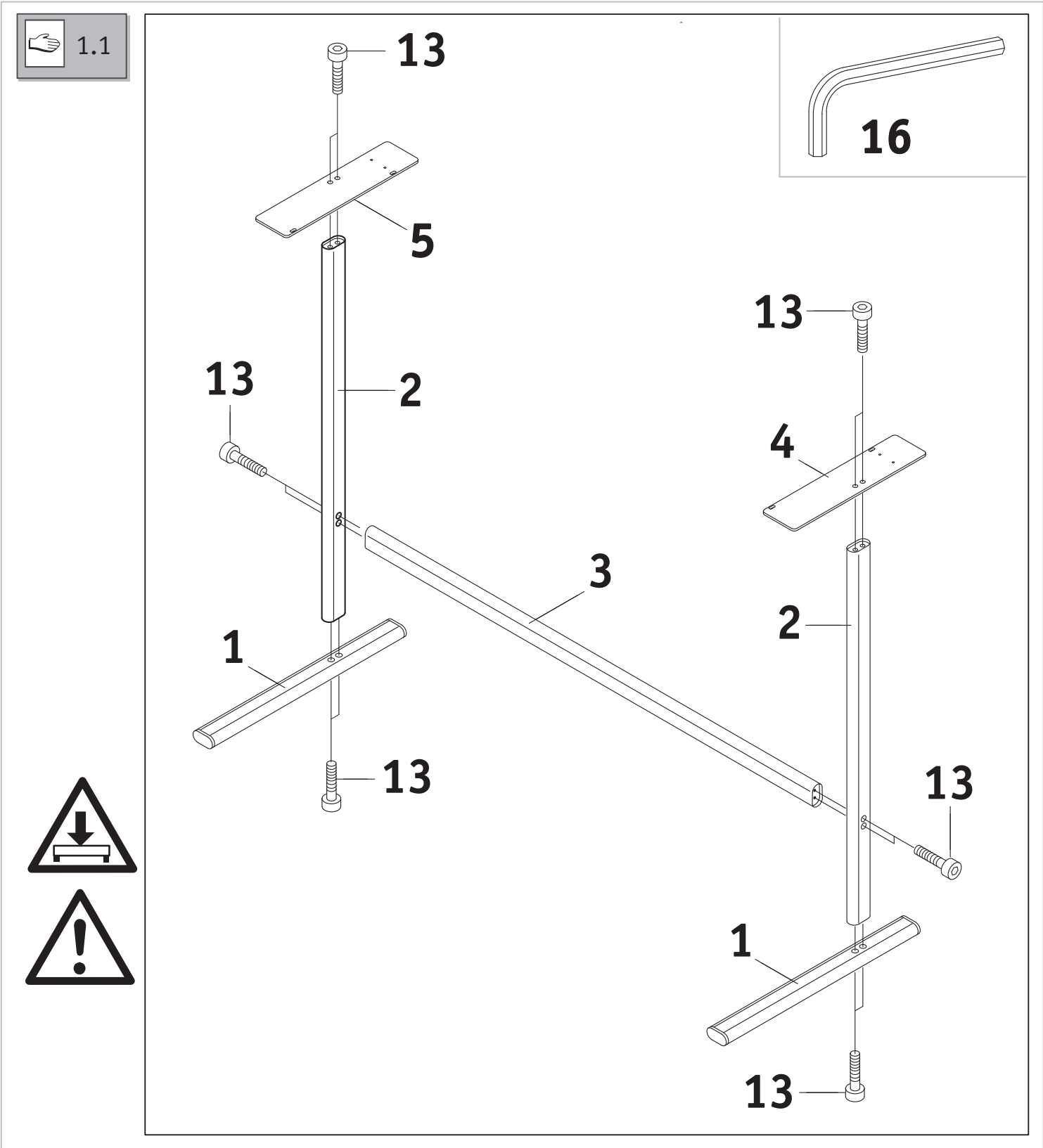
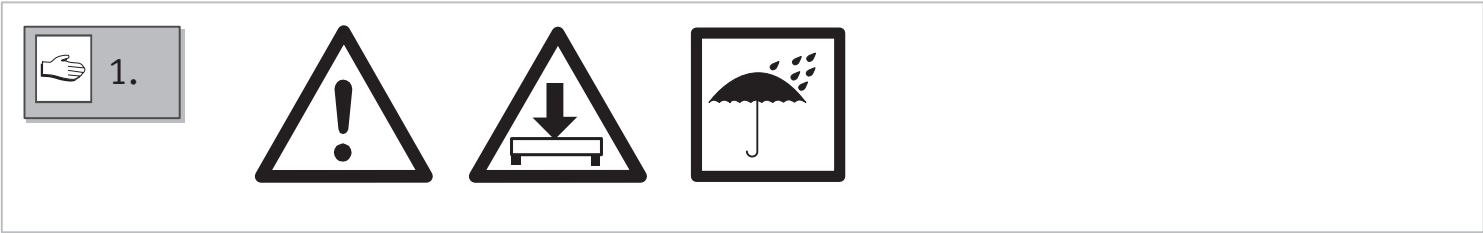
- |              |                          |           |                           |
|--------------|--------------------------|-----------|---------------------------|
| <b>DE</b>    | Montageanleitung         | <b>RU</b> | Инструкция по сборке      |
| <b>UK/US</b> | Assambly instructions    | <b>EE</b> | Paigaldusjuhend           |
| <b>FR</b>    | Instructions de montage  | <b>LT</b> | Surinkimo instrukcija     |
| <b>ES</b>    | Instrucciones de montaje | <b>LV</b> | Montāžas pamācība         |
| <b>IT</b>    | Istruzioni di montaggio  | <b>CZ</b> | Montážní návod            |
| <b>PT</b>    | Instruções de montagem   | <b>SK</b> | Návod na montáž           |
| <b>NL</b>    | Montage Handleiding      | <b>PL</b> | Instrukcja montażu        |
| <b>DK</b>    | Monteringsvejledning     | <b>RO</b> | Instrucțiuni de asamblare |
| <b>FI</b>    | Kokoamisohje             | <b>BG</b> | Упътване за монтаж        |
| <b>NO</b>    | Monteringsveiledning     | <b>TR</b> | Kurulum talimatları       |
| <b>SE</b>    | Monteringsinstruktioner  | <b>GR</b> | Οδηγίες Συναρμολόγησης    |
| <b>SI</b>    | Navodila za montažo      | <b>AE</b> | تعليمات التركيب           |
| <b>HR</b>    | Szerelési útmutató       | <b>JP</b> | 組立方法について                  |
| <b>HU</b>    | Szerelési útmutató       | <b>CN</b> | 安装指南                      |



1.

# Kit







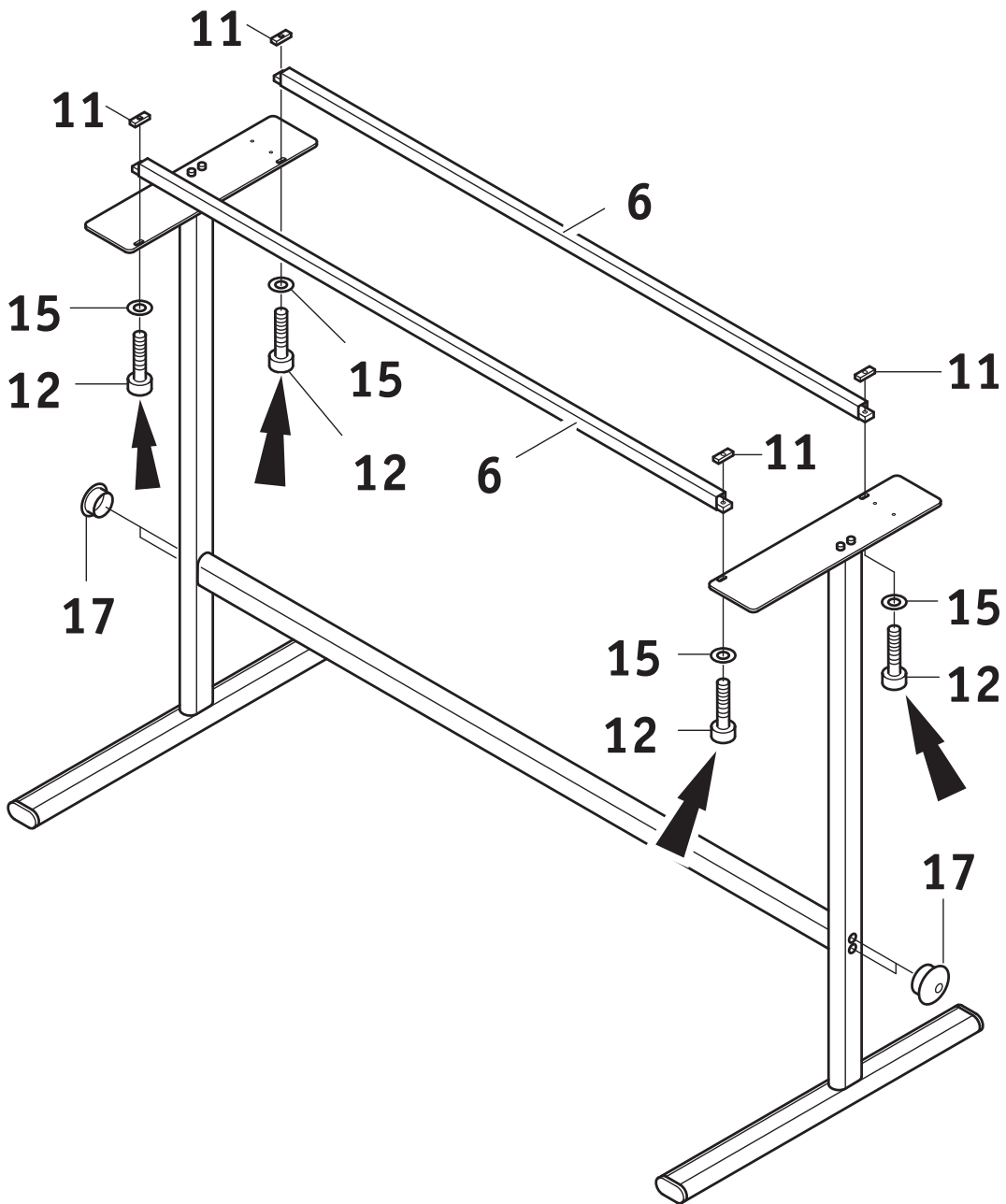
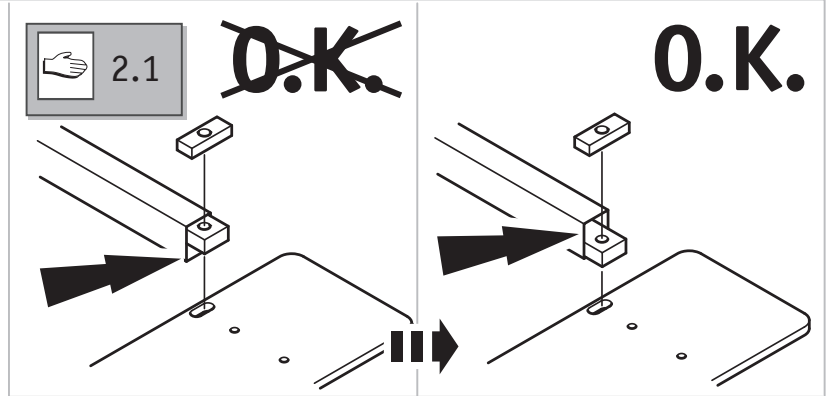
2.



2.1

~~O.K.~~

O.K.

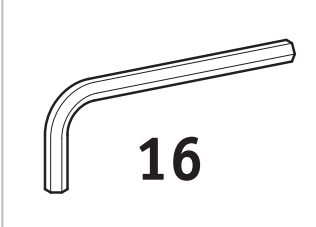
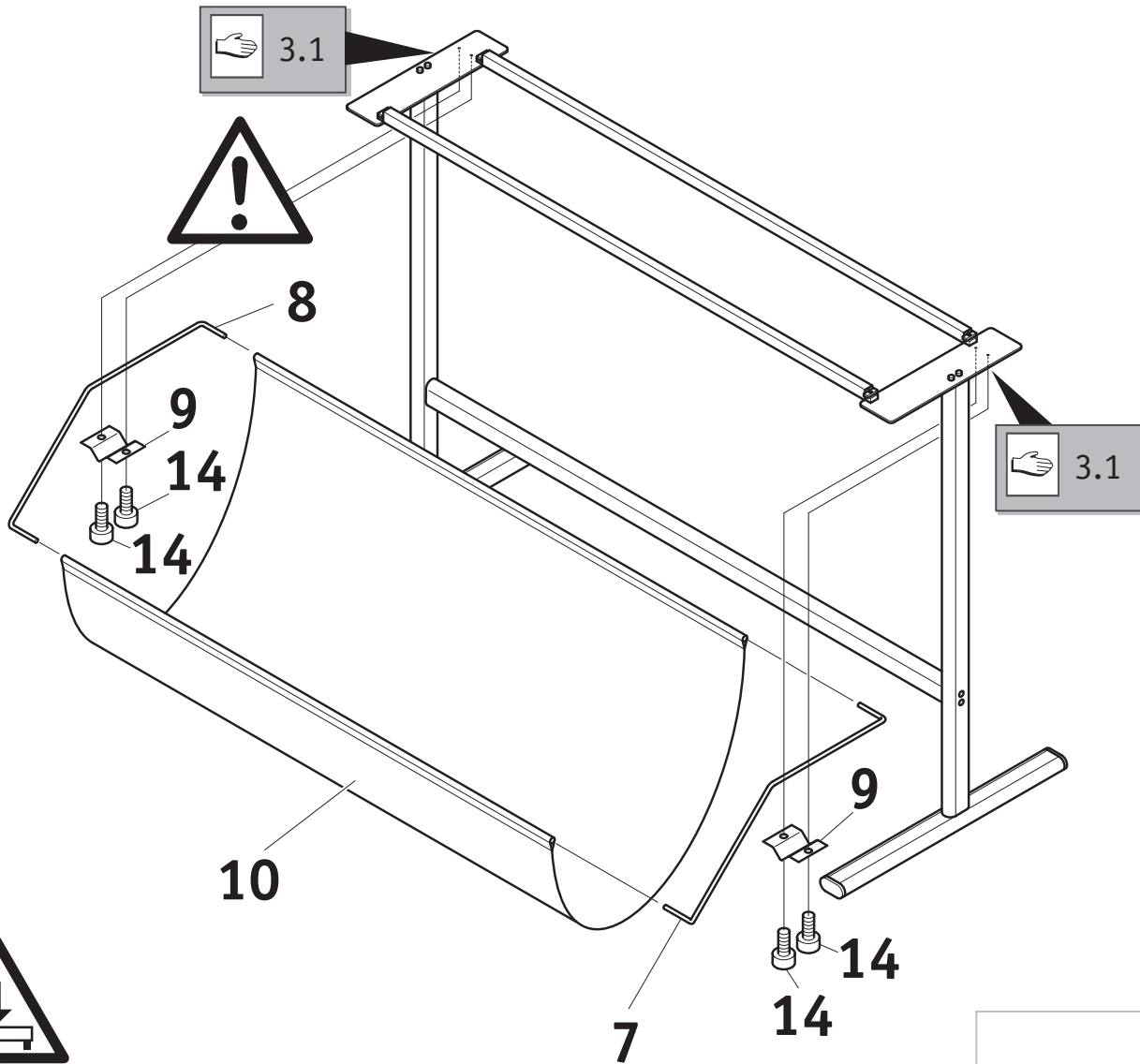




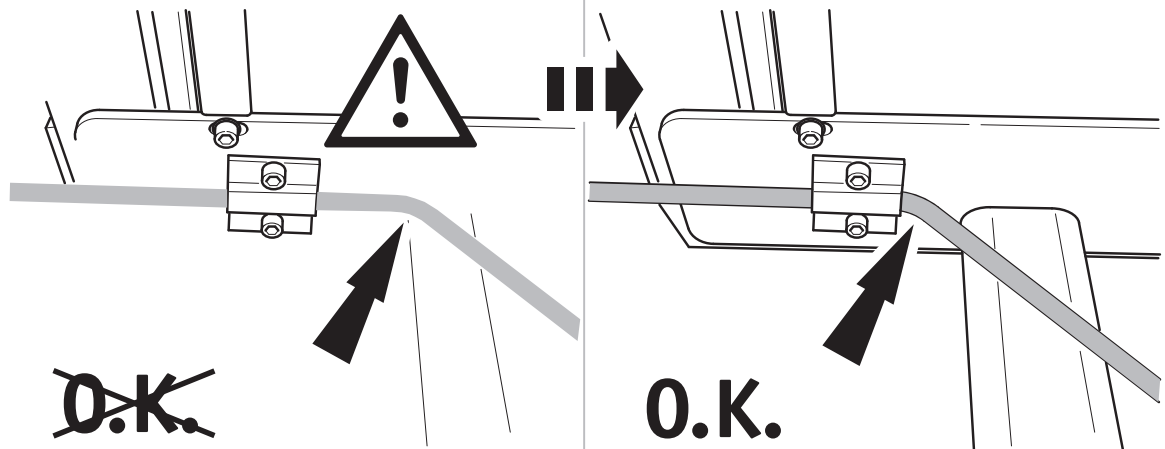
3.

3.1

3.1



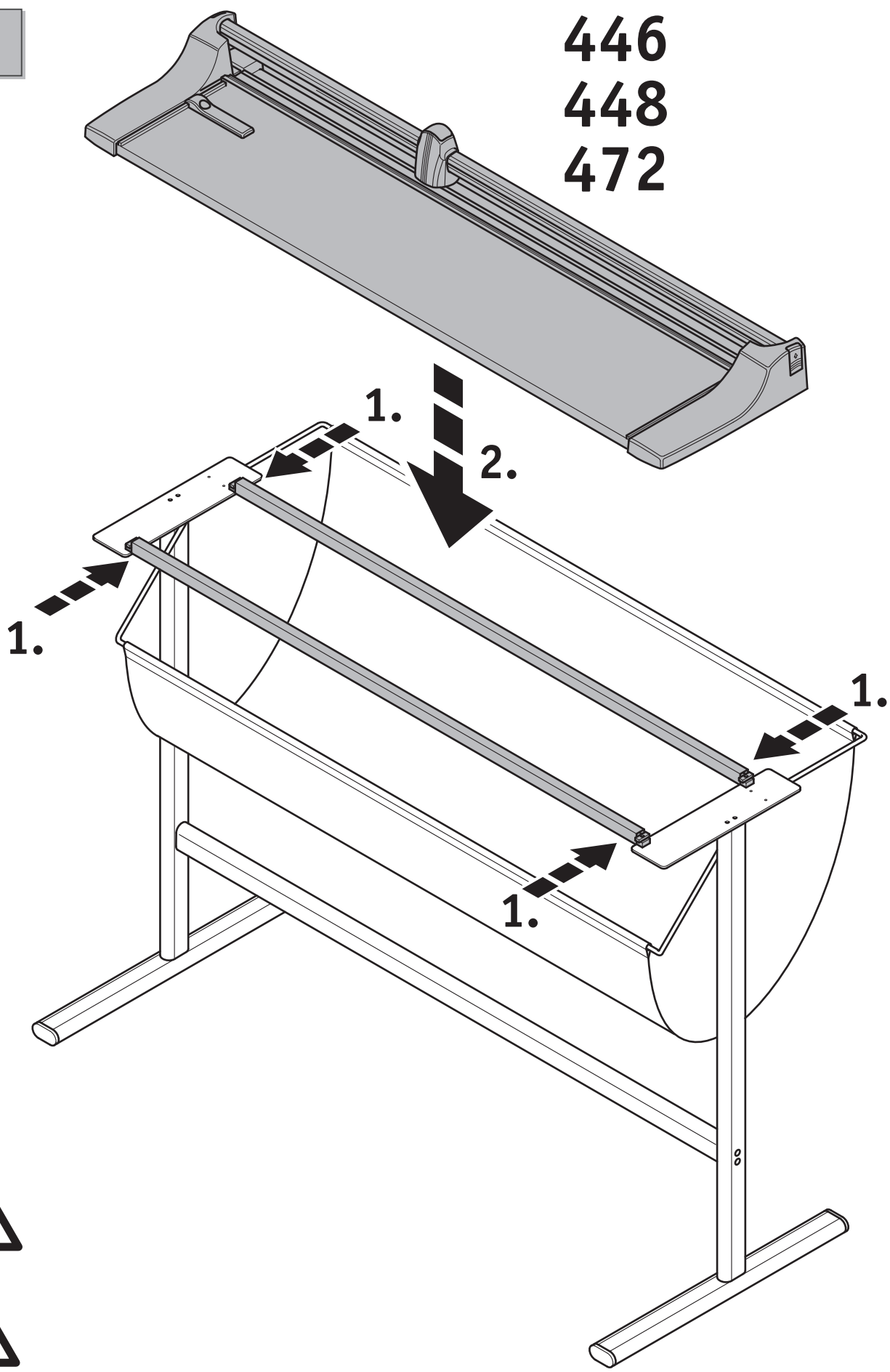
3.1





4.

446  
448  
472





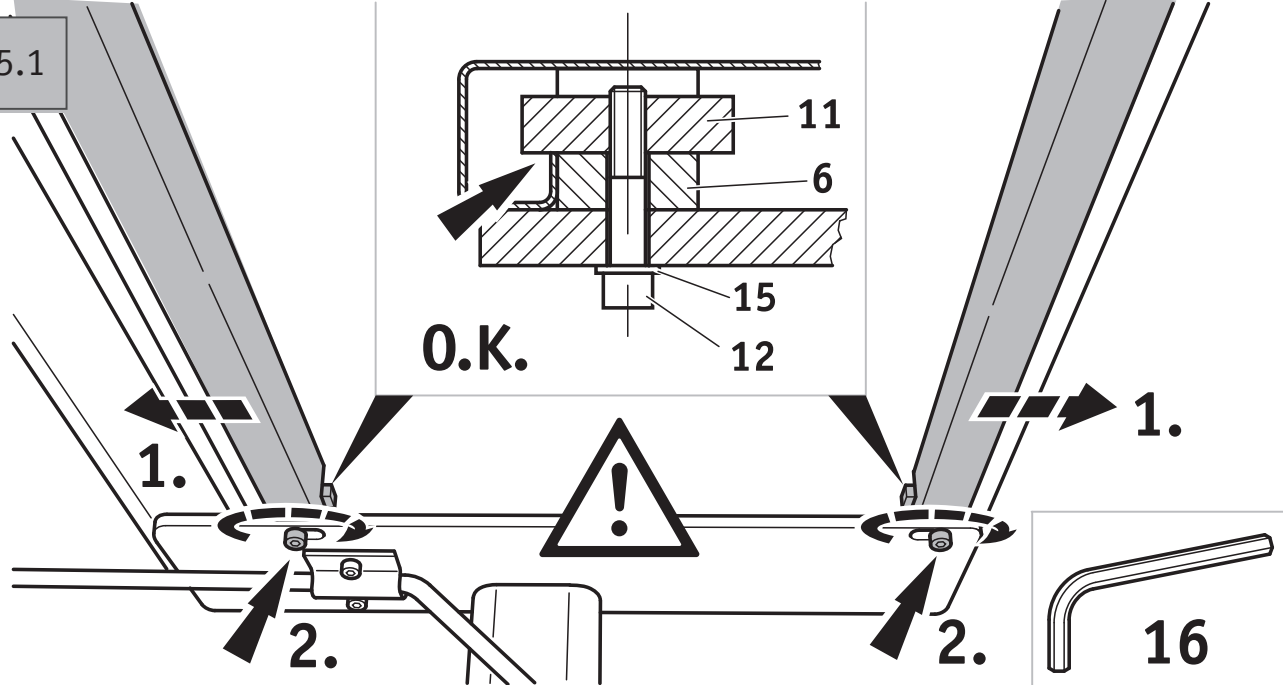
5.

5.1

5.1



5.1





**Headquarters:**

Novus Dahle GmbH & Co. KG  
Breslauer Straße 34-38  
49808 Lingen | Germany

**Service contact:**

Novus Dahle GmbH & Co. KG  
Nikolaus-A.-Otto-Straße 11  
96472 Rödental | Germany

Tel.: +49 9563 75299-0

Fax: +49 9563 75299-333

E-Mail: [info@dahle.de](mailto:info@dahle.de)

Web: [www.dahle.de](http://www.dahle.de)