

# ***Challenge JF Single Spindle Paper Drill***

Parts List

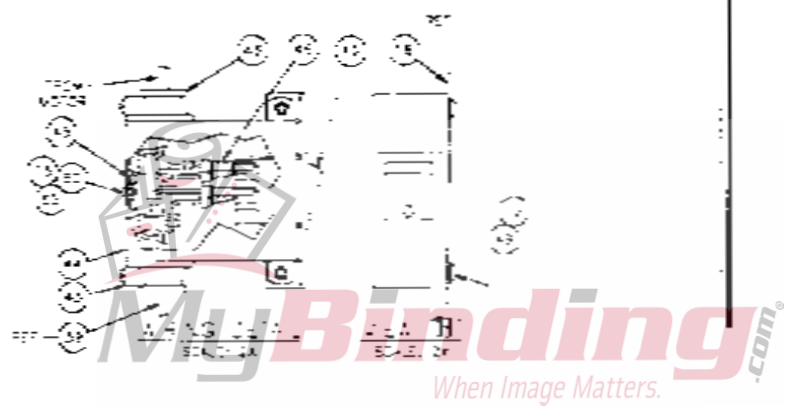
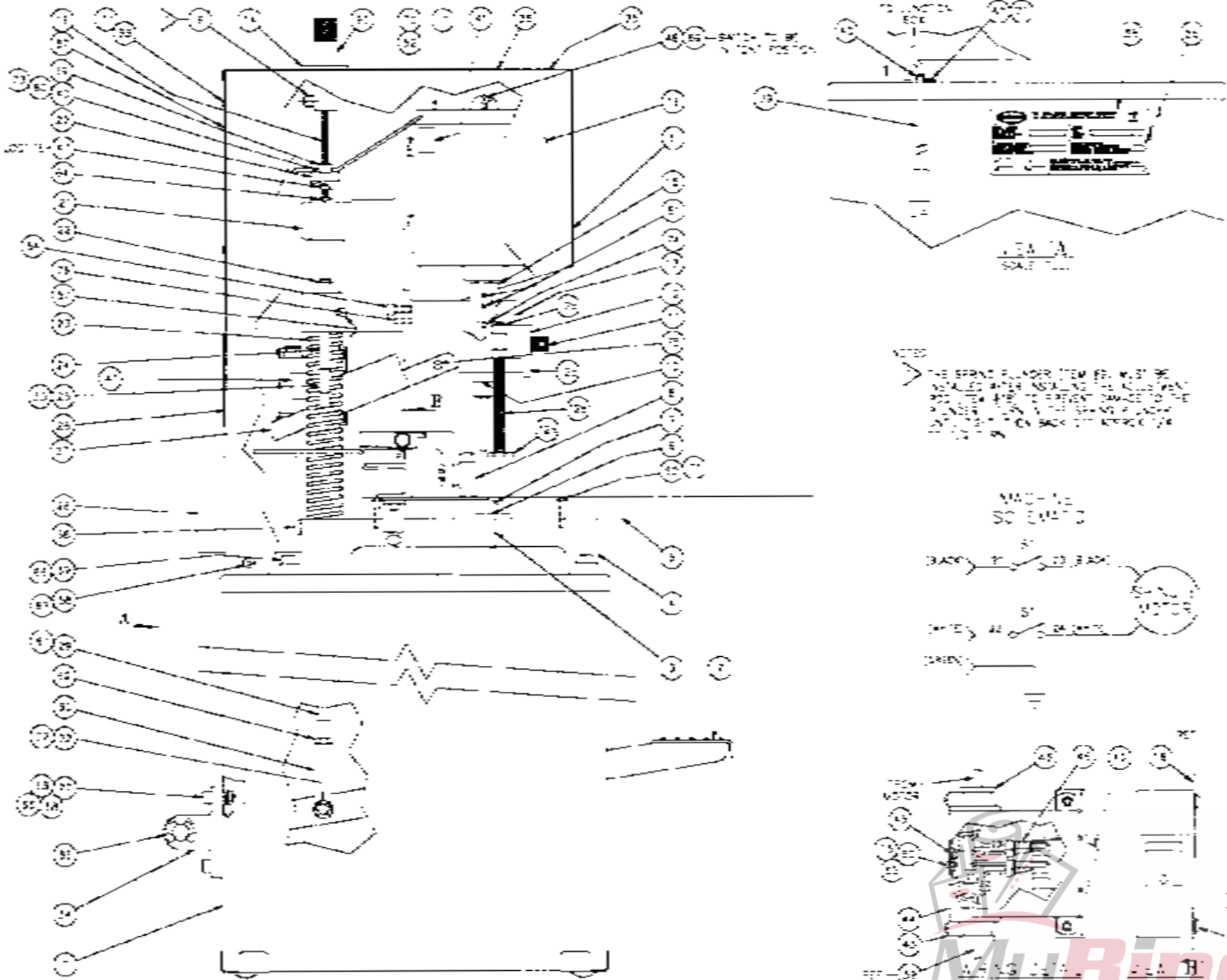


*Provided by*

**MyBinding.com**  
*When Image Matters.*

Call Us at 1-800-944-4573

# MAIN ASSEMBLY - JF DRILL A-4620-4 REV. D



## MAIN ASSEMBLY - JF DRILL A-4620-4 REV. D

NO.	PART NO.	DESCRIPTION OF ACCESSORIES	QTY
1	5306	STAND ASSEMBLY	1
2	A-4672	TRUCKLE ASSEMBLY	1
3	A-3805	ROTOR - CUTTING BLOCK	1
4	A-4607-3	BASE ASSEMBLY	1
5	A-4680-3	TABLE ASSEMBLY	1
6	3648	SPACER - CLUTCH BLOCK	REF
7	4681	CUTTING BLOCK	1
8	A-8032-1	BACK GEAR ASSEMBLY	1
9	S-223-1	SPRING PLUNGER	REF
10	K-82	DRIFT NUT COVER	REF
11	4682-1	ADJUSTING SCREW	2
12	A-4683	PRESSURE FOOT ASSEMBLY	1
13	A-4678	PRESSURE FOOT SUB-ASSEMBLY	REF
14	4684-1	PRESSURE FOOT SPRING	REF
15	4685	PRESSURE FOOT GUIDE	REF
16	S-1518-37	RETAINING RING	REF
17	4686	DRIP CHUTE	1
18	E-1172-21	SWAMP-IN LUBRING	1
19	4687-1	SPINDLE	1
20	5307	TOP COVER ASSEMBLY	1
21	E-1808-21	MOTOR - 1/2" x 30" x 2"	1
22	E-1808-25	MOTOR - 1/2" x 30" x 2"	1
23	E-1808-23	MOTOR - 1/2" x 30" x 2"	1
24	E-1808-22	MOTOR - 1/2" x 30" x 2"	1
25	4688-1	SPINDLE ADJUSTING SCREW	1
26	4689-4	SLIDE RIG BRACKET	1
27	4690-1	MOTOR BRACKET	1
28	S-1190-43	RETAINING RING - 1/2" x 6"	1
29	4691-2	SPRING	2
30	8098	ROD - 1/2" DIA. X 1/2" L	1
31	8073	SPRING CLIP	1

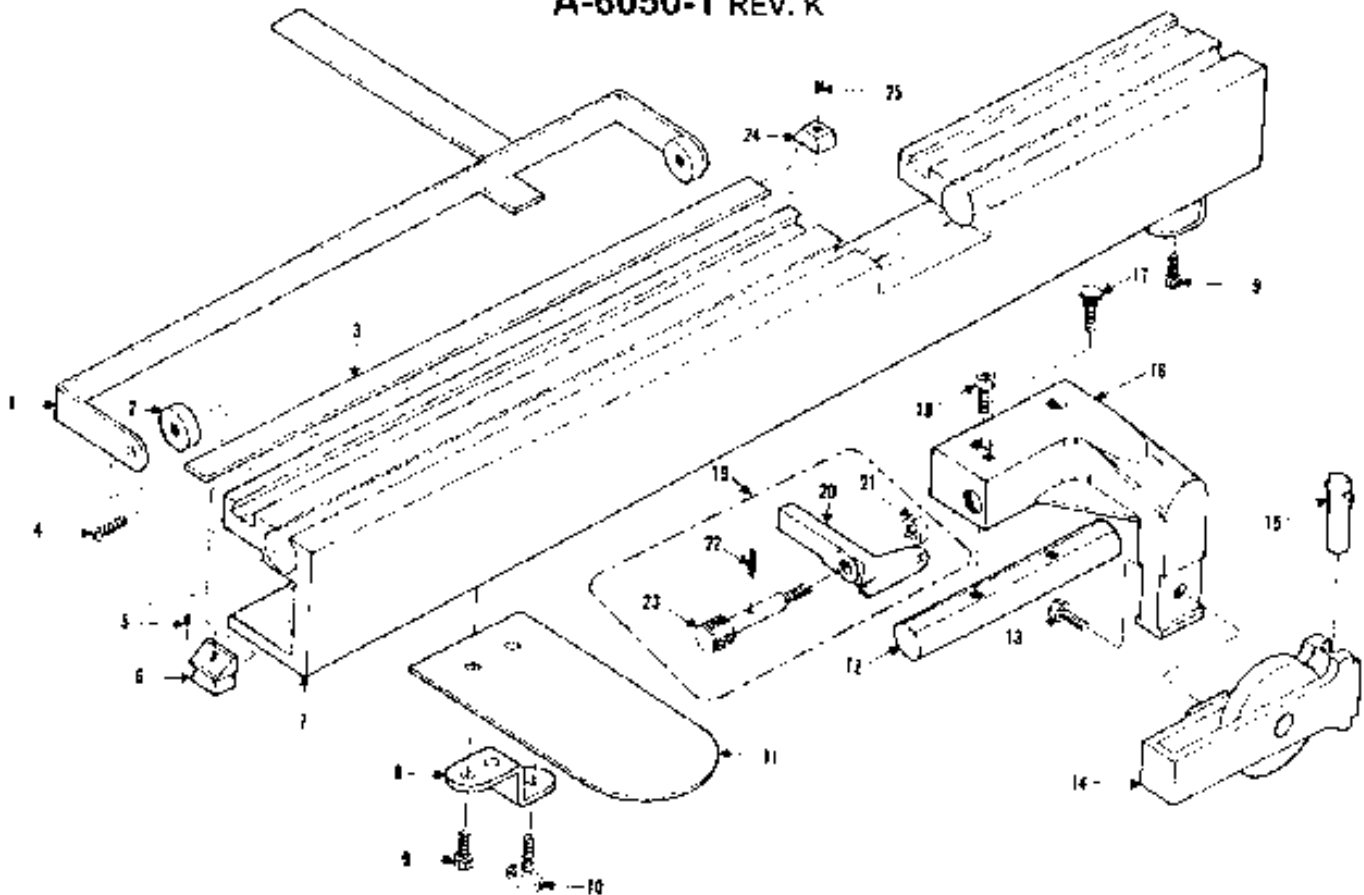
NO.	PART NO.	DESCRIPTION OF ACCESSORIES	QTY
32	5308	BACK COVER	1
33	A-4602	DRIP TRAY ASSEMBLY	1
34	A-4608	DRIP BOX ASSEMBLY	1
35	4671-1	WEARABLE ROD	1
36	4688	CLIPS	1
37	S-1574-2	CHALLENGE LINE	1
38	S-1481	PAW	1
39	S-1190-73	RETAINING RING - 3/4"	2
40	4688	WEARABLE BRIDGE	2
41	S-1190-38	LABEL - DIALTOR CRUSH HANDLE	1
42	S-1190-37	LABEL - DIALTOR TMC FORSON	1
43	S-1190-18	LABEL - DIALTOR DISCONNECT POWER	1
44	A-1100	SCREW PLATE	1
45	OK-289-20	ASM - POWER CORD	1
46	E-388-3	SWAMP RELIEF	2
47	S-1190-58	LABEL - DIALTOR ELEC. SHOCK	2
48	E-1142-11	ROCKER SWITCH	1
49	S-1550-18	SWAMP RELIEF	2
50	5309	ELEC. BOX ASM.	1
51	E-1214-5	EYELET	1
52	E-1214-48	QUICK CONNECT	4
53	--3247-3	NUT - 3/8" x 1/2" FLEX LOCK	1
54	--8073-1024-0	SCREW - 1/2" x 3/8" x 1-1/2" BLT. HD. SOC. CAP	1
55	--8073-81201	SCREW - 1/2" x 3/8" x 1/2" BLT. HD. SOC. CAP	1
56	--8073-102408	SCREW - 1/2" x 3/8" x 1" BLT. HD. SOC. CAP	4
57	--8073-102408	SCREW - 1/2" x 3/8" x 3/8" SOC. HD. CAP	2
58	--8073-304	SCREW - 5/16" x 1/2" x 1/2" HD. CAP. PLATED	1
59	--8073-81204	SCREW - 1/2" x 3/8" x 1/2" BLT. HD. SOC.	1
60	--8073-308	SCREW - 5/16" x 1/2" x 3/8" SOC. HD. CAP	2
61	--8073-102403	SCREW - 1/2" x 3/8" x 1/2" BLT. HD. SOC.	1
62	--8073-004	SCREW - 1/2" x 1/4" x 1/2" HD. DRIVE	2
63	--8050-102408	SCREW - 1/2" x 3/8" x 1/2" BLT. HD.	1

NO.	PART NO.	DESCRIPTION OF ACCESSORIES	QTY
64	--8073-804	SCREW - 1/2" x 3/8" x 1/2" BLT. HD. CAP	6
65	--8073-308	SCREW - 5/16" x 1/2" x 3/8" SOC. HD. CAP	4
66	--8073-102404	SCREW - 1/2" x 3/8" x 1/2" BLT. HD. SOC.	3
67	--8428-8	NUT - 1/2" DIA.	1
68	--8428-7	NUT - 3/8" x 23 HEX DIA.	1
69	--8428-9	NUT - 3/8" x 18 HEX	4
70	--8428-5	NUT - 3/8" x 18 HEX DIA.	1
71	--8428-11	NUT - 1/2" x 14 HEX	1
72	--7223-11	WASHER - 3/8" DIA.	4
73	--7224-8	WASHER - 1/4" HT. TOOTH LOCK	4
74	--7221-8	WASHER - 3/8" DIA.	4
75	--5471-104	NUT - 1/2" x 14 FLEX LOCK	1
76	--7222-5	WASHER - 5/16" DIA.	4
77	--7222-11	WASHER - 1/2" DIA.	10
78	--7224-14	WASHER - 3/8" HT. TOOTH LOCK	2
79	--7224-11	WASHER - 1/2" HT. TOOTH LOCK	4
80	--215-250-1250	PN - 1/4" DIA. x 1-1/4" SEL. LOCK	1
81	--215-187-0500	PN - 3/16" DIA. x 1/2" SEL. LOCK	2
82	--215-187-0750	PN - 3/16" DIA. x 3/4" SEL. LOCK	2
83	--8073-812	SCREW - 1/2" x 3/8" x 1-1/4" SOC. HD. CAP	4

TOOL C. PACKAGE			
NO.	PART NO.	DESCRIPTION OF ACCESSORIES	QTY
1	C-4623	TOOL KIT (NOT SHOWN)	1
2	5309	ADJUSTING ROD	1

# AUTO-TRIP BACKGAGE ASSEMBLY

A-6050-1 REV. K



Ref. No.	Part No.	Part Name	Qty
1.	A-6070	Trip Bracket Assembly . . . . .	1
2.	6069	Trip Bracket Roller . . . . .	2
3.	4599	Backgage Strip Plate . . . . .	1
4.	H-6910-102403	#10-24 x 3/8" But Hd Soc Screw . . . . .	2
5.	H-6938-102404	#10-24 x 1/4" Soc. Set Screw . . . . .	7
6.	S-1611-1	Side Guide Stop . . . . .	7
7.	6051-1	Backgage . . . . .	1
8.	4655	Backgage Clamp . . . . .	2
9.	H-6918-404	1/4-20 x 1/2 Soc. Hd. Cap Screw . . . . .	4
10.	H-6955-508	5/16-18 x 1" Thumb Screw . . . . .	2
11.	4794	Rear Gage Guide Plate . . . . .	1
12.	6063	Side Guide Slide . . . . .	1
13.	H-6913-407	1/4-20 x 1/2 Soc. Hd. Cap Screw . . . . .	1
14.	A-4785	Assembled Side Guide Roller . . . . .	1
15.	A-4791	Side Guide Face Assembly . . . . .	1
16.	6055-1	Side Guide Arm . . . . .	1
17.	6067	#8-32 x 3/8 Brass Finger Screw . . . . .	1
18.	H-6918-102408	#10-24 x 1" Soc. Hd. Cap Screw . . . . .	2
19.	A-6060-1	Adj. Screw and Trip Assembly . . . . .	1
20.	6056-1	Trip Lever Only . . . . .	1
21.	6057	Collar . . . . .	1
22.	H-21S-187-0625	1/8" x 5/8" Self-lock Pin . . . . .	1
23.	6058	Finger Screw . . . . .	1
24.	H-6423-#10	#10-24 Hex Nut . . . . .	1
25.	H-6940-102404	#10-24 x 1/4 Flat Pt Soc Set Screw . . . . .	1

# CHALLENGE JF DRILL

GBC#	VENDOR	DESCRIPTION
1726634	A4890-3	TABLE ASSY
1726635	A5050-1	BACKGAUGE
1726636	H5910-102408	SCREW
1726637	H7322	#10 WASHER
1726946	E-1800-21	MOTOR
1726947	E-1140-11	ROCKER SWITCH

