

Best-Rite Modifier XV
Adjustable Height Easel - 2 Sided
Vinyl Bulletin Board (Black Frame)

Instruction Manual

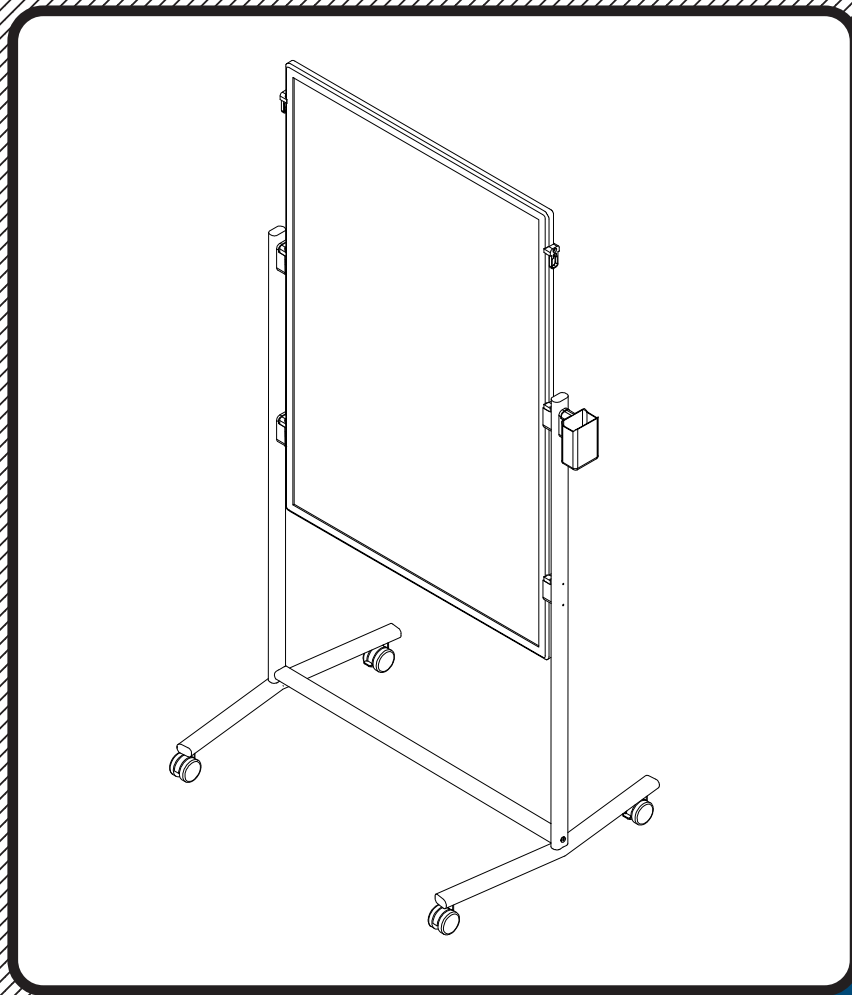


Provided by

MyBinding.com
When Image Matters.

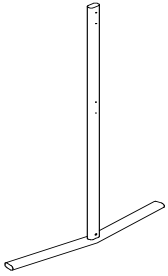
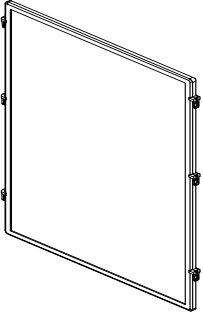
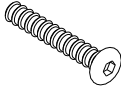
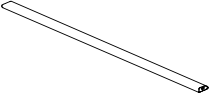

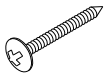





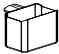
Call Us at 1-800-944-4573

#795 Modifier XV



Assembly Instructions

#795 Modifier XV

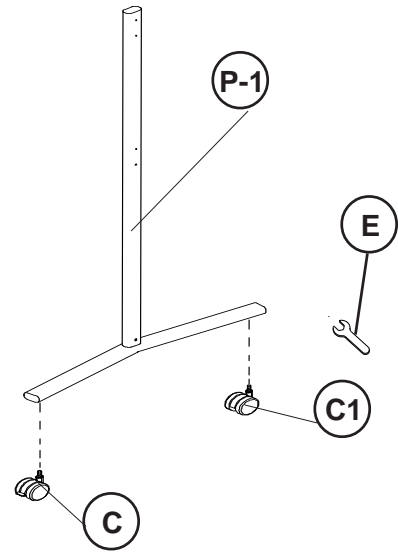
Part	Drawing	Description	Qty	Part	Drawing	Description	Qty
P-1		Welded Leg	2 EA	<div style="border: 1px solid black; padding: 5px; width: fit-content; margin: 0 auto;">Hardware List</div>			
P-2		Markerboard Panel	1 EA	A		Screw M6x38mm	2 EA
P-3		Bottom Cross Bar	1 EA	B		Phillips Screw Short	5 EA
				B1		Phillips Screw Long	5 EA
				C		2" Locking Caster	2 EA
				C1		2" Non-Locking Caster	2 EA
				D		Allen Wrench	1 EA
				E		Caster Wrench	1 EA
				F		Plastic Receiver	5 EA
				G		Plastic Cup	1 EA

READ THROUGH INSTRUCTIONS FROM BEGINNING TO END BEFORE STARTING TO ASSEMBLE UNIT.

To Assemble:

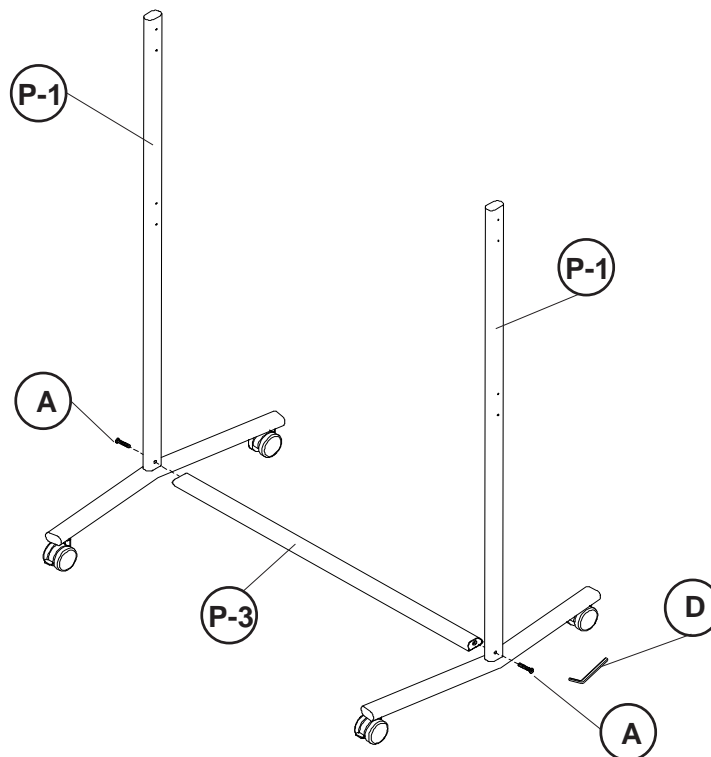
- 1.) Identify and Separate all the Parts and Hardware.
- 2.) Attach 2 Locking Casters (C) and 2 Non-Locking Casters (C1) to the Bottom of the 2 Legs (P-1). Tighten casters using Caster Wrench (E). See Illustration #1.

Illustration # 1



- 3.) Attach the Bottom Cross Bar (P3) in between the two Legs (P1) and secure using one Screw (A) through each Leg as shown in illustration #2. Tighten Screws with Allen Wrench (D).

Illustration # 2



- 4.) Attach five Plastic Receivers (F) to the Legs (P1) using one Phillips Screw Short (B) at the top and one Phillips Screw Long (B1) at the bottom of each as shown in illustration #3.

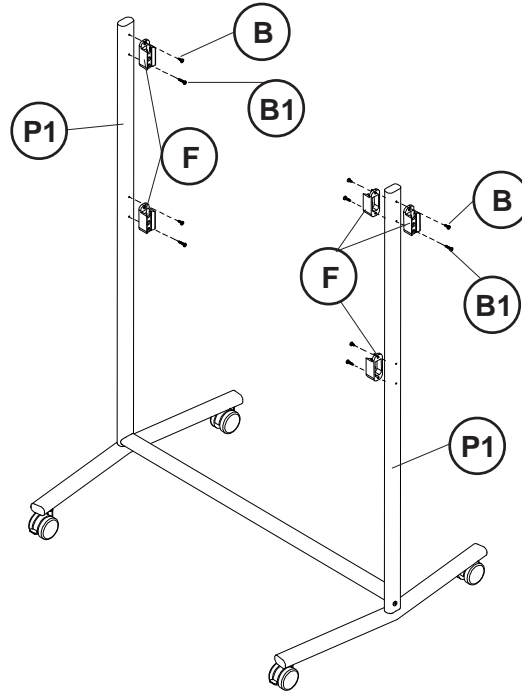


Illustration # 3

- 5.) Hook the Marker Board Panel (P2) into the Plastic Receivers (F) at the height you want. Hook the Plastic Cup (G) into the Plastic Receiver (F) on the outside of the Leg (P1) as shown in illustration #4.

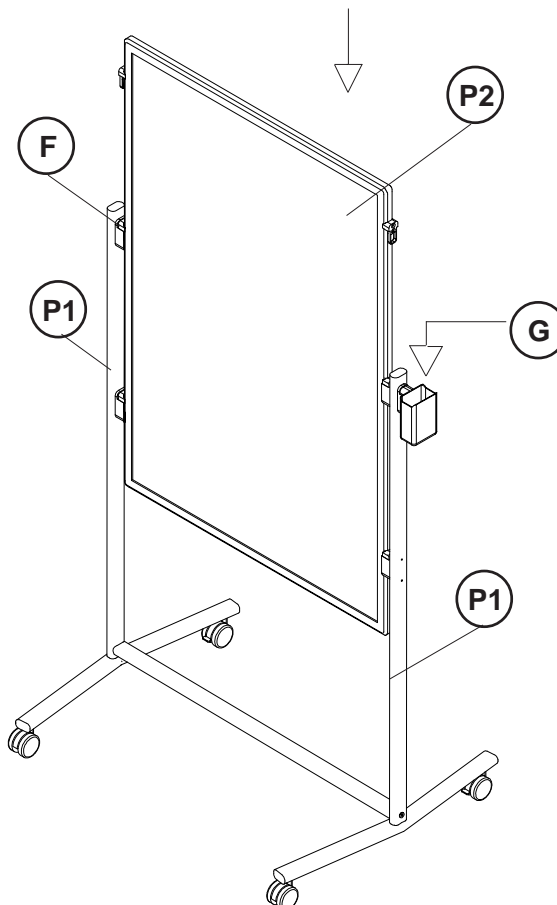


Illustration # 4

#795 Modifier XV

