

Akiles Roll-@-Blade 64 Inch Rotary Trimmer

Instruction Manual



Provided by

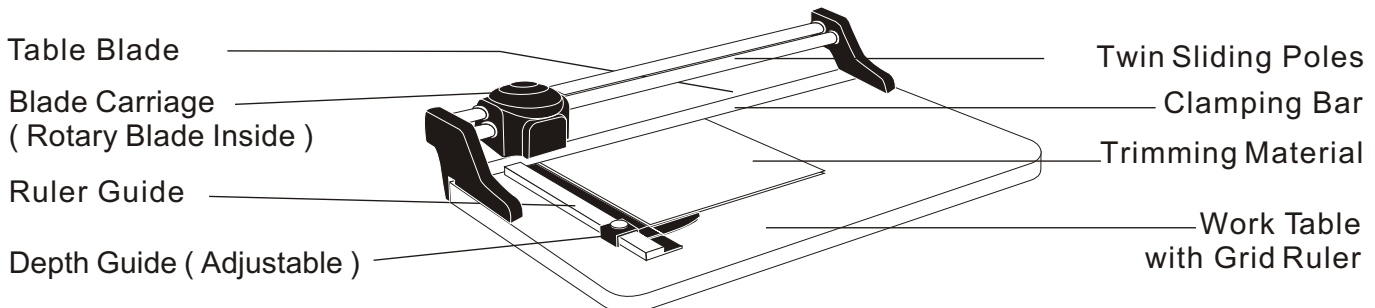
MyBinding.com
When Image Matters.

Call Us at 1-800-944-4573

Roll@Blade OPERATION INSTRUCTIONS

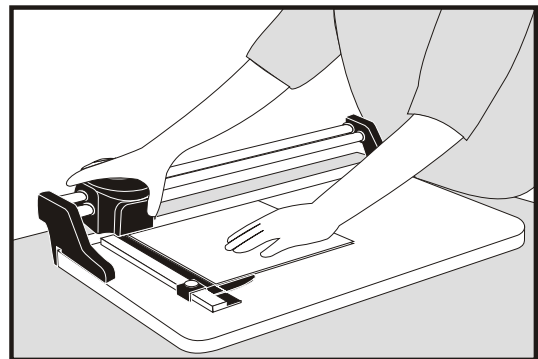
Congratulations on the purchase of your new **Roll@Blade**. A professional and efficient hand operated rotary trimmer. Your **Roll@Blade** was carefully designed with self-sharpening tungsten steel blade and premium quality components to guarantee an effortless and professional trimming, as well as many years of trouble free service. We recommend that you take a few minutes to familiarize yourself with the functions of your **Roll@Blade**. You will find that with just a little practice, anyone can achieve professional results.

FEATURES



OPERATION

1. Place your **Roll@Blade** on a sturdy table.
2. Position the Blade Carriage at either end of Sliding Poles.
REMARKS: Your **Roll@Blade** is designed to trim in either direction.
3. Using the Ruler Guide, adjust the Depth Guide to the desired measurement.
4. Insert trimming material beneath the Clamping Bar and align it against the Ruler Guide and Depth Guide.
5. Hold trimming material while sliding the Blade Carriage to complete the trim in one movement. REMARKS: Do **NOT** place or press your fingers on the Clamping Bar while trimming, to avoid injury.

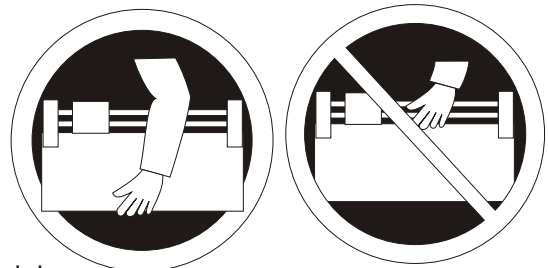


IMPORTANT:

Your **Roll@Blade** can trim a very wide range of materials, such as paper, newsprint, cardboard, plastic films, polycover, vellum, aluminum foil, vinyl, PVC, polyester, polypropylene, polyethylene, leather, veneer, etc. The trimming capacity of your **Roll@Blade** is up to 2.0 mm. To maximize the lifespan of your **Roll@Blade**, never exceed the trimming capacity (2.0mm) and always adjust the sheets of trimming material according to the material being trimmed, so that you can comfortably slide the Blade Carriage.

SAFETY & MAINTENANCE

1. Always carry or pull your **Roll@Blade** by the baseboard.
NEVER carry it by the twin poles.
2. **NEVER** place your fingers underneath the Blade Carriage, to avoid injury, as blade is inside the carriage.
3. **NEVER** touch the table blade to avoid injury.
4. Do **NOT** place or press your fingers on the Clamping Bar while trimming, to avoid injury.
5. The rotary blade is designed to self-sharpen. Slide the Blade Carriage over the Twin Sliding Poles without any trimming material on a regular basis, to maintain its sharpness.
6. To ensure a smooth and silent sliding motion, apply some lubricant to the Twin Sliding Poles occasionally. Always keep the rotary blade clean from dusts and residues.



WARRANTY POLICY

Your **Roll@Blade** has a warranty of one year, from its purchase date. In the event of a manufacturer defect, your distributor (at option) will repair or replace it. **IMPORTANT:** This warranty does not cover damages due improper use or mishandling of the unit, including any extraordinary event leading to the damage, whether it is foreseeable or not.

If your **Roll@Blade** is not trimming properly, first follow the Operation Instructions above. If the problem persists, please contact your dealer for further instructions. Please have your machine's serial number and the purchase date ready. If the machine must be returned to your distributor, it is your responsibility to properly pack it and ship it, as any damage incurred during its transportation will not be covered by our warranty policy.