

# ***SealerSales W-220DT 8" Direct Heat Foot-Operated Sealer w/ PTFE Coated Mesh Seal***

## Parts List



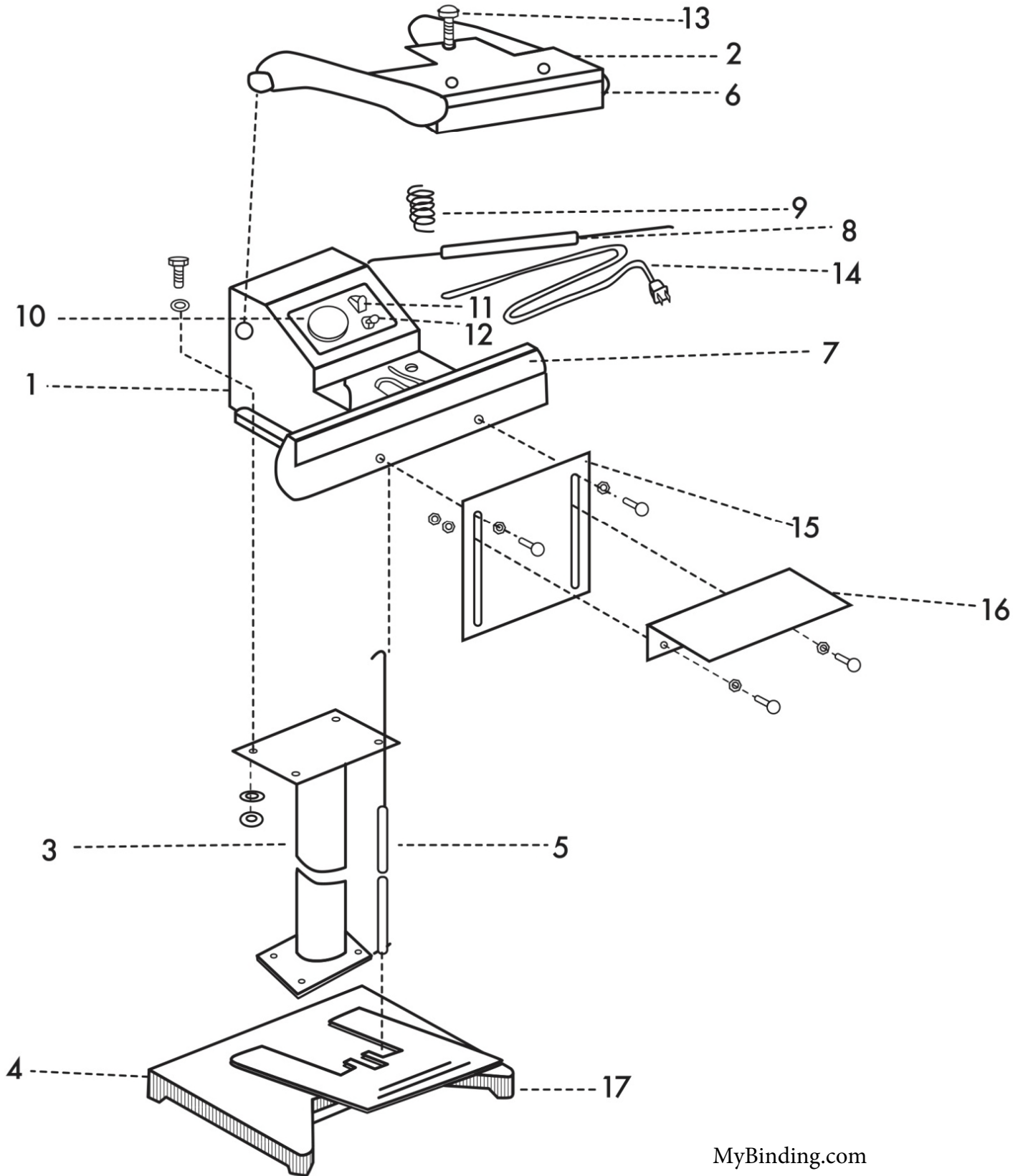
*Provided by*

**MyBinding.com**

*When Image Matters.*

Call Us at 1-800-944-4573

■ WH DIRECT HEAT SEALER FOOT OPERATED  
W-220DT, -300DT, -450DT  
*Spare Parts* **DIAGRAM**



MyBinding.com  
5500 NE Moore Court  
Hillsboro, OR 97124  
Toll Free: 1-800-944-4573  
Local: 503-640-5920

# ■ WH Double Impulse Foot Sealers

## W-300T, W-450T, W-600T

### Spare Parts **DIAGRAM**

<b>W-SERIES DIRECT HEAT - FOOT SEALER</b>		
<b>LAST UPDATED: 11/07/13</b>		
<b>No.</b>	<b>DESCRIPTION</b>	<b>Part #</b>
1	Control Set Bracket	WHDH-1
2	Upper Bracket/Jaw (same as W-300T, but with holes)	WHDH-2
	Control Set Bracket (#1) and Upper Jaw (#2) and accompanying screws	WHDH-1/2
3	Standing Tube	ST-WH
3a	Standing Tube Extended, 36"	STE-WH
4	Pedal Base	WHDF-4
	Foot Board	FB-WH
5	Level Set, Pulling Pole Set	PPS-WH
5a	Level Set, 36"	PPSE-WH
	Standing Tube + Pulling Pole Set	ST+PP-WH
	Standing Tube, Extended, 36" + Pulling Pole Set	STE+PPE-WH
6A	PTFE Coated Sealing Bar - W-220DT - Pair (upper and lower)	
6C	PTFE Coated Sealing Bar, Pair, Meshed (old part #21)	WHDH-3A
	PTFE Coated Sealing Bar, Pair Coated, Serrated (line) (old part #21A)	WHDH-3B
6D	PTFE Coated Sealing Bar - W-450DT - Pair (upper and lower)	
7A	PTFE Coated Sealing Bar - W-220DT - Pair (upper and lower)	
7C	PTFE Coated Sealing Bar, Pair, Meshed (old part #21)	WHDH-3A
	PTFE Coated Sealing Bar, Pair Coated, Serrated (line) (old part #21A)	WHDH-3B
7D	PTFE Coated Sealing Bar - W-450DT - Pair (upper and lower)	
8A	Heater Element - W-220DT	
8B	Heater Element, 1 piece E-92302	WHDH-11
8D	Heater Element - W-450DT	
9	Pressing Spring, Large (W-300T and W-300DAT)	W-300T-12
10	Thermostats (E.G.O) E-010	TMC-WHDH
11	Power Switch, 3P, 15A/125V (W-Series)	WHLH-7
12	Circuit Breaker, 7A, W-350I and W-300DAT(S)	WHI-11a
13	Pressing Spring, Small W-00403	WHDF-6
14	Power Cord	PWC-WH
15	Working Adjusting Plate - 6 1/4" x 9 1/2" (W x L)	WHDF-19
16	Working Plate - 13 1/2" x 7" (W x L)	WHDF-20
17	Rubber Foot	
Not Shown		
18	Protector Bar / Isolated Plate / Top of Upper Seal Bar (old #22) - 12 1/4" x 2"	WHDH-20
18	Protector Bar / Isolated Plate / Upper Sealing Bar (old #22B) - 12" x 1" (holes - 1/2")	WHDH-23
18	Protector Bar / Isolated Plate / Lower Sealing Bar (old #22A) - 12" x 1" (holes - 1/8")	WHDH-27

MyBinding.com  
 5500 NE Moore Court  
 Hillsboro, OR 97124  
 Toll Free: 1-800-944-4573  
 Local: 503-640-5920