

***SealerSales W-300A 12"
Automatic Impulse Sealer
w/ 2.7mm Seal Width***

Parts List



Provided by

MyBinding.com

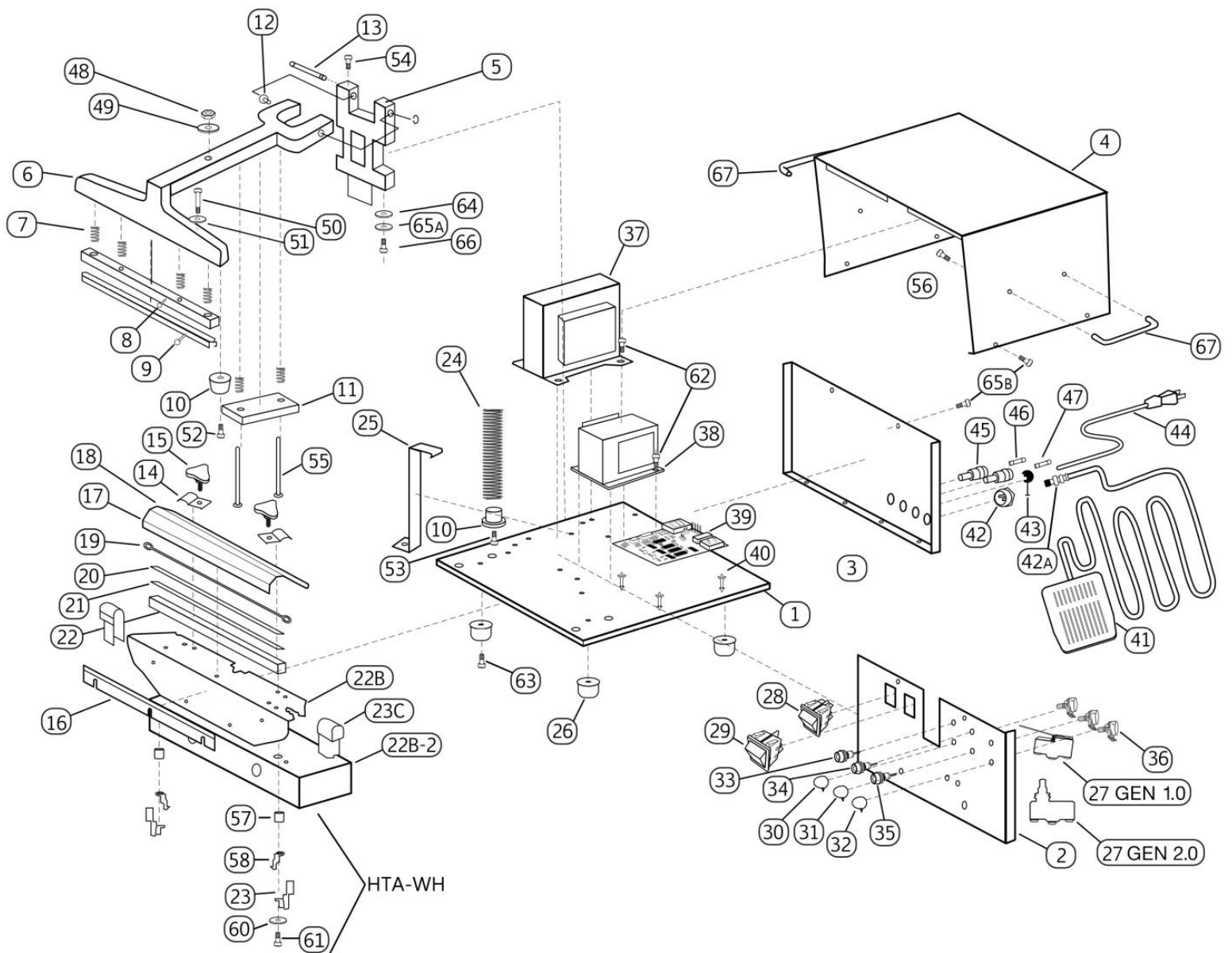
When Image Matters.

Call Us at 1-800-944-4573

WH Auto Sealer

(W-300A/305A, W-450A/455A, W-600A/605A, W-755AA)

Spare Parts **DIAGRAM**



MyBinding.com

5500 NE Moore Court

Hillsboro, OR 97124

Toll Free: 1-800-944-4573

Local: 503-640-5920

■ WH Auto Sealer

(W-300A/305A, W-450A/455A, W-600A/605A, W-755AA)

Spare Parts **DIAGRAM**

Item	Part #	Description	Comments
RKs	RK-Model#	REPLACEMENT KITS Includes (2) elements, (2) PTFE adhesives, and 1ft PTFE cover (2ft if double impulse)	specify model # when ordering
1		Bracket / Base	
2	WHA-2	Control Plate / Front Panel	
3	WHA-3	Rear Plate	
4	WHA-4	Cover	
5	WHA-5	T-Type Bracket	
6		Upper Jaw	specify model # when ordering
7	WHA-7	Spring, Small, Silicone Bracket (WHA, WHLF)	
8		Silicone Bracket	specify model # when ordering
9	SR-specifymodel#	Silicone Rubber	
10	WHA-10	Spring Bracket	
11	WHA-11	Sucking Plate	
12	WHA-12	Bushing / Pin Washer	
13	WHA-13	Shaft / Hinge Pin	
14	WHA-14	Plate for PTFE Sheet (Clip) (W-Series)	
15	WHA-15	Multi Star Knob (W-Series)	
16		PTFE Cover Plate	specify model # when ordering
17	TR-specifymodel#	PTFE Cover Roll	specify model # when ordering
18		PTFE Cover Roller (Iron Stick)	specify model # when ordering
19	HE-specifymodel#	Heating Element	specify model # when ordering
20	TA-specifymodel#	PTFE Adhesive (Insulated Tape), 6mil	specify model # when ordering
21	WHLH-49	Fiber Plate - 1.2m (47") - cut to fit	
22		Aluminum Bracket	specify model # when ordering
23	MS-WHA	Spring Hook, Mounting	
23b	HTA-WH	Heater Element Assembly Includes Parts #23,57,58,59,60,61	
23c	WHLH-36	Cover for Heating Element (Screw - WHLH-61) (WHA and WHLH)	
24	WHA-24	Spring, Big	
25		Stop Plate	
26	WHA-26	Rubber Mat / Rubber Foot	
27 - Gen 1.0	MSW-WHA	Microswitch / Arm - Gen 1.0	
27 - Gen 2.0	MSW-WHF	Microswitch / Arm - Gen 2.0	
27a	WHA-27A	Microswitch Plates (new gen - 2013)	
28	WHA-28	Power Switch (R), 4P Orange (On/Off)	
29	WHA-29	Power Switch (G), 6P Green (Manual/Auto)	
30	WHA-30	Knob, Red for (W-Series)	
31	WHA-31	Knob (Y), Yellow	
32	WHA-32	Knob (G), Green	
33	WHA-33	Lamp (R), LED for E.G.O. E-00302 for (W-Series)	
34	WHA-34	Lamp (Y), LED / Lamp (O)	
35	WHA-35	Lamp (G), LED	
36	WHA-36	Variable Resistor - 1M (W-Series)	

■ WH Auto Sealer

(W-300A/305A, W-450A/455A, W-600A/605A, W-755AA)

Spare Parts **DIAGRAM**

Item	Part #	Description	Comments
37	TRNS-specifymodel#	Transformer	specify model # when ordering
38	Solenoid-WH	Solenoid (Electromagnet) TF-281 (2 for AA models)	
39	WHA-39	PC Board, w/ 25A Relay	
40	WHA-40	Pin for PC Board	
41	FSW-WH	Foot Switch	
42	TISA-39	Foot Switch Connect at Sealer	
42a	TISA-30c	Foot Switch Connect at Foot Switch	
43	WHA-43	Grommet (W-Series)	
44	PC-WH	Power Cord PC-WH	
45	WHA-45	Fuse Holder	
46	WHA-46	Fuse (1A)	
47	Fuse-10amp	Fuse (10A)	for W-300A / W-450A
47a	Fuse-15amp	Fuse (15A)	for W-305A / W-455A / W-600A
47b	Fuse-20amp	Fuse (20A)	for W-605A
48		Nut 1/4	
49		Washer 1/4 x 1 x 16	
50	WHA-50	Hex Cap Screw 5/16 for #8	
51	WHA-51	Washer	
52	WHA-52	Hex Cap Screw 1/4x1 for #10	
53		Screw 4x25	
54	WHA-54	Screw #54 for Shaft/Hinge Pin (includes nut and washer)	
55	WHA-55	Screw 1/4x3 1/4 for #11	
56	Screw-M4x8	M4*8 Screw	
57	WHA-57	Washer (R)	
58	WHLH-42	Solderless Terminal 2-8 / Connecting Plate	
59	WHA-59	Bushing (BK), Convex	
60		Washer 3/16	
61		Screw 3/16x1/2	
62		Screw 5x8	
63	WHA-63	Screw 5x15 - For Rubber Foot	
64	WHA-64	Washer 3/8x2x24 for #5	
65A	WHA-65	Spring Washer 3/8 for #5	
65B		Screw for Cover of Sealer (side)	
66	WHA-66	Hex Cap Screw 3/8x3/4 for #5	
67	WHLH-9	Handle (metal) for WHLH and WHA	
70	WHDF-20	Working Plate	
70a	WHDF-19A	Working Adjusting Plate Screw Set - (Includes: 2-screws, 4-washers, and 2-wing nuts)	
70b	WHDF-20A	Working Plate Screw Set - WHA, WHDF	
71	WHDF-19	Working Adjusting Plate - 6 1/4" x 9 1/2" (W x L)	