

Stand & Waste Catcher for Rotatrim 26" Technical / Digitech Trimmers

Instruction Manual



Provided by

MyBinding.com

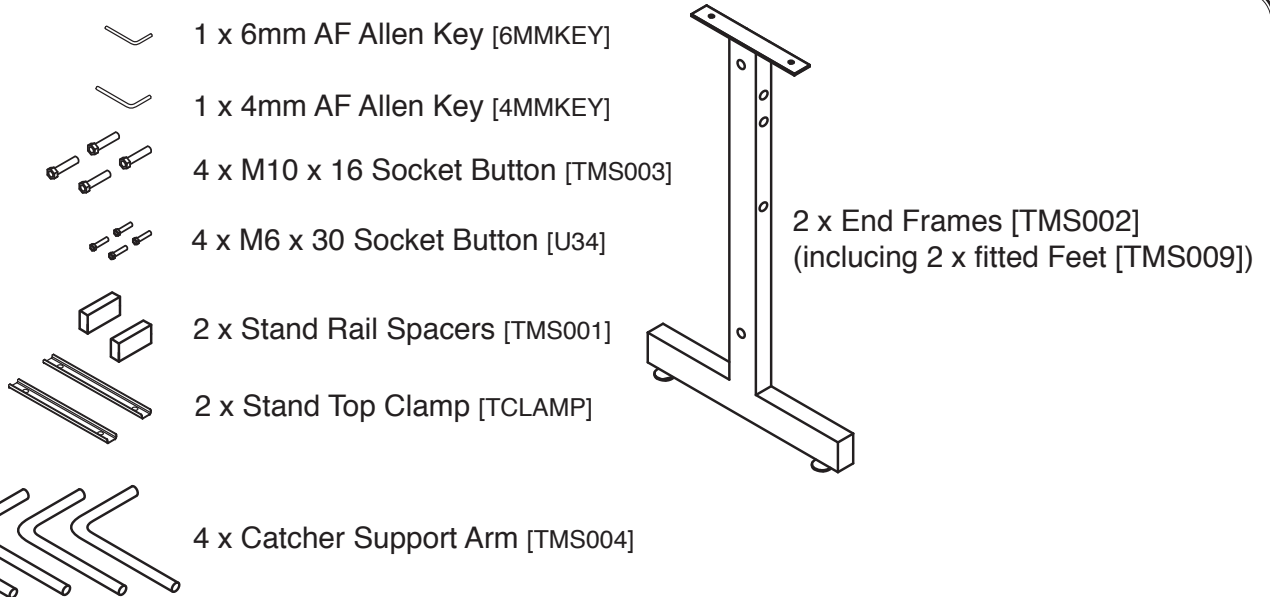
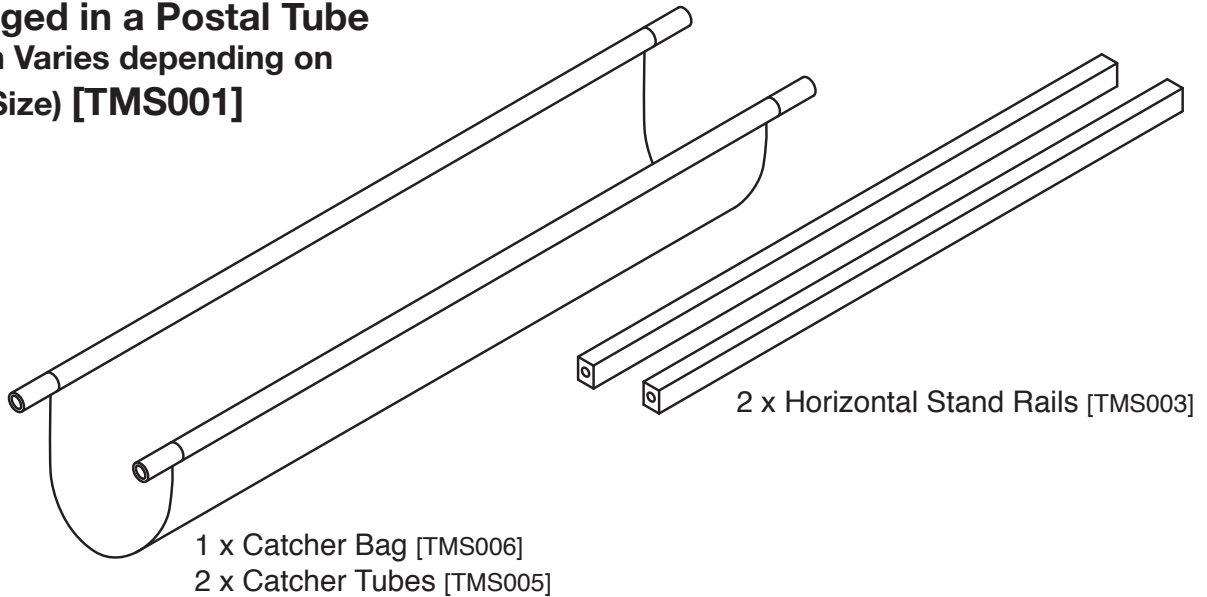
When Image Matters.

Call Us at 1-800-944-4573

T-DT-FT Packaging Instructions

(Universal Stand for all: Technical - DigiTech+ - FoamTech Machines)

Packaged in a Postal Tube
 (Length Varies depending on
 Stand Size) [TMS001]



Packaged in a Stand Box [STBOX]

Rotatrim
 THE WORLD'S FINEST ROTARY CUTTING EQUIPMENT

MyBinding.com
 5500 NE Moore Court
 Hillsboro, OR 97124
 Toll Free: 1-800-944-4573
 Local: 503-640-5920