

# ***Ovation 34"x47" Radius 2 Door Gray Frame Black Letterboard***

Product Spec Sheet



*Provided by*

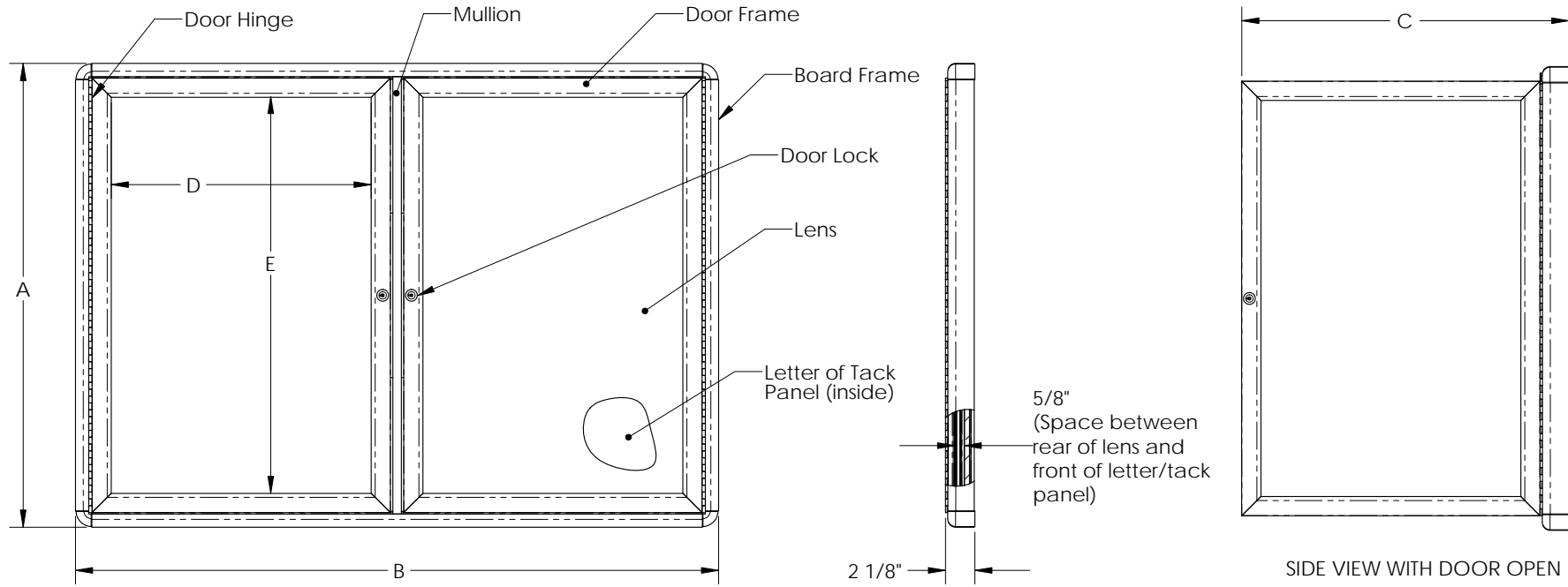
**MyBinding.com**  
*When Image Matters.*

Call Us at 1-800-944-4573

# Ovation Series

## Enclosed Boards - 2 Door

MyBinding.com  
 5500 NE Moore Court  
 Hillsboro, OR 97124  
 Toll Free: 1-800-944-4573  
 Local: 503-640-5920



### Materials:

- Board frame, door frames, and door hinges - aluminum.
- Lens - clear acrylic sheet.
- Letter panel - flannel stuffed 1/2" thick grooved medium density fiberboard (MDF).
- Tack panel - fabric covered 3/8" thick fiber board.
- Board corners - die cast zinc
- Lock, hangers, and fasteners - steel

### Features:

- Full length door hinges.
- Rounded board frame corners
- Cam style door locks with two keys.
- Four installed hangers
- One set of white plastic 3/4" gothic letters (included with boards with letter panels)

### Options:

- Available with either a letter panel or a tack panel.
- Board and door frame finishes - powder coated black, gray, medium cherry, or natural maple.
- Letter panel colors - black or burgundy
- Tack panel colors - black, gray, or merlot (black and gray frames)  
 beige, black, blue, gray, or merlot (cherry and maple frames)
- Board corner colors - black (black, cherry or maple frames)  
 gray (gray frames only)  
 chrome (cherry or maple frames)

MODEL#	A	B	C	D	E
OVG2-BBG thru OVNMC2-F95	33-3/4"	46-7/8"	23-7/8"	19"	28-7/8"
OVK4-BBG thru OVNMC4-F95	36-1/16"	60-1/16"	30-7/16"	21-1/4"	31-1/8"

### Notes:

Optional matching non-illuminated separate headers are also available.