

# ***Ovation 34"x47" 2 Sliding Door Gray Frame Black Letterboard***

**Instruction Manual**



*Provided by*

**MyBinding.com**  
*When Image Matters.*

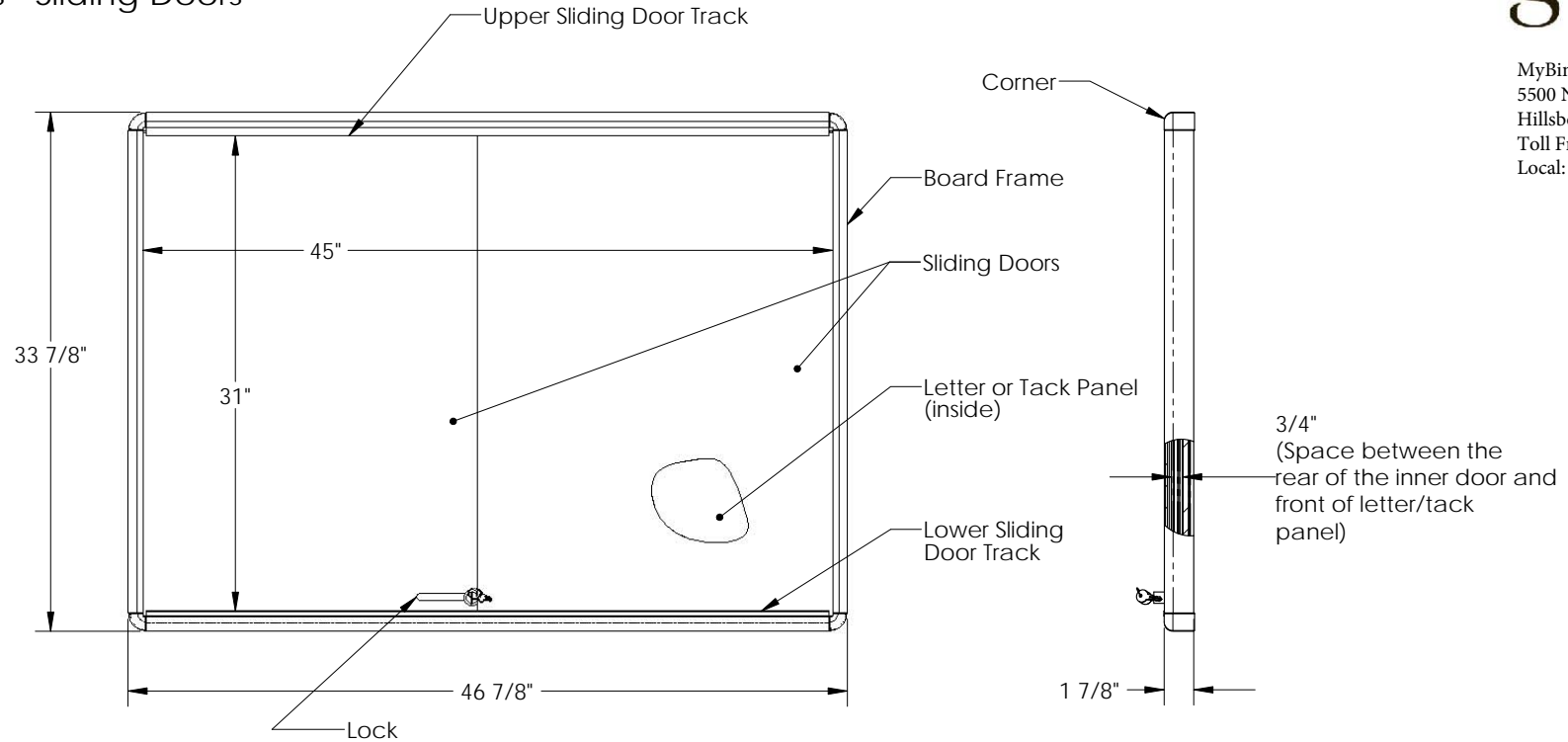
Call Us at 1-800-944-4573

# Ovation Series

## Enclosed Boards - Sliding Doors

ghent.

MyBinding.com  
5500 NE Moore Court  
Hillsboro, OR 97124  
Toll Free: 1-800-944-4573  
Local: 503-640-5920



### Materials:

- Board frame - aluminum
- Sliding doors - 1/8" thick tempered glass
- Letter panel - flannel stuffed 1/2" thick grooved medium density fiberboard (MDF).
- Tack panel - fabric covered 3/8" thick fiber board
- Door tracks - color matched PVC
- Board corners - die cast zinc
- Lock, hanger, and fasteners - steel

### Features:

- Full length door hinge.
- Rounded board frame corners
- Sliding glass door style lock with two keys.
- Four installed hangers
- One set of white plastic 3/4" gothic letters (included with boards with letter panels)
- Finger pulls for the sliding glass panels.

### Options:

- Available with either a letter panel or a tack panel.
- Board frame finishes - powder coated black, gray, medium cherry, or natural maple.
- Letter panel colors - black or burgundy
- Tack panel colors - black, gray, or merlot (black and gray frames)  
beige, black, blue, gray, or merlot (cherry and maple frames)
- Board corner colors - black (black, cherry or maple frames)  
gray (gray frames only)  
chrome (cherry or maple frames)

### Notes:

- Optional matching non-illuminated separate headers are also available.