

ShrinkFast Model 998 Industrial Shrink Wrap Heat Gun

Parts List



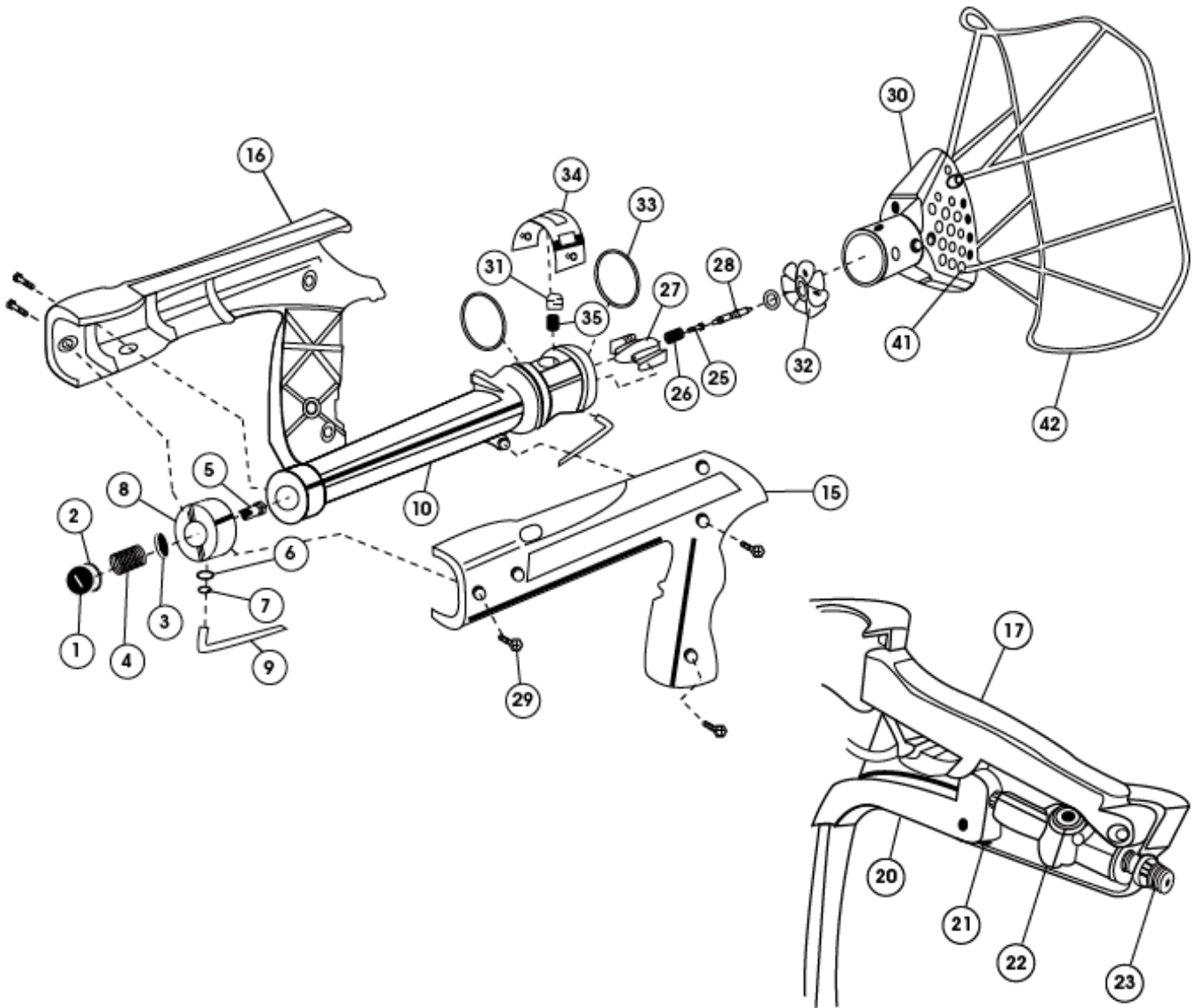
Provided by

MyBinding.com
When Image Matters.

Call Us at 1-800-944-4573

SHRINKFAST®

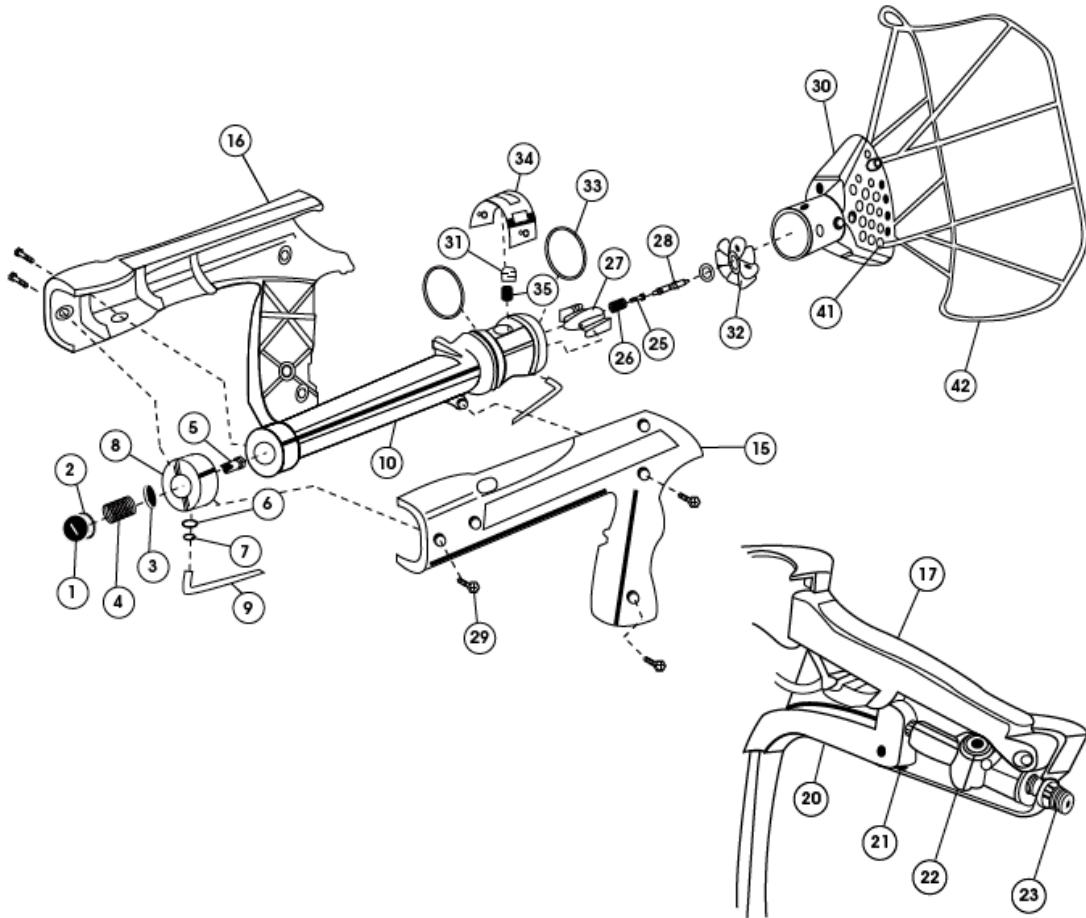
Spare Parts Diagram and List



MyBinding.com
5500 NE Moore Court
Hillsboro, OR 97124
Toll Free: 1-800-944-4573
Local: 503-640-5920

SHRINKFAST®

Spare Parts Diagram and List



SHRIKFAST HEAT GUN - MODEL 998

No.	Description	No.	Description
1	Filter Holder	27	Socket
2	O-Ring	28	Spark Plug
3	Filter (Disc)	29	Assembly Screws
4	Filter Spring	30	Combustor
5	Orifice Assembly	31	Button
6	24 O-Ring	32	Flameholder
7	Retainer	33	O-Ring
8	Inlet	34	Strap
9	Fuel Line	35	Button Spring
10	Pump Body	36	Hose Assembly (Not Shown)
15	Housing, RH	37	Regulator Assembly (Not Shown)
16	Housing, LH	38	Pol Fitting (Not Shown)
17	Trigger/Igniter Assembly	39	Gauge (Not Shown)
20	Safety	40	Metal Box (Not Shown)
21	Spring	41	Guard Screw
22	Valve Assembly	42	UL Guard
23	Hose Adapter	43	Wrench (Not Shown)
25	Contact Screw	44	Hose to Hose Connector (Not Shown)
26	Contact Spring		