

SealerSales KF-200CS
Portable PTFE Coated 8" Direct
Heat Sealer with Temp Controller

Parts List



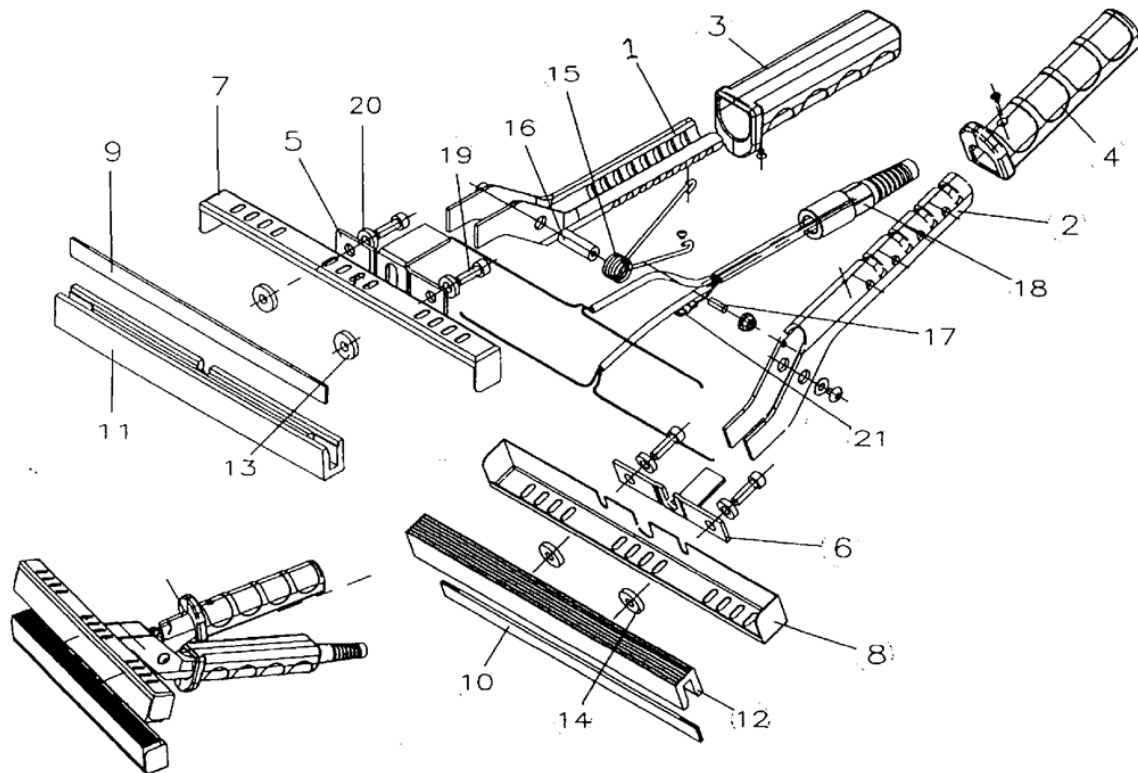
Provided by

MyBinding.com

When Image Matters.

Call Us at 1-800-944-4573

■ KF Portable Direct Heat Hand Sealers (KF-200CS, KF-300CS) Spare Parts D I A G R A M



| No. | Description | No. | Description |
|-----|------------------------|-----|------------------------|
| 1 | Lower Grip | 12 | Upper Sealing Bar |
| 2 | Upper Grip | 13 | Round Insulating Sheet |
| 3 | Lower Jacket | 14 | Round Insulating Sheet |
| 4 | Upper Jacket | 15 | Spring |
| 5 | Lower Bracket | 16 | Fixed Bolt |
| 6 | Upper Bracket | 17 | Limited Screw |
| 7 | Lower Protective Cover | 18 | AC Cord |
| 8 | Upper Protective Cover | 19 | Locked Screw |
| 9 | Lower Heating Bar | 20 | Washer |
| 10 | Upper Heating Bar | 21 | Earth Wire Terminal |
| 11 | Lower Sealing Bar | | |

MyBinding.com
5500 NE Moore Court
Hillsboro, OR 97124
Toll Free: 1-800-944-4573
Local: 503-640-5920