

SealerSales WN-650HC

***26" Long Hand Impulse Sealer w/
Sliding Cutter***

Instruction Manual



Provided by

MyBinding.com
When Image Matters.

Call Us at 1-800-944-4573

TROUBLESHOOTING

MALFUNCTIONS	REASONS	SUGGESTIONS
No sealing Power lamp is off	Disconnected plug Power cord is broken Transformer is broken	Check or change the plug Replace or repair the cord Replace the transformer
No sealing Power lamp is on Sealing lamp is on	Heater (heating element) is broken Spring hook our mounting spring is loose or in poor contact Terminals of the heating element are in poor contact	Replace the heater Clean or tighten spring hook connection Clean the terminals and adjust if needed
No sealing Power lamp is on Sealing lamp is off	Microswitch is activated Defective microswitch	Adjust the microswitch lever Adjust the microswitch position Replace the microswitch
Teflon cloth burn	Timer malfunction Prolonged heating time	Replace timer or relay Decrease the timer setting
Heating wire breaks	Worn Teflon adhesive	Replace the Teflon adhesive
Seal is wrinkled	Heating timer is set too high Cooling time is not enough	Lower the timer setting Continue pressing the upper lever for 1-2 seconds after the light goes off
Imperfect seal	Worn Teflon cloth Worn silicone rubber	Replace Teflon cloth Replace silicone rubber
Broken seal	Prolonged sealing time	Decrease timer setting
Non-full-weld seal	Sealing time is too short	Increase sealing time
Seal sticking	Dirty Teflon cloth Dirty sealing bar	Clean the Teflon cover Clean the silicone rubber sealing bar

LONG HAND IMPULSE SEALER

OPERATING INSTRUCTIONS

MODEL

WN-500H/HC, WN-650H/HC,
WN-750H/HC, WN-1000H/HC,
WN-1500HC



SPECIFICATIONS

Model	WN-500H/HC	WN-650H/HC	WN-750H/HC
Power	110V/600W	110V/800W	110V/1000W
Sealing Length	19.75"	25.75"	29.75"
Cutting Length	18.75"	24.75"	28.75"
Seal Type	2.7mm	2.7mm	2.7mm
Weight (lbs)	27	33	35
Model	WN-1000H/HC	WN-1500H	
Power	110V/1400W	110V/2500W	
Sealing Length	29.75"	59.06"	
Cutting Length	38.5"	N/A	
Seal Type	2.7mm	2.7mm	
Weight (lbs)	42	55	

OPERATING INSTRUCTIONS

Before operating, check the heating element, Teflon cover, Teflon adhesive and sealing pad (silicone rubber).

1. Set the Power Switch to the **ON** position.
2. Adjust the timer setting according to the thickness of the sealing material. **Note: Always start with the lowest setting and gradually increase to the correct setting.**
3. Pull the film to be sealed in between the base and sealing jaw.
4. Place the object to be sealed between the sheets of film.
5. Press the sealing bar down and seal.
6. Wait 2-3 seconds to allow the seal to set and lift the handle. For Cutter Models, slide the cutter unit to cut the bag.

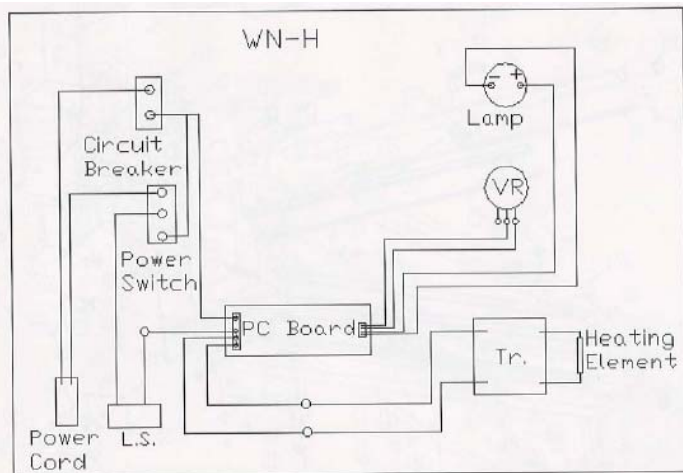
IMPORTANT POINTS TO REMEMBER

- **Read** all instructions before use. Save these instructions for later use.
- **Follow** all warnings and instructions marked on the product.
- **Unplug** this product from the power source before cleaning and/or changing any parts
- Do not rest anything on the power cord. Do not place the machine where the power cord may be stepped on or pulled.
- Always **keep out** of reach of **children** and pets.
- This sealer should only be in use with an **operator** in attendance.
- **Never insert** clothing, hands, fingers between the sealing jaws of sealers.
- **Never touch** the heating elements with bare hands while the sealer is plugged into a power source, or in operation, or just finished operation. It will be **HOT**.
- Be sure to **check** for **worn parts** before starting operation.
- Do not operate with a **damaged power cord** or plug.
- Always keep the unit **clean**. Do not use water. Silicone spray may be used to clean the unit. Be sure the unit is unplugged from the power source before cleaning.
- When changing **blade** (for sealers with cutters), be **careful** of the sharp edge.
- When changing the teflon adhesive, be sure the entire surface under the **heating element** is covered with a teflon adhesive. Bend down the excess teflon adhesive on both ends. This prevents the heating element from breaking and the machine from **grounding**.
- When replacing the **fuse**, be sure the exact voltage and ampere is used.
- Be sure to keep a record of your model number. Specify this number when ordering parts.
- When replacing any parts, be sure to **mark down** the exact locations of the connections.

ADDITIONAL INFORMATION

- Always unplug the unit from the power source before attempting any maintenance.
- Always keep the sealing platform clean and remove any residue found on the platform and Teflon tape. Silicone spray may be used for this purpose.
- When replacing the Heating Element, always check the condition of the Teflon Tape.
- Occasionally check the condition of the Silicone Rubber for wear and burn. A damaged or worn Silicone Rubber will affect the quality of the seal.

CONNECTION DIAGRAM



WN Long Hand Sealers

WN500H/650H/750H/900H/1000H/500HC/650HC/750HC/1000HC

Spare Parts DIAGRAM

No.	Description	No.	Description	No.	Description	No.	Description	No.	Description
1	Base	13	Isolated Washer	27	Nut 3/16	41	Spring Hook	53	Washer
2	Square Tube	14	P.C. Board	28	Back Plate	42	Connecting Plate	54	Lever Knob
3	Sealing Bar	15	Panel Sticker	29	Support Bracket - R	43	Screw M4*8	55	Screw 3/16*11/2
4	Silicone Rubber	16	Timer Box	30	Support Bracket - L	44	Hexagon Bolt M6*16	56	Nut 3/8
5	Fixed Plate for Teflon Cloth	17	Washer	31	Plate for Microswitch	45	Hexagon Bolt 3/8*13/4	57	Spring Washer 3/8
6	Roll Stick for Teflon Cloth	18	Nut M4	32	Holder for Tension Spring	46	Screw M3*15	58	Washer 3/8
7	Power Switch	19	Paper Plate (red)	35	Microswitch	47	Multi Star Screw	59	Screw M4*6
8	LED Lamp	20	Paper Plate (red) (S)	36	Cover for Heating Element	48	Plate for Teflon Cloth	60	Screw M5*8
9	Handle (metal)	21	Screw M4*20	37	Stopper 25*25	49	Fiber Plate	61	Screw M4*10
10	Circuit Breaker	22	Transformer	38	Rubber Foot	50	Handle (Plastic)	62	Hexagon Bolt M6*20
11	Variable Resistor (V.R.)	23	Screw M4*10	39	Sponge (S)	51	Screw M5*15	63	Teflon Cloth
12	Timer Knob	24	Grommet	40	Insulated Screw	52	Spring Washer	65	Heating Element
								66	Power Cord
								67	Spring
								68	Plate for Cutter Unit
								69	Bracket for Cutter Unit
								70	Cutter Blade
								71	Protector for Cutter
								72	Cutter Holder
								73	Screw M3*8
								74	Silcone for Cutter Unit
								75	Bushing for Cutter Unit
								76	Screw M5*30

