

***Ghent 36.5" x 60.5" Non-  
Magnetic Acrylate Whiteboard  
with Wood Frame***

Product Spec Sheet



*Provided by*

**MyBinding.com**

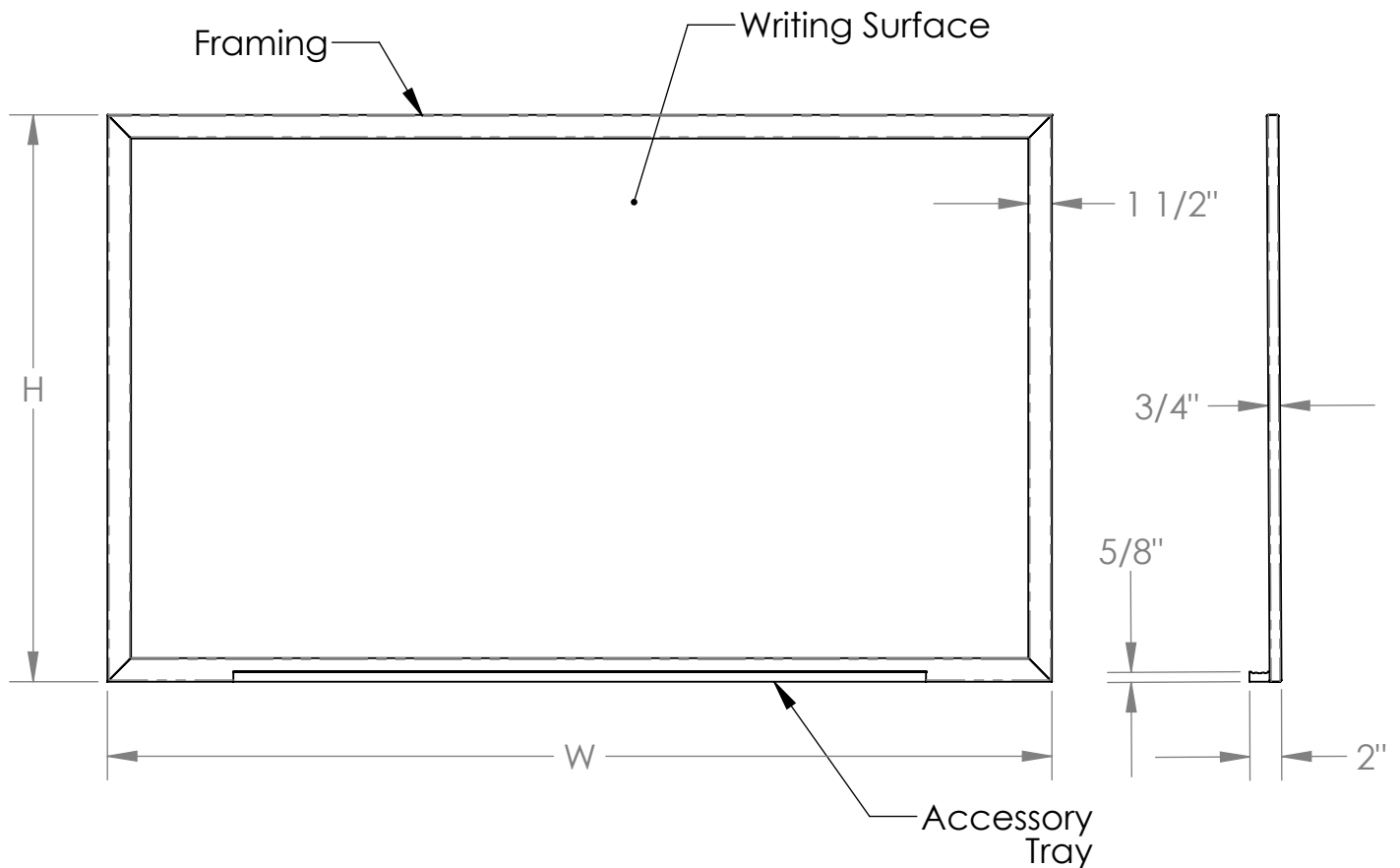
*When Image Matters.*

Call Us at 1-800-944-4573

# M2W Series

ghent.

## Wood Framed Acrylate Whiteboards



### Materials:

- The board framing is clear coated solid red oak.
- The writing surface is acrylate applied to 1/8" thick hardboard

### Features:

- Board hangers are included.
- The board is guaranteed for 10 years.
- Available in (8) sizes: 18"H x 24"W, 2'H x 3'W, 3'H x 4'W, 3'H x 5'W, 4'H x 4'W, 4'H x 5'W, 4'H x 6'W, and 4'H x 8'W.

### Notes:

- Wall mounting hardware is not included.
- Indoor use only

MyBinding.com  
5500 NE Moore Court  
Hillsboro, OR 97124  
Toll Free: 1-800-944-4573  
Local: 503-640-5920