

GFP 230C 30'' ***Cold Roll Laminator***

Instruction Manual



Provided by

MyBinding.com
When Image Matters.

Call Us at 1-800-944-4573



SERVICE MANUAL Gfp 230 C



October 2013

MyBinding.com
5500 NE Moore Court
Hillsboro, OR 97124
Toll Free: 1-800-944-4573
Local: 503-640-5920

Table of Contents

	Page
1. Parts list	3-5
2. Exploded Drawings	
View 1 - Frame	6
View 2 - Frame and stand.....	7
View 3 - Left side frame.....	8
View 4 - Right side frame.....	9
3. Wiring Diagram.....	10

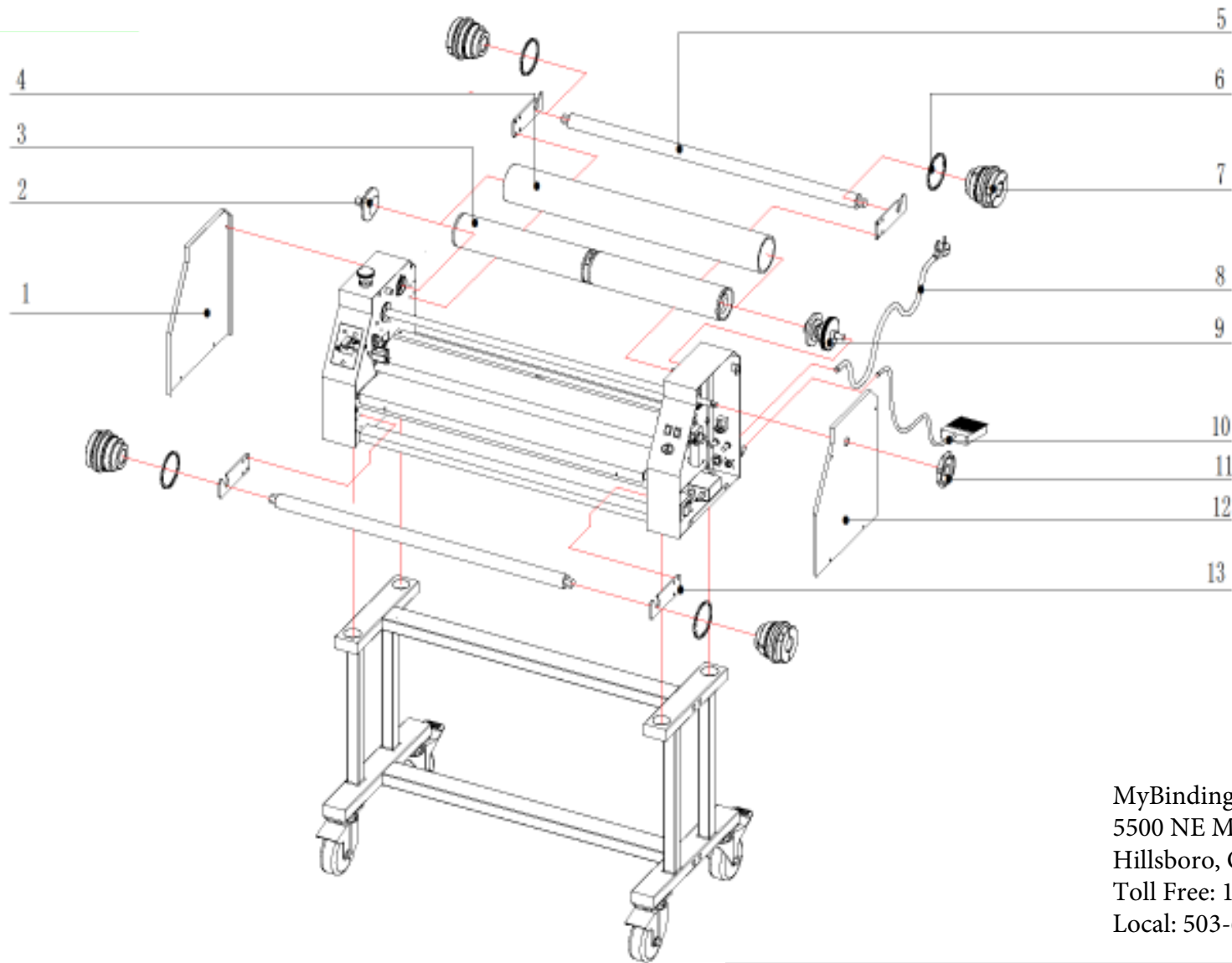
MyBinding.com
5500 NE Moore Court
Hillsboro, OR 97124
Toll Free: 1-800-944-4573
Local: 503-640-5920

July 2012

DRAWING NUMBER	PART NUMBER	DESCRIPTION	VIEW NUMBER	STOCK ITEM
01	30C-1	Left side cover	1	
02	30C-2	Friction disc of liner rewind roller	1	
03	30C-3	Liner rewind roller	1	YES
04	30C-4	Cardboard rewind tube	1	
05	30C-5	Unwind shaft	1	
06	C-30	Brake pad	1	
07	TH-3	Film core adaptor/ brake	1	
08	C-21	US power cord	1	
09	30C-9	Pressure adjustment assembly	1	YES
10	TH-111	Pedal switch	1	YES
11	30C-11	Pressure adjustment hand wheel	1	YES
12	30C-12	Right side cover	1	
13	30C-13	Unwind roller bracket	1	YES
14	30C-14	Cross member	2	
15	TH-82	Caster with brake	2	
16	TH-83	Caster without brake	2	
17	30C-17	Stand legs	2	
18	30C-18	Bottom support beam	2	
19	30C-19	Top support beam	2	
20	30C-20	Feed table	2	
21	30C-21	Left table bracket	2	
22	30C-22	Feed Table lock	2	
23	30C-23	Feed table positioning pin	2	
24	30C-24	Washer	2	
25	30C-25	Left side plate	2	
26	30C-26	Left side plate cover	2	
27	30C-27	Drive motor	2	YES
28	30C-28	Linkage pressure adjustment shaft	2	

DRAWING NUMBER	PART NUMBER	DESCRIPTION	VIEW NUMBER	STOCK ITEM
29	30C-29	Back supporting plate	2	
30	30C-30	Top roller	2	YES
31	30C-31	Bottom roller	2	YES
32	30C-32	Nip protection roller	2	
33	30C-33	Bearing seat	2	YES
34	30C-34	Stop pin of feed table	2	
35	30C-35	Right side plate	2	
36	C-36	Rubber foot	2	
37	30C-37	Right table bracket	2	
38	30C-38	Stop piece of angle gear	3	YES
39	30C-39	Angle gear	3	YES
40	30C-40	Motor sprocket	3	YES
41	30C-41	Flange plate of pressure adjustment	3	YES
42	30C-42	Stop piece of sprocket wheel	3	YES
43	30C-43	Large sprocket	3	YES
44	30C-44	Flange plate of friction disc	3	YES
45	30C-45	Left side frame	3	
46	TH-84	Emergency switch	3	YES
47	30C-47	Capacitor (Included with motor)	3	
48	TH-85	Wiring terminal	3	YES
49	30C-49	Drive motor chain	3	YES
50	30C-50	Rewind chain	3	YES
51	30C-51	Pressure adjustment bolt	3	YES
52	30C-52	Pressure adjustment seat	3	YES
53	30C-53	Pressure-regulating bearing seat	3	YES
54	TH-87	Speed control board	4	YES
55	C-55	Filter	4	
56	TH-99	Potentiometer	4	
57	30C-57	110v transformer	4	
58	C-58	Speed knob	4	YES

DRAWING NUMBER	PART NUMBER	DESCRIPTION	VIEW NUMBER	STOCK ITEM	
59	30C-59	Switch	4	YES	
60	30C-60	Right side frame	4		
61	TH-98	On/Off switch	4	YES	
62	TH-94	Fuse seat	4		
63	C-63	Fuse	4	YES	
64	30C-64	Tightener	4		
65	TH-97	Aviation plug	4		

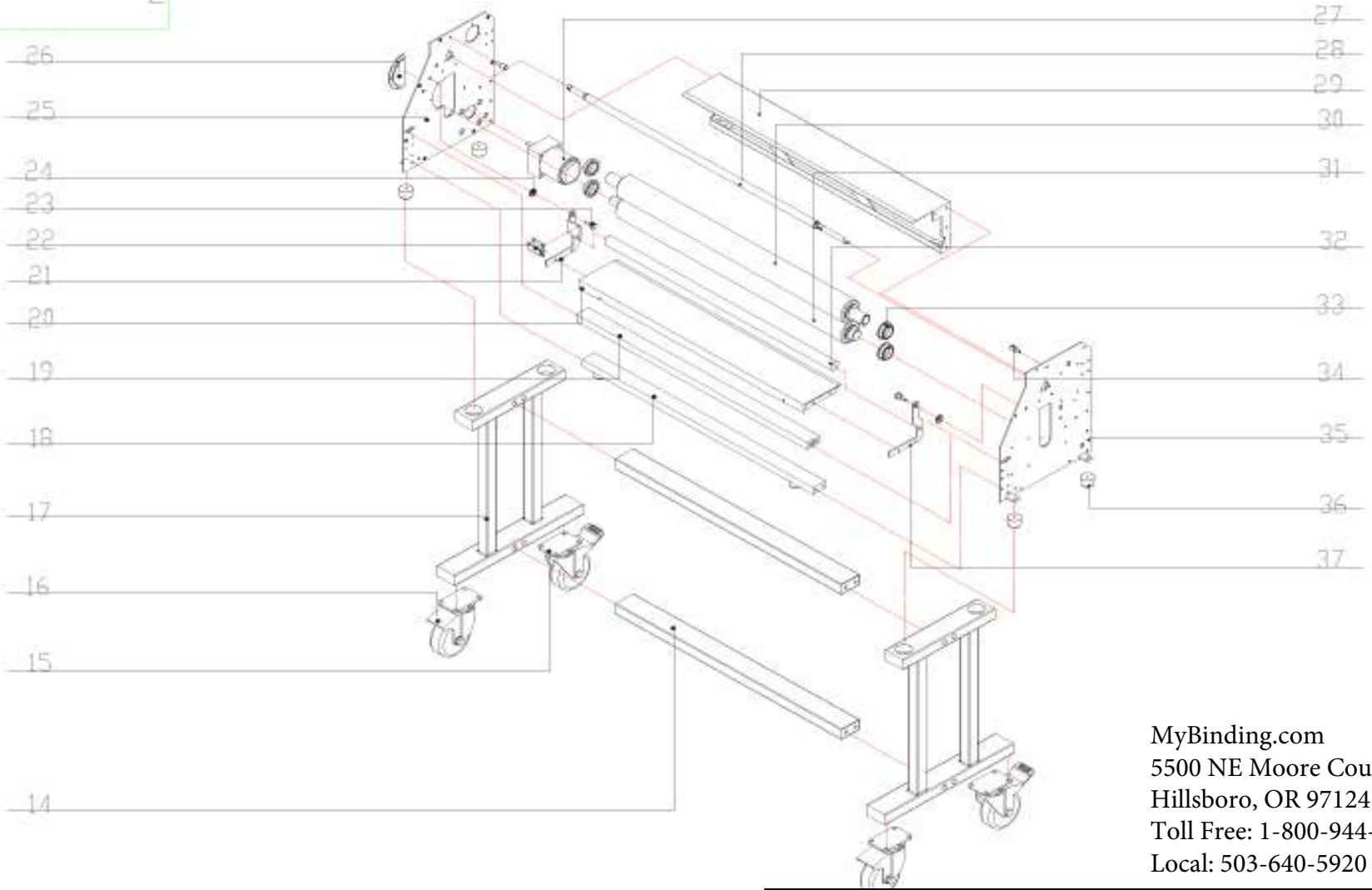


MyBinding.com
 5500 NE Moore Court
 Hillsboro, OR 97124
 Toll Free: 1-800-944-4573
 Local: 503-640-5920



View 1- Frame

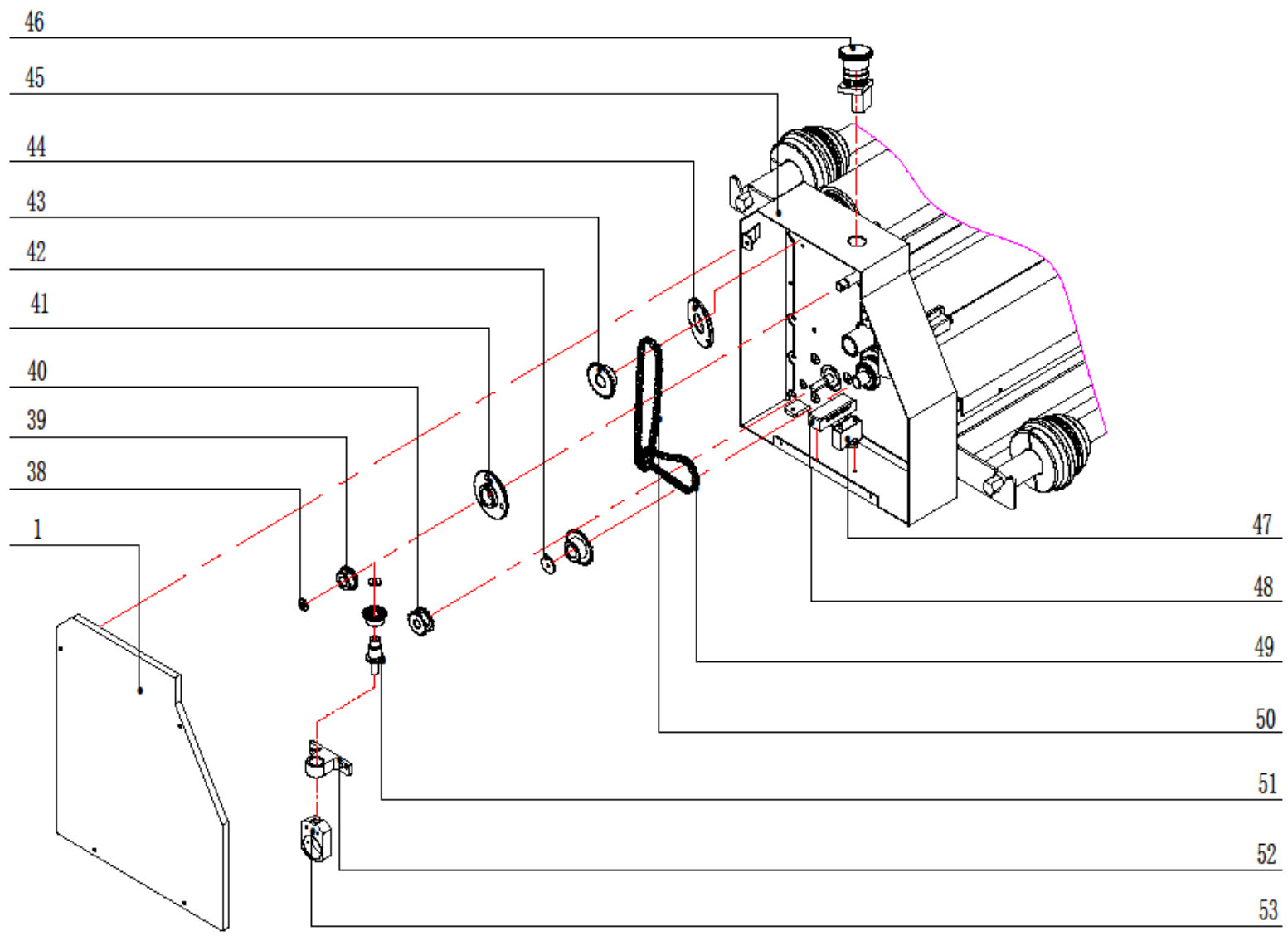
L



MyBinding.com
5500 NE Moore Court
Hillsboro, OR 97124
Toll Free: 1-800-944-4573
Local: 503-640-5920



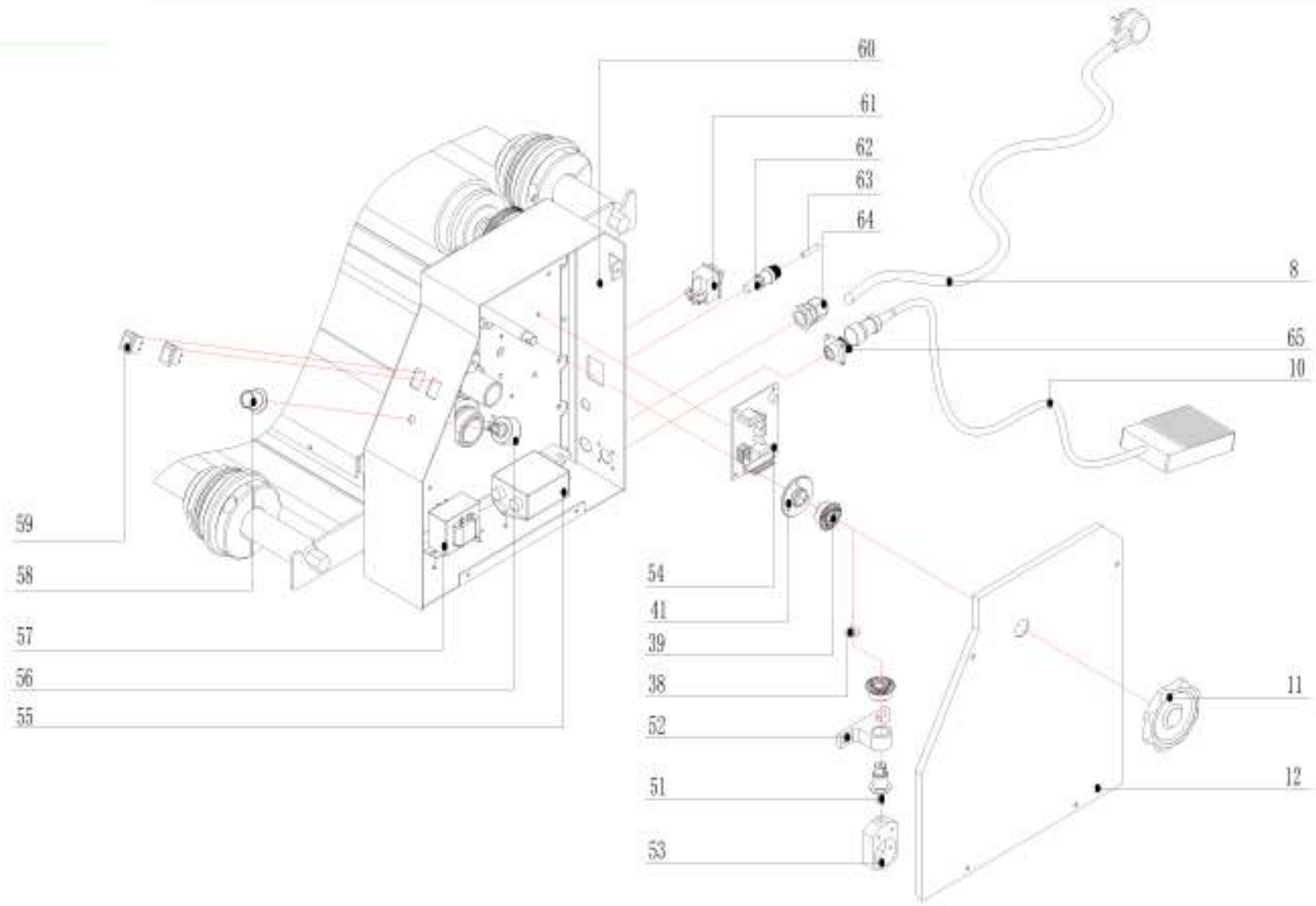
View 2 – Frame and stand




MyBinding.com
 5500 NE Moore Court
 Hillsboro, OR 97124
 Toll Free: 1-800-944-4573
 Local: 503-640-5920



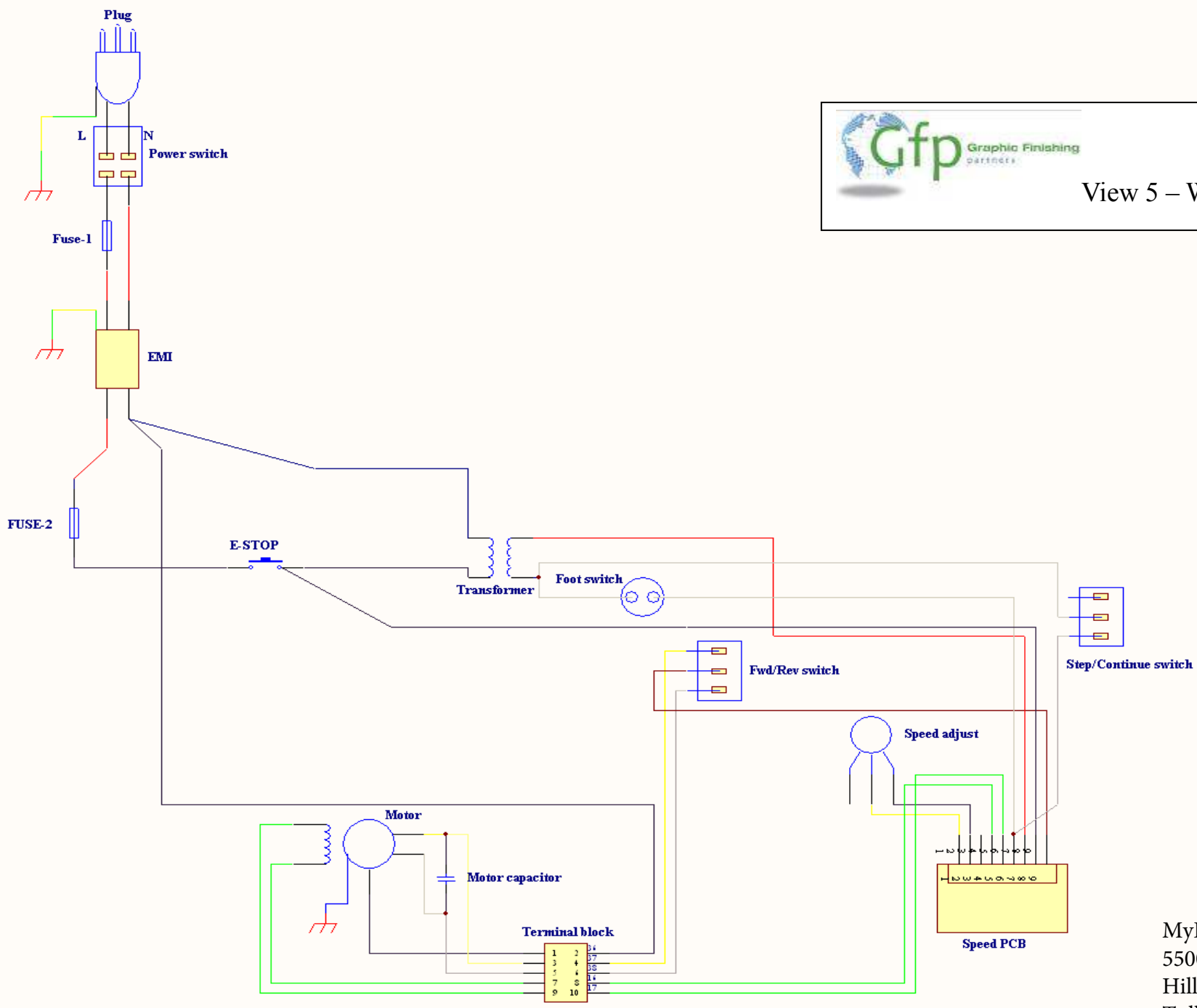
View 3 –Left side frame



MyBinding.com
 5500 NE Moore Court
 Hillsboro, OR 97124
 Toll Free: 1-800-944-4573
 Local: 503-640-5920



View 4 – Right side frame



MyBinding.com
 5500 NE Moore Court
 Hillsboro, OR 97124
 Toll Free: 1-800-944-4573
 Local: 503-640-5920