

***Cintra 4' x 6' Natural Cork
Bulletin Board with Aluminum
Radial Edge Euro-Style Frame***

Product Spec Sheet



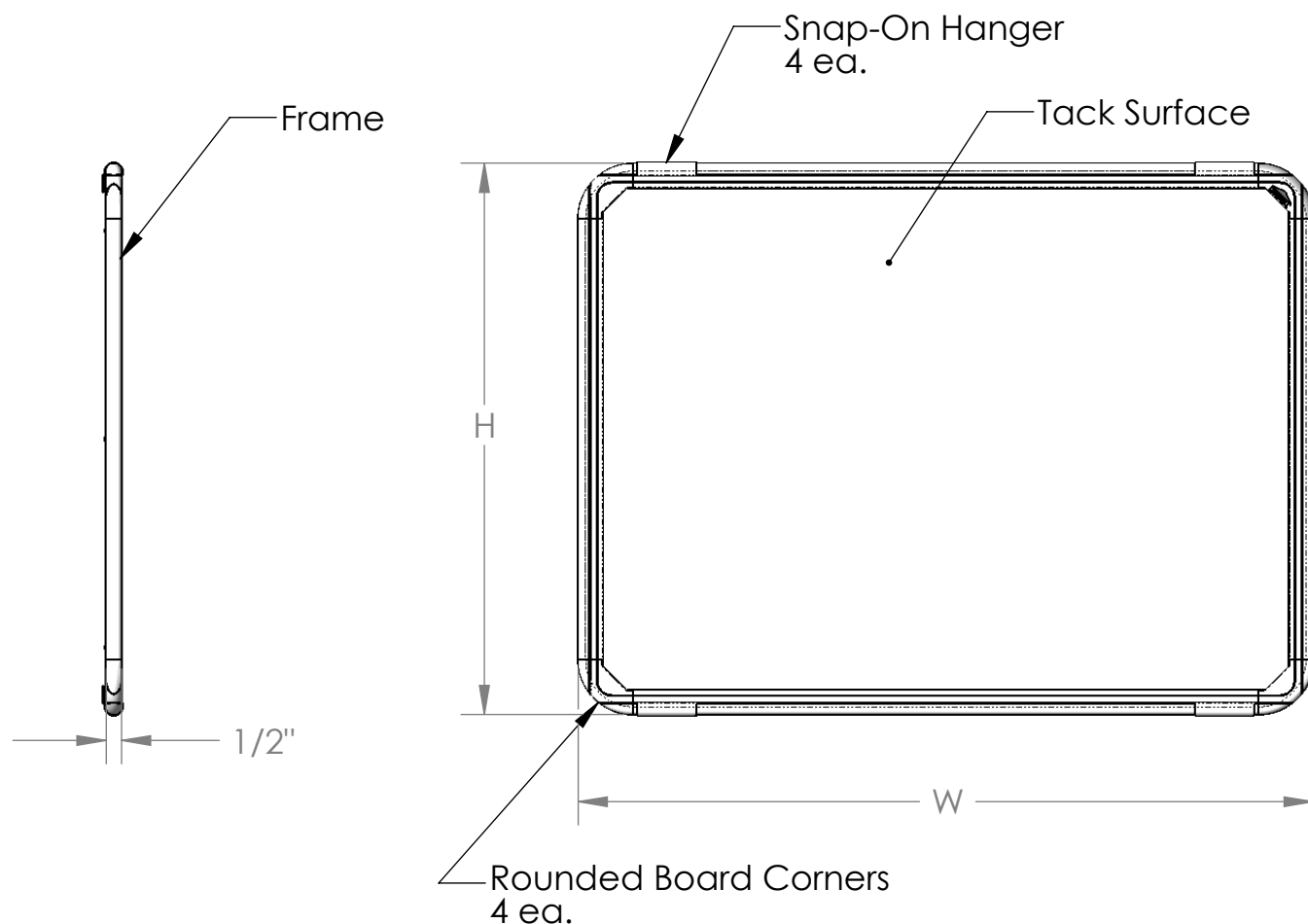
Provided by

MyBinding.com
When Image Matters.

Call Us at 1-800-944-4573

Cintra Cork Bulletin Boards

Product Specifications



Materials:

- Framing and Hangers: Silver anodized aluminum extrusion
- Board Corners: Grey molded plastic
- Tack Surface: 3/32" thick natural cork with a 1/32" thick metal backing

Features:

- Mounting fasteners (not included) are concealed after installation
- Available in 5 sizes*: 18" H x 24" W, 2'H x 3'W, 3'H x 4'W, 4'H x 6'W, and 4'H x 8'W
- Board is guaranteed for 10 years

Note:

- Indoor use only

** sizes are approximate*

MyBinding.com
5500 NE Moore Court
Hillsboro, OR 97124
Toll Free: 1-800-944-4573
Local: 503-640-5920